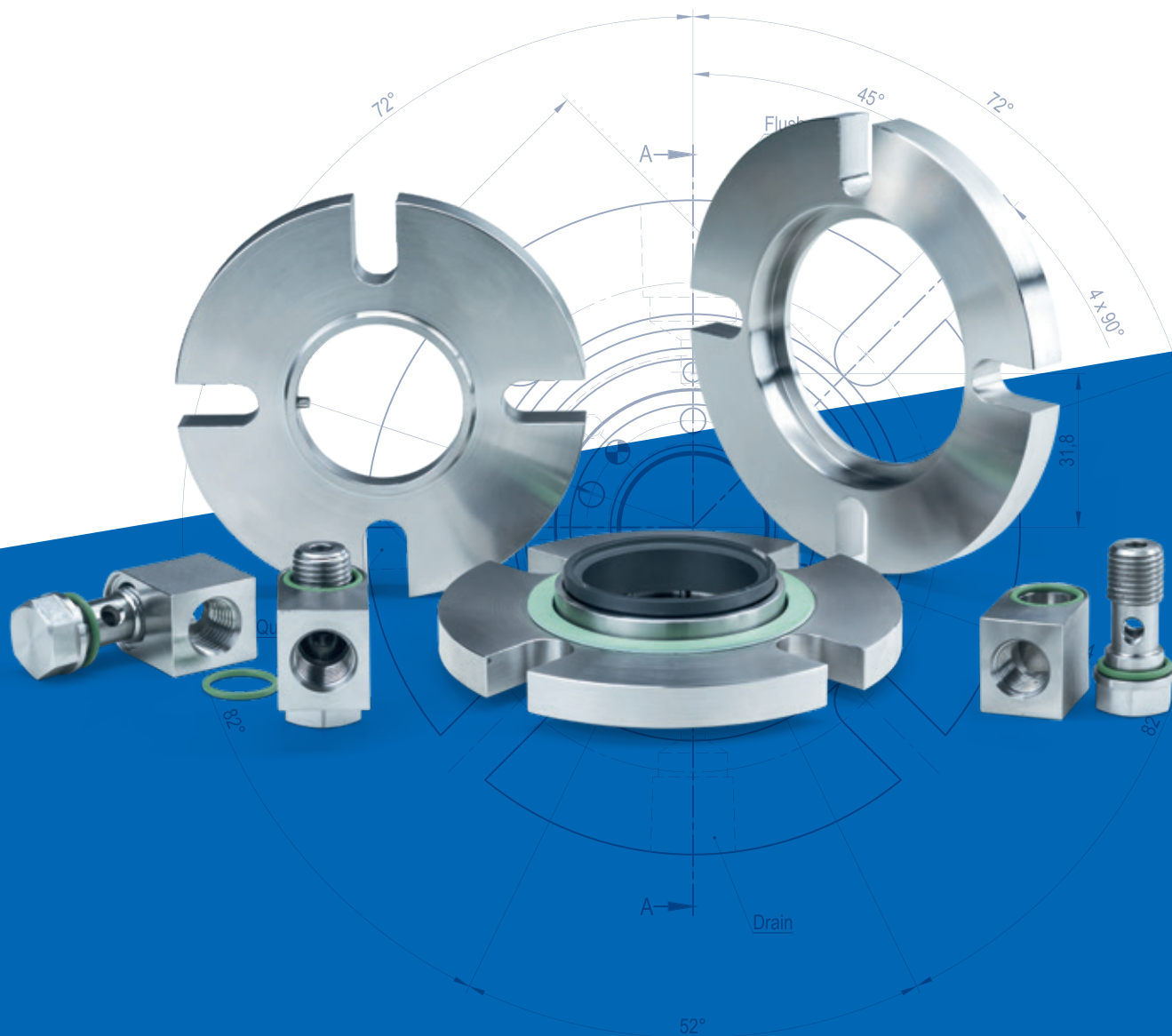




Types: 450, 451
500, 501, 510, 520
480, 481, 482, 490



Glands and adapter parts

www.depac.at

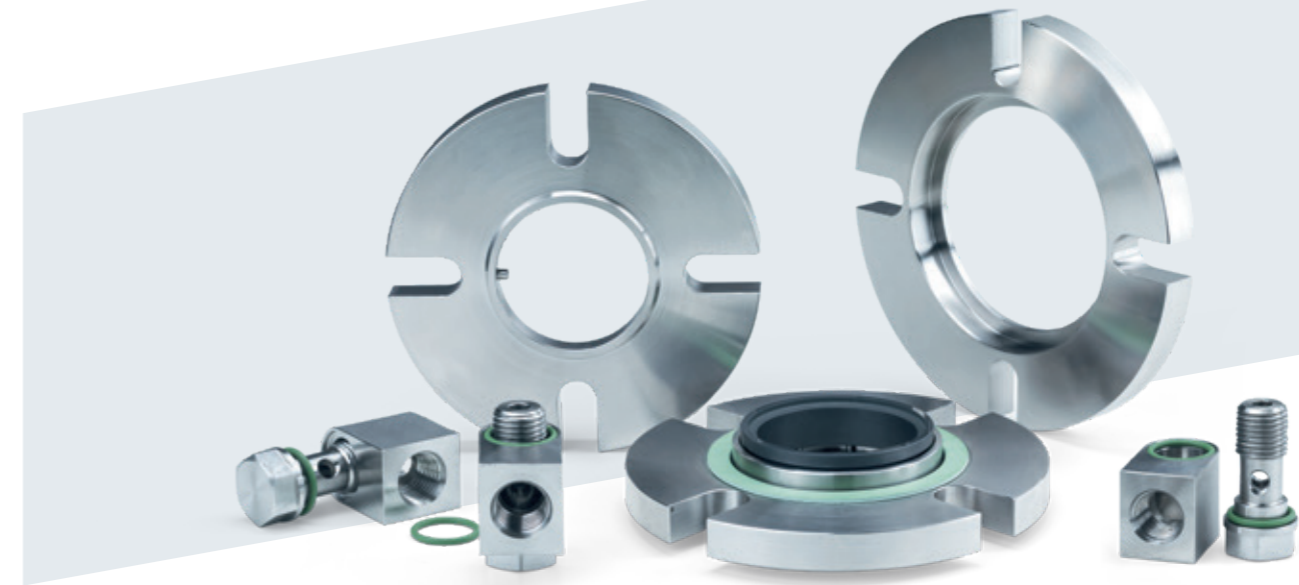


Table of contents

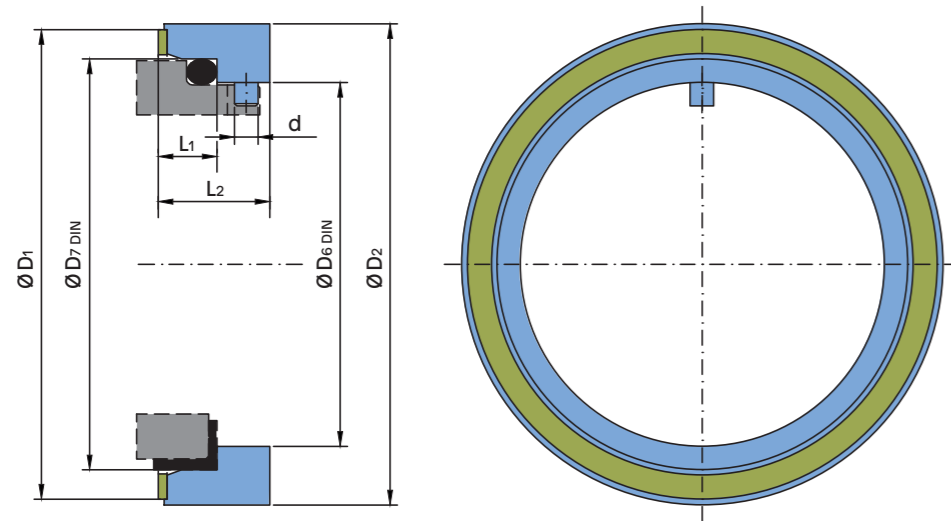
Type 450	S. 4
Type 451	S. 5
Type 500	S. 6
Type 501	S. 7
Type 510	S. 8
Type 520	S. 9
Type 480	S. 10
Type 481	S. 11
Type 482	S. 12
Type 490	S. 13

DEPAC glands and adapter parts – one range for every case!

The retainers, also referred as glands, must be selected in accordance with the selected stationary parts of component mechanical seals. DEPAC therefore offers a whole series of glands and adapter parts for the most diverse applications. The parts offered by DEPAC for this are mainly intended for the mounting of DEPAC stationary parts. The possibility to use them with other makes must be checked by means of a precise dimensional comparison.

With cartridge seals having a ¼" NPT connection on the gland, the connection directions for existing supply lines or the space conditions are not always ideal. In this case DEPAC offers the adjustable adapter part type 480 for an improved connection. Some mechanical seals from other manufacturers have no flushing connections. On the other hand, the design of various mechanical seals may mean that no flushing connection can be planned for on the gland. In order to give the customer a flushing option in these cases too, DEPAC offers the flush adapter type 490, which can be inserted between the pump housing and the mechanical seal housing. The special feature of this flush adapter is that it guarantees tangential flushing for both rotation directions of the shaft with a single ¼" NPT connection. DEPAC offers ideal and simple operating condition for mechanical seals with these parts.

Adapter part Type 450



Adapter type 450

- To fit stationary part types DS1 and DS4 according to EN 12756 | DIN 24960
- To fit gland type 510

Materials

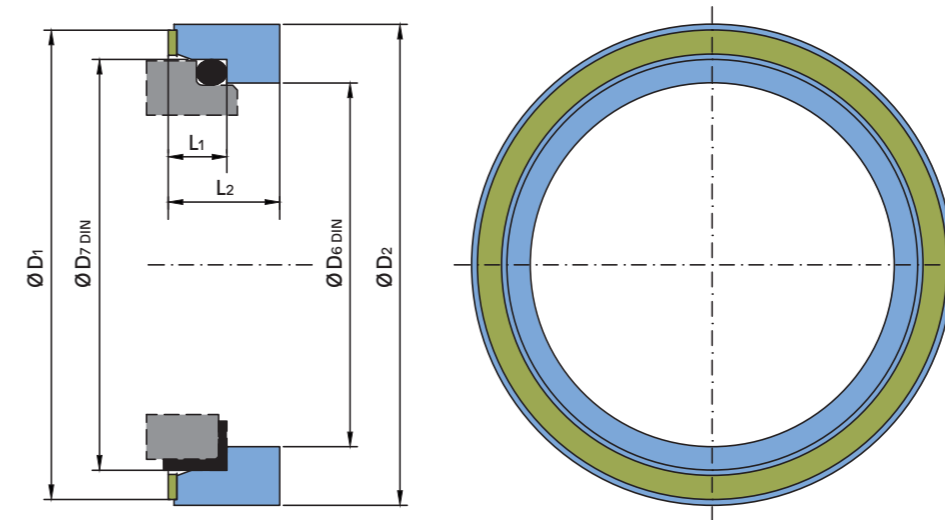
Metal: 1.4571
 Flat gasket: Klingersil® C4300
 Other materials on request!

Dimension table Ø 18 – 100 mm

Dh6	D1	D2	D6	D7	d	L1	L2
18	44,0	46,0	27,0	33,0	3,0	9,0	18,0
20	46,0	48,0	29,0	35,0	3,0	9,0	18,0
22	51,0	53,0	31,0	37,0	3,0	9,0	18,0
24	51,0	53,0	33,0	39,0	3,0	9,0	18,0
25	51,0	53,0	34,0	40,0	3,0	9,0	18,0
28	54,0	56,0	37,0	43,0	3,0	9,0	18,0
30	57,0	59,0	39,0	45,0	3,0	9,0	18,0
32	59,0	61,0	42,0	48,0	3,0	9,0	18,0
33	59,0	61,0	42,0	48,0	3,0	9,0	18,0
35	67,0	69,0	44,0	50,0	3,0	9,0	18,0
38	67,0	69,0	49,0	56,0	4,0	10,0	19,0
40	70,0	72,0	51,0	58,0	4,0	10,0	19,0
43	76,0	78,0	54,0	61,0	4,0	10,0	19,0
45	76,0	78,0	56,0	63,0	4,0	10,0	19,0

Dh6	D1	D2	D6	D7	d	L1	L2
48	80,0	82,0	59,0	66,0	4,0	10,0	19,0
50	80,0	82,0	62,0	70,0	4,0	10,5	19,5
53	92,0	94,0	65,0	73,0	4,0	10,5	19,5
55	92,0	94,0	67,0	75,0	4,0	10,5	19,5
60	96,0	98,0	72,0	80,0	4,0	10,5	19,5
63	96,0	98,0	75,0	83,0	4,0	10,5	19,5
65	102,0	104,0	77,0	85,0	4,0	10,5	19,5
70	105,0	107,0	83,0	92,0	4,0	11,5	20,5
75	112,0	114,0	88,0	97,0	4,0	11,5	20,5
80	122,0	124,0	95,0	105,0	4,0	12,0	21,0
85	122,0	124,0	100,0	110,0	4,0	12,0	21,0
90	128,0	130,0	105,0	115,0	4,0	12,0	21,0
95	131,0	133,0	110,0	120,0	4,0	12,0	21,0
100	141,0	143,0	115,0	125,0	4,0	12,0	21,0

Adapter part Type 451



Adapter type 451

- To fit stationary part types DS2, DS3 and DS4 according to EN 12756 | DIN 24960
- To fit gland type 510

Materials

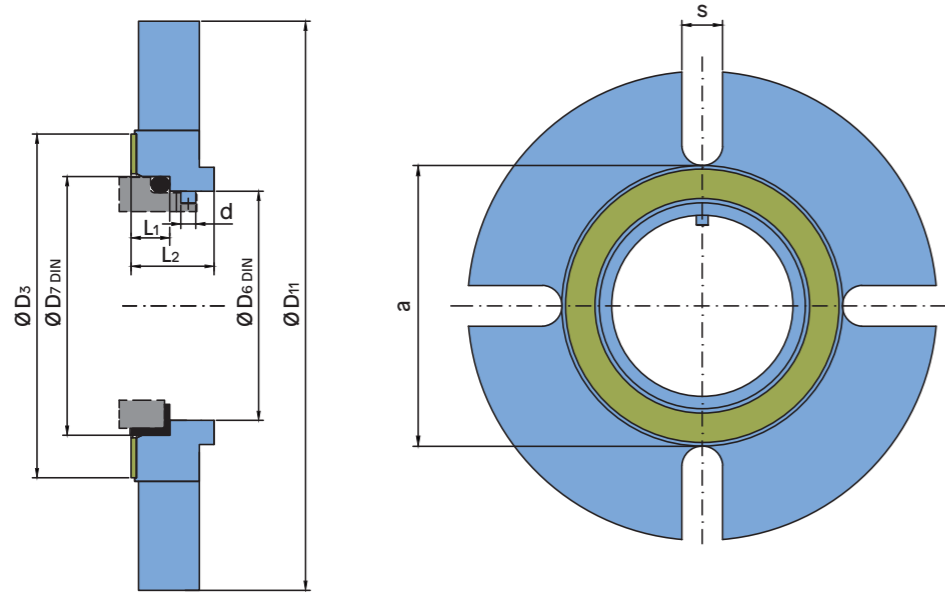
Metal: 1.4571
 Flat gasket: Klingersil® C4300
 Other materials on request!

Dimension table Ø 18 – 100 mm

Dh6	D1	D2	D6	D7	L1	L2
18	44,0	46,0	27,0	33,0	9,0	18,0
20	46,0	48,0	29,0	35,0	9,0	18,0
22	51,0	53,0	31,0	37,0	9,0	18,0
24	51,0	53,0	33,0	39,0	9,0	18,0
25	51,0	53,0	34,0	40,0	9,0	18,0
28	54,0	56,0	37,0	43,0	9,0	18,0
30	57,0	59,0	39,0	45,0	9,0	18,0
32	59,0	61,0	42,0	48,0	9,0	18,0
33	59,0	61,0	42,0	48,0	9,0	18,0
35	67,0	69,0	44,0	50,0	9,0	18,0
38	67,0	69,0	49,0	56,0	10,0	19,0
40	70,0	72,0	51,0	58,0	10,0	19,0
43	76,0	78,0	54,0	61,0	10,0	19,0
45	76,0	78,0	56,0	63,0	10,0	19,0

Dh6	D1	D2	D6	D7	L1	L2
48	80,0	82,0	59,0	66,0	10,0	19,0
50	80,0	82,0	62,0	70,0	10,5	19,5
53	92,0	94,0	65,0	73,0	10,5	19,5
55	92,0	94,0	67,0	75,0	10,5	19,5
60	96,0	98,0	72,0	80,0	10,5	19,5
63	96,0	98,0	75,0	83,0	10,5	19,5
65	102,0	104,0	77,0	85,0	10,5	19,5
70	105,0	107,0	83,0	92,0	11,5	20,5
75	112,0	114,0	88,0	97,0	11,5	20,5
80	122,0	124,0	95,0	105,0	12,0	21,0
85	122,0	124,0	100,0	110,0	12,0	21,0
90	128,0	130,0	105,0	115,0	12,0	21,0
95	131,0	133,0	110,0	120,0	12,0	21,0
100	141,0	143,0	115,0	125,0	12,0	21,0

Gland Type 500



Gland type 500

• To fit stationary part types DS1 and DS4 according to EN 12756 | DIN 24960

Materials

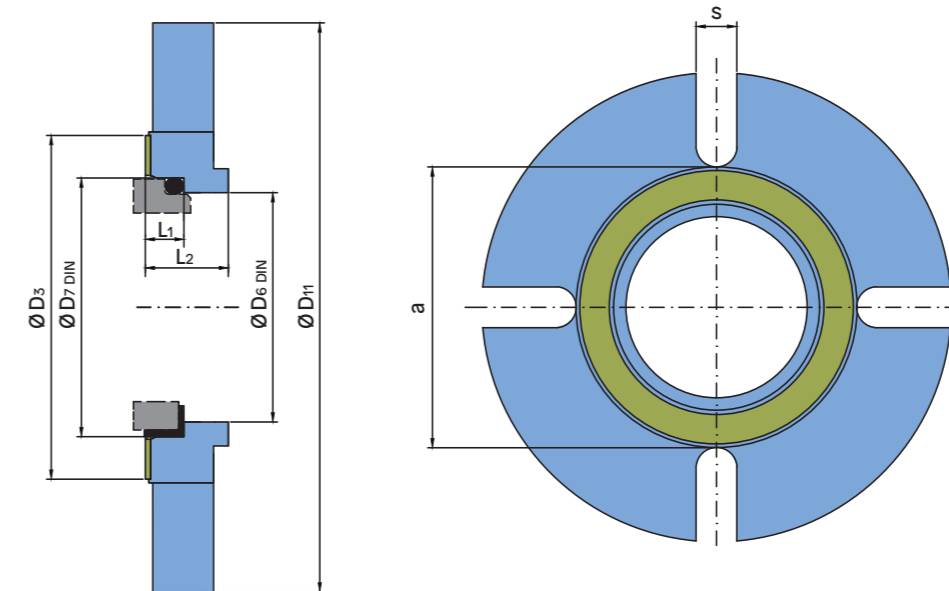
Metal: 1.4571
 Flat gasket: Klingersil® C4300
 Other materials on request!

Dimension table Ø 18 – 100 mm

Dh6	D3	D11	D6	D7	d	L1	L2	a	s
18	53,0	100,0	27,0	33,0	3,0	9,0	19,5	55,0	12,5
20	53,0	100,0	29,0	35,0	3,0	9,0	19,5	55,0	12,5
22	53,0	100,0	31,0	37,0	3,0	9,0	19,5	55,0	12,5
24	58,0	105,0	33,0	39,0	3,0	9,0	19,5	60,0	12,5
25	58,0	105,0	34,0	40,0	3,0	9,0	19,5	60,0	12,5
28	61,0	110,0	37,0	43,0	3,0	9,0	19,5	63,0	12,5
30	61,0	110,0	39,0	45,0	3,0	9,0	19,5	63,0	12,5
32	66,0	120,0	42,0	48,0	3,0	9,0	19,5	68,0	12,5
33	66,0	120,0	42,0	48,0	3,0	9,0	19,5	68,0	12,5
35	66,0	120,0	44,0	50,0	3,0	9,0	19,5	68,0	12,5
38	78,0	130,0	49,0	56,0	4,0	10,0	20,5	80,0	14,7
40	78,0	130,0	51,0	58,0	4,0	10,0	20,5	80,0	14,7
43	80,0	140,0	54,0	61,0	4,0	10,0	20,5	82,0	14,7
45	80,0	140,0	56,0	63,0	4,0	10,0	20,5	82,0	14,7

Dh6	D3	D11	D6	D7	d	L1	L2	a	s
48	86,0	150,0	59,0	66,0	4,0	10,0	20,5	88,0	14,7
50	86,0	150,0	62,0	70,0	4,0	10,5	21,0	88,0	14,7
53	94,0	160,0	65,0	73,0	4,0	10,5	21,0	96,0	14,7
55	94,0	160,0	67,0	75,0	4,0	10,5	21,0	96,0	14,7
60	94,0	160,0	72,0	80,0	4,0	10,5	21,0	96,0	14,7
63	108,0	170,0	75,0	83,0	4,0	10,5	21,0	110,0	17,5
65	108,0	170,0	77,0	85,0	4,0	10,5	21,0	110,0	17,5
70	108,0	170,0	83,0	92,0	4,0	11,5	22,0	110,0	17,5
75	120,0	180,0	88,0	97,0	4,0	11,5	22,0	122,0	17,5
80	128,0	200,0	95,0	105,0	4,0	12,0	22,5	130,0	17,5
85	128,0	200,0	100,0	110,0	4,0	12,0	22,5	130,0	17,5
90	140,0	210,0	105,0	115,0	4,0	12,0	22,5	142,0	21,5
95	140,0	210,0	110,0	120,0	4,0	12,0	22,5	142,0	21,5
100	150,0	220,0	115,0	125,0	4,0	12,0	22,5	142,0	21,5

Gland Type 501



Gland type 501

• To fit stationary part types DS2, DS3 and DS4 according to EN 12756 | DIN 24960

Materials

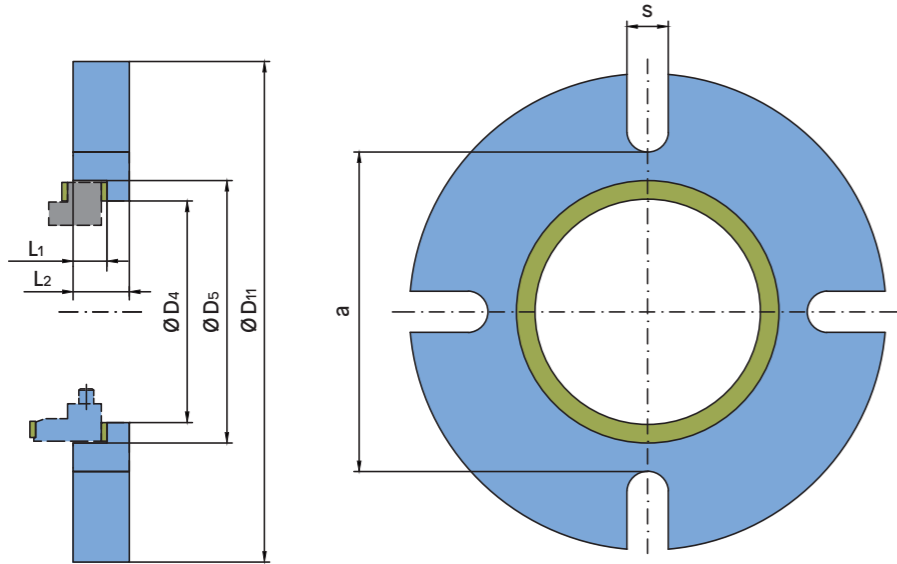
Metal: 1.4571
 Flat gasket: Klingersil® C4300
 Other materials on request!

Dimension table Ø 18 – 100 mm

Dh6	D3	D11	D6	D7	L1	L2	a	s
18	53,0	100,0	27,0	33,0	9,0	19,5	55,0	12,5
20	53,0	100,0	29,0	35,0	9,0	19,5	55,0	12,5
22	53,0	100,0	31,0	37,0	9,0	19,5	55,0	12,5
24	58,0	105,0	33,0	39,0	9,0	19,5	60,0	12,5
25	58,0	105,0	34,0	40,0	9,0	19,5	60,0	12,5
28	61,0	110,0	37,0	43,0	9,0	19,5	63,0	12,5
30	61,0	110,0	39,0	45,0	9,0	19,5	63,0	12,5
32	66,0	120,0	42,0	48,0	9,0	19,5	68,0	12,5
33	66,0	120,0	42,0	48,0	9,0	19,5	68,0	12,5
35	66,0	120,0	44,0	50,0	9,0	19,5	68,0	12,5
38	78,0	130,0	49,0	56,0	10,0	20,5	80,0	14,7
40	78,0	130,0	51,0	58,0	10,0	20,5	80,0	14,7
43	80,0	140,0	54,0	61,0	10,0	20,5	82,0	14,7
45	80,0	140,0	56,0	63,0	10,0	20,5	82,0	14,7

Dh6	D3	D11	D6	D7	L1	L2	a	s
48	86,0	150,0	59,0	66,0	10,0	20,5	88,0	14,7
50	86,0	150,0	62,0	70,0	10,5	21,0	88,0	14,7
53	94,0	160,0	65,0	73,0	10,5	21,0	96,0	14,7
55	94,0	160,0	67,0	75,0	10,5	21,0	96,0	14,7
60	94,0	160,0	72,0	80,0	10,5	21,0	96,0	14,7
63	108,0	170,0	75,0	83,0	10,5	21,0	110,0	17,5
65	108,0	170,0	77,0	85,0	10,5	21,0	110,0	17,5
70	108,0	170,0	83,0	92,0	11,5	22,0	110,0	17,5
75	120,0	180,0	88,0	97,0	11,5	22,0	122,0	17,5
80	128,0	200,0	95,0	105,0	12,0	22,5	130,0	17,5
85	128,0	200,0	100,0	110,0	12,0	22,5	130,0	17,5
90	140,0	210,0	105,0	115,0	12,0	22,5	142,0	21,5
95	140,0	210,0	110,0	120,0	12,0	22,5	142,0	21,5
100	150,0	220,0	115,0	125,0	12,0	22,5	142,0	21,5

Gland Type 510



Gland type 510

- To fit stationary part type DS7
- To fit adapter types 450 and 451

Materials

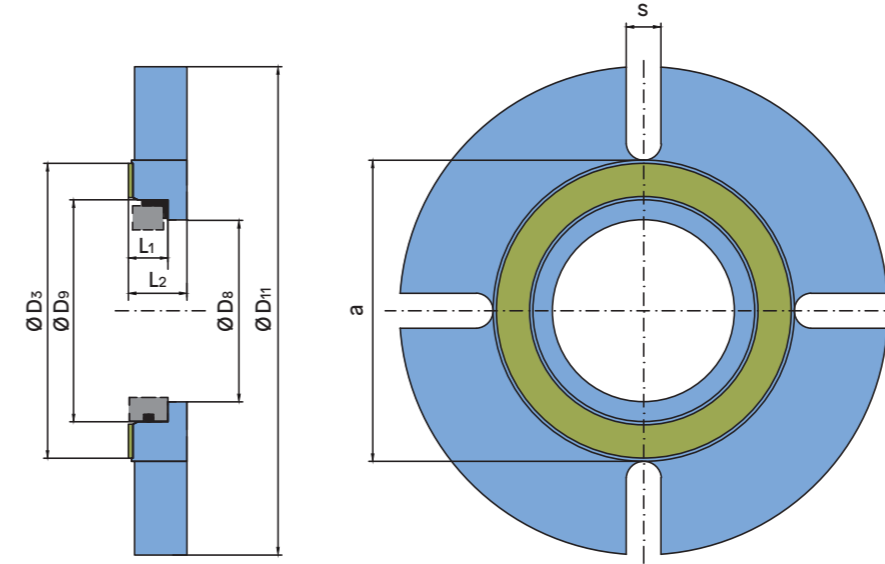
Metal: 1.4571
 Flat gasket: Klingersil® C4300
 Other materials on request!

Dimension table Ø 18 – 100 mm

Dh6	D4	D5	D11	L1	L2	a	s
18	33,0	46,5	100,0	11,5	15,0	55,0	12,5
20	37,0	48,5	100,0	11,5	15,0	55,0	12,5
22	-	-	100,0	11,5	15,0	55,0	12,5
24	42,0	53,5	105,0	11,5	15,0	60,0	12,5
25	42,0	53,5	105,0	11,5	15,0	60,0	12,5
28	45,0	56,5	110,0	11,5	15,0	63,0	12,5
30	45,0	56,5	110,0	11,5	15,0	63,0	12,5
32	50,0	59,5	120,0	11,5	15,0	68,0	12,5
33	50,0	59,5	120,0	11,5	15,0	68,0	12,5
35	52,0	61,5	120,0	11,5	15,0	68,0	12,5
38	59,0	69,5	130,0	11,5	15,0	80,0	14,7
40	61,0	72,5	130,0	11,5	15,0	80,0	14,7
43	66,0	78,5	140,0	11,5	15,0	82,0	14,7
45	66,0	78,5	140,0	11,5	15,0	82,0	14,7

Dh6	D4	D5	D11	L1	L2	a	s
48	71,0	82,5	150,0	11,5	15,0	88,0	14,7
50	71,0	82,5	150,0	11,5	15,0	88,0	14,7
53	76,0	94,5	160,0	11,5	15,0	96,0	14,7
55	76,0	94,5	160,0	11,5	15,0	96,0	14,7
60	86,0	98,5	160,0	11,5	15,0	96,0	14,7
63	88,0	104,5	170,0	11,5	15,0	110,0	17,5
65	91,0	107,5	170,0	11,5	15,0	110,0	17,5
70	92,0	111,5	170,0	11,5	15,0	110,0	17,5
75	95,0	114,5	180,0	11,5	15,0	122,0	17,5
80	99,0	116,5	200,0	11,5	15,0	130,0	17,5
85	105,0	124,5	200,0	11,5	15,0	130,0	17,5
90	111,0	130,5	210,0	11,5	15,0	142,0	21,5
95	115,0	133,5	210,0	11,5	15,0	142,0	21,5
100	124,0	143,5	220,0	11,5	15,0	142,0	21,5

Gland Type 520



Gland type 520

- To fit stationary part types DS6 and DS8

Materials

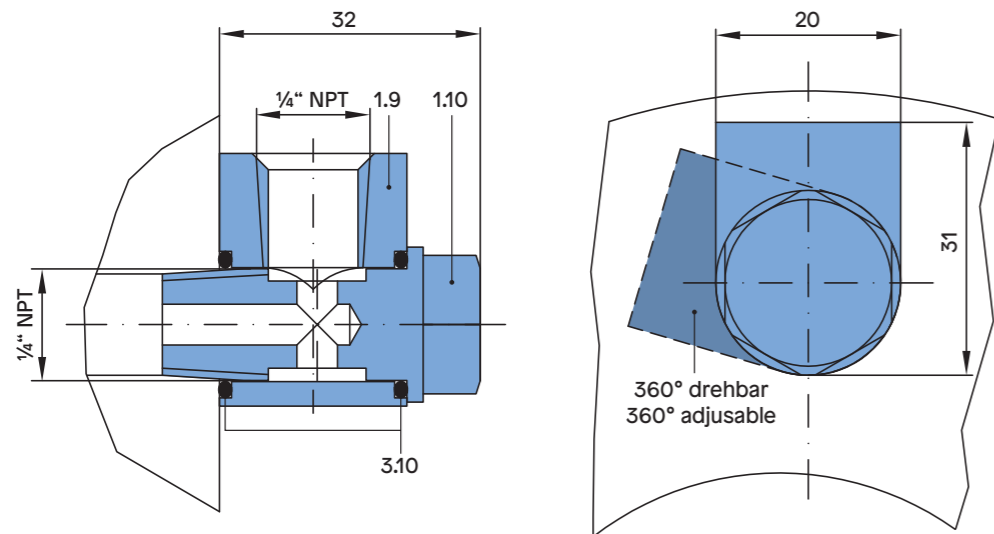
Metal: 1.4571
 Flat gasket: Klingersil® C4300
 Other materials on request!

Dimension table Ø 18 – 100 mm

Dh6	D3	D9	D8	D11	L1	L2	a	s
18	34,15	53,0	21,0	100,0	12,5	17,0	55,0	12,5
20	35,70	53,0	22,0	100,0	12,5	17,0	55,0	12,5
22	37,30	53,0	25,0	100,0	12,5	17,0	55,0	12,5
24	40,50	58,0	28,0	105,0	12,5	17,0	60,0	12,5
25	40,50	58,0	28,0	105,0	12,5	17,0	60,0	12,5
28	47,65	61,0	31,0	110,0	12,5	17,0	63,0	12,5
30	50,80	61,0	34,0	110,0	12,5	17,0	63,0	12,5
32	50,80	66,0	34,0	120,0	12,5	17,0	68,0	12,5
33	54,00	66,0	37,0	120,0	12,5	17,0	68,0	12,5
35	54,00	66,0	37,0	120,0	12,5	17,0	68,0	12,5
38	57,15	78,0	41,0	130,0	12,5	18,0	80,0	14,7
40	60,35	78,0	44,0	130,0	13,5	18,0	80,0	14,7
43	63,50	80,0	48,0	140,0	13,5	18,0	82,0	14,7
45	63,50	80,0	48,0	140,0	13,5	18,0	82,0	14,7

Dh6	D3	D9	D8	D11	L1	L2	a	s
48	66,70	86,0	51,0	150,0	13,5	18,0	88,0	14,7
50	69,85	86,0	53,0	150,0	13,5	18,5	88,0	14,7
53	73,05	94,0	57,0	160,0	14,5	18,5	96,0	14,7
55	76,20	94,0	60,0	160,0	14,5	18,5	96,0	14,7
60	79,40	94,0	63,0	160,0	14,5	18,5	96,0	14,7
63	82,55	108,0	66,0	170,0	14,5	18,5	110,0	17,5
65	92,10	108,0	69,0	170,0	15,5	18,5	110,0	17,5
70	95,25	108,0	73,0	170,0	15,5	19,5	110,0	17,5
75	101,60	120,0	79,0	180,0	15,5	19,5	122,0	17,5
80	114,30	128,0	86,0	200,0	17,0	20,0	130,0	17,5
85	117,50	128,0	89,0	200,0	17,0	20,0	130,0	17,5
90	123,85	140,0	94,0	210,0	17,0	20,0	142,0	21,5
95	127,00	140,0	98,0	210,0	17,0	20,0	142,0	21,5
100	133,35	150,0	105,0	220,0	17,0	20,0	152,0	21,5

Angled connection Type 480



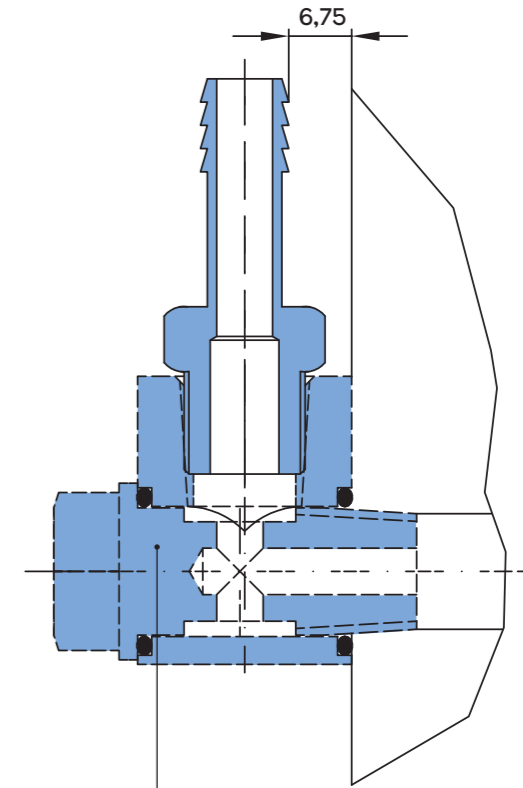
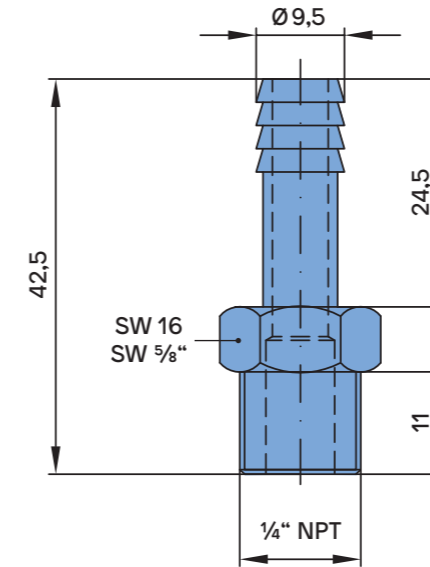
Angled connection type 480

- To fit all mechanical seals with 1/4" NPT connection
- 360° rotatable
- To fit type 481 threaded sleeve
- To fit type 482 screw-in connector

Bill of materials

Position	Beschreibung	Material
1.10	Adapter screw	1.4571
1.9	Adapter	1.4571
3.10	O-ring	FKM, EPDM, PTFE

Threaded sleeve Type 481



DEPAC angled connection type 480

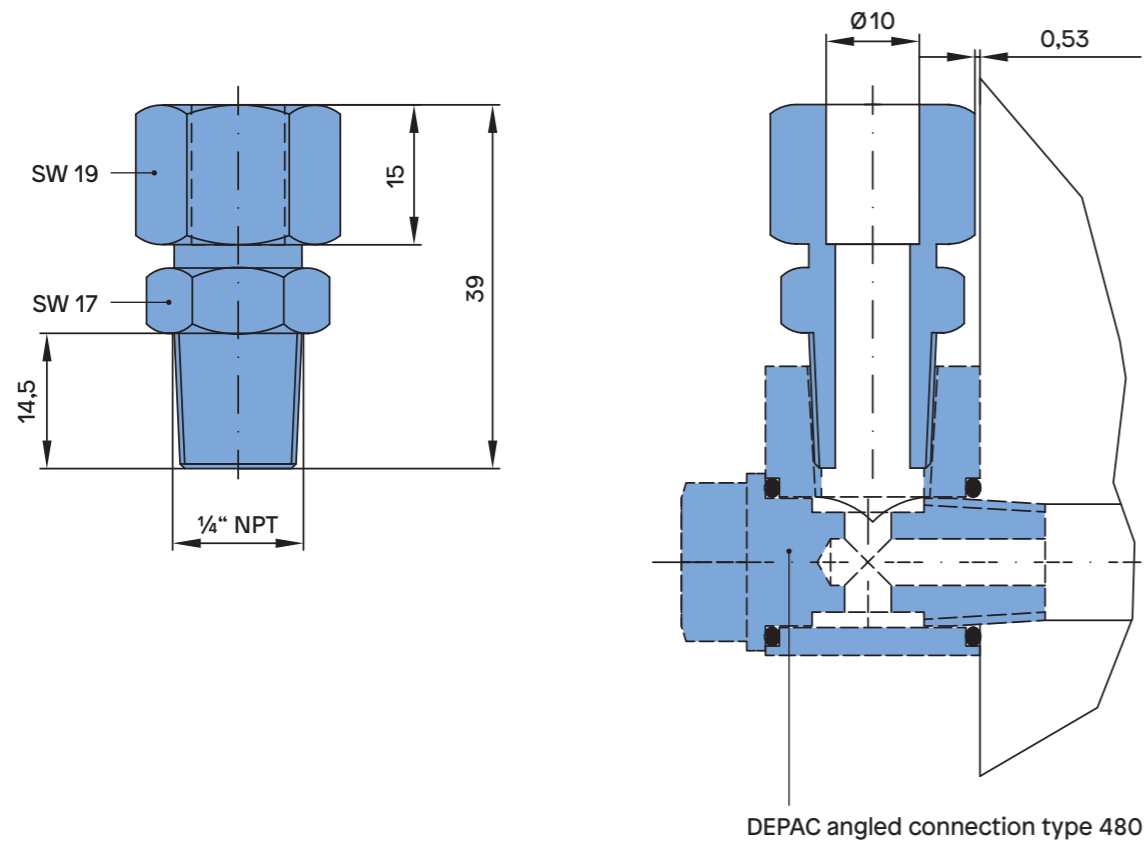
Threaded sleeve type 481

- To fit all mechanical seals with 1/4" NPT connection
- To fit angled connection type 480

Material

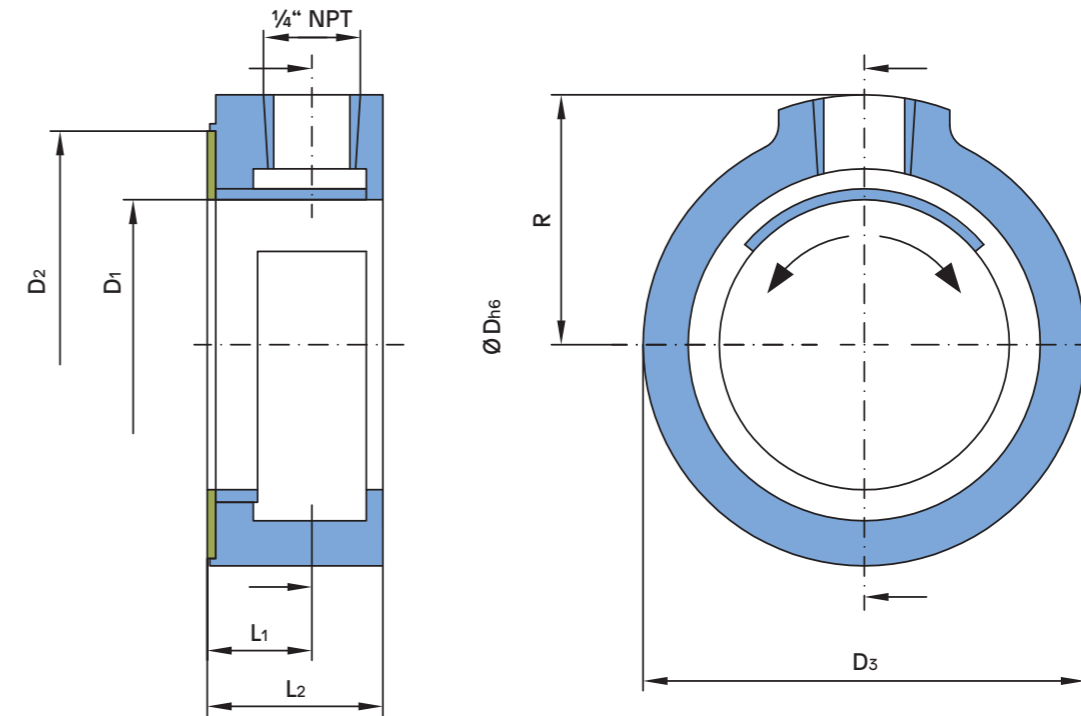
Metal: 1.4408

Screw-in connector Type 482



DEPAC angled connection type 480

Flush adapter Type 490



1/4" NPT tangential flush adapter type 490

- Guarantees tangential flushing for both rotation directions of the shaft

Materials

Metal:	1.4571
Flat gasket:	Klingersil® C4300
	Other materials on request!

Screw-in connector type 482

- To fit all mechanical seals with 1/4" NPT connection
- To fit angled connection type 480

Materials

Metal:	1.4571
--------	--------

Dimension table Ø 24 – 100 mm

Dh6	D1	D2	D3	R	L1	L2
24	45,0	58,0	60,0	38,0	13	21
25	45,0	58,0	60,0	38,0	13	21
28	48,0	58,0	60,0	38,0	13	21
30	50,0	65,0	67,0	42,0	13	21
32	51,0	65,0	67,0	42,0	13	21
33	51,0	65,0	67,0	42,0	13	21
35	55,0	65,0	67,0	42,0	13	21
38	58,0	73,0	75,0	44,0	13	21
40	60,0	73,0	75,0	44,0	13	21
43	63,0	80,0	82,0	49,0	13	21
45	65,0	80,0	82,0	49,0	13	21
48	68,0	80,0	82,0	49,0	13	21
50	70,0	80,0	82,0	49,0	13	21

Dh6	D1	D2	D3	R	L1	L2
53	73,0	90,0	92,0	53,0	13	21
55	75,0	90,0	92,0	53,0	13	21
60	80,0	98,0	100,0	57,0	13	21
63	83,0	98,0	100,0	57,0	13	21
65	85,0	98,0	100,0	57,0	13	21
70	90,0	110,0	112,0	59,0	13	21
75	103,0	126,0	128,0	64,0	13	21
80	108,0	131,0	133,0	66,5	13	21
85	113,0	136,0	138,0	69,0	13	21
90	118,0	141,0	143,0	71,5	13	21
95	123,0	146,0	148,0	74,0	13	21
100	128,0	151,0	153,0	76,5	13	21



Mechanical seals
Packings
Hydraulic seals
Workshop
Comtec

DEPAC Anstalt
Wirtschaftspark 44, FL-9492 Eschen
T +423 373 9700, F +423 373 9719
office@depac-fl.com, www.depac.at

Your authorized DEPAC dealer:

E200836