



Mechanical seal Type 140

Mechanical seal Type 140



The DEPAC type 140 is an externally mounted, dynamic single-component seal. Externally mounted mechanical seals are the solution where there is little space in the seal chamber, in addition to which no metal comes into contact with the medium that is to be sealed. The DEPAC type 140 is therefore a cost-effective variant for aggressive media. The balancing results in lower face friction and thus less wear, which is reflected by an optimisation of the service life. The DEPAC type 140 is ideally combined with the gland type 510 and the stationary part DS7.

Advantages

- Mounted outside
- No metal parts in contact with the medium
- No set screws
- Pressure balanced
- Independent of the direction of rotation
- Multiple springs made of Hastelloy C
- Springs outside the medium - no blockage of the springs
- Simple mounting

Mechanical seal Type 140

Technical specifications

Area of application*

Pressure:	700 mmHg to 30 bar
Temperature:	depending on elastomer
Sliding speed:	up to 25 m/s
Shaft movements:	axial ± 1.0 mm radial ± 1.0 mm

* The maximum specifications for temperature, pressure and sliding speed apply in each case to independent higher operating conditions. However, this does not mean that the seal will function with all extreme conditions at the same time. If in doubt contact DEPAC.

Dimensions

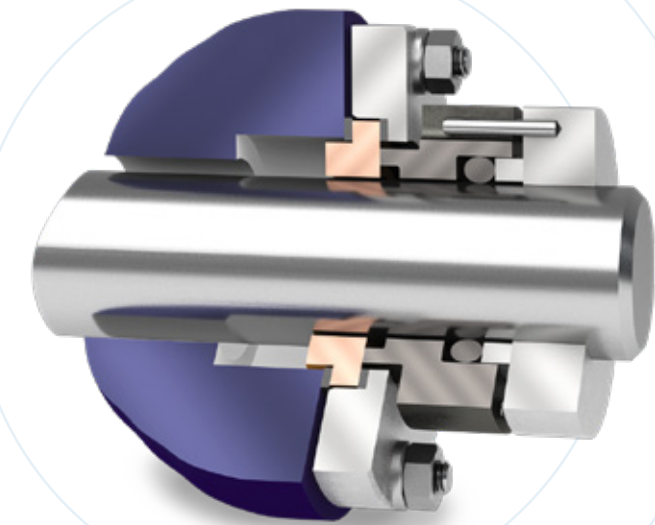
Shaft diameter:	24 – 160 mm $\frac{3}{4}$ " – 4" Special sizes on request
-----------------	---

Bill of materials

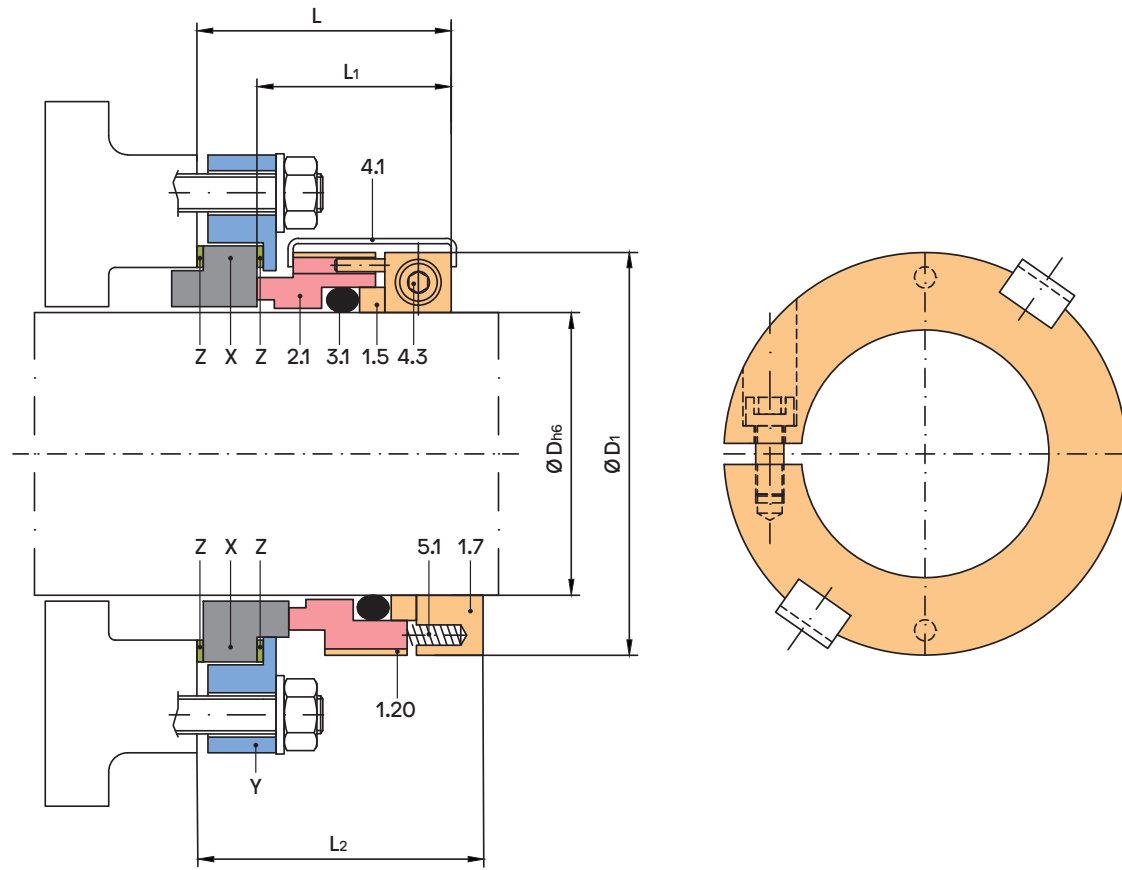
Item	Description	Material
1.20*	Metal band	1.4571
1.5	Thrust ring	1.4571
1.7	Retainer	1.4571
2.1	Dynamic seal face	CA/SC/SSIC/TC
3.1	O-ring	FKM, EPDM, Kalrez®, PTFE,...
4.1	Mounting clamp	1.4571
4.3	Socket screw	A2
5.1	Spring	2.4610
X**	Stationary part type DS7	SC/SSIC/TC
Y**	Gland type 510	1.4571
Z**	Flat gasket	Klingersil® C-4300

* Only with dynamic seal face made of CA
**Not included in the scope of delivery

Other materials on request!



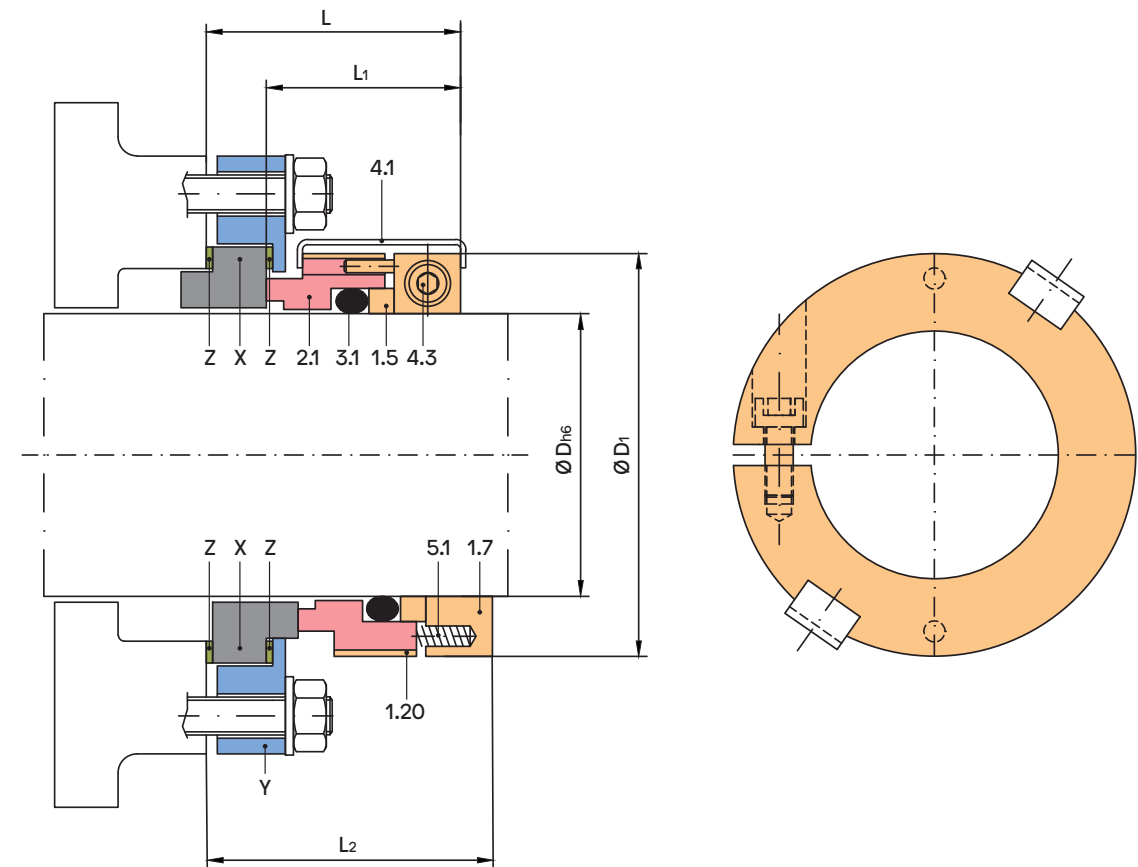
Mechanical seal Type 140



Dimension table Ø 24 – 100 mm

Dh6	D1	L	L1	L2	O-ring DASH no.
24	51	49	38	55	318
25	52	49	38	55	318
28	55	49	38	55	320
30	57	49	38	55	321
32	59	49	38	55	323
33	60	49	38	55	323
35	62	49	38	55	324
38	65	49	38	55	325
40	67	49	38	55	326
43	70	49	38	55	327
45	72	49	38	55	327

Mechanical seal Type 140



Dimension table Ø 105 – 160 mm

Dh6	D1	L	L1	L2	O-ring DASH no.
105	135	67	47	73	346
110	140	67	47	73	348
115	145	67	47	73	350
120	150	67	47	73	351
125	155	67	47	73	353
130	160	67	47	73	354
135	165	67	47	73	356
140	170	67	47	73	357
145	175	67	47	73	359
150	180	67	47	73	361
155	185	67	47	73	362
160	190	67	47	73	362



Mechanical seals
Packings
Hydraulic seals
Workshop
Comtec

DEPAC Anstalt
Wirtschaftspark 44, FL-9492 Eschen
T +423 373 9700, F +423 373 9719
office@depac-fl.com, www.depac.at

Your authorized DEPAC dealer:

E200836