



Mechanical seal Type 196



The DEPAC type 196 is a stationary, pressure balanced, single-component seal that was specially developed for installation spaces according to DIN 24960 / EN12756. The stationary design guarantees the best possible running conditions and entirely rules out scoring of the shaft. The pressure balancing results in lower face friction and thus less wear, which is reflected by an optimisation of the service life.

DEPAC also offers these mechanical seals in larger dimensions than the standard sizes indicated in the standard. The mechanical seal can be combined with popular retainers, glands and adapter parts.

Advantages

- Stationary design principle
- No scoring of the shaft or shaft sleeve
- Fits installation spaces according to DIN 24960 / EN12756
- Pressure balanced
- Independent of the direction of rotation
- Multiple springs made of Hastelloy C
- Springs outside the medium - no blockage of the springs
- No stepped sleeve required for the pressure balancing

Mechanical seal Type 196

Technical specifications

Area of application*

Pressure:	700 mmHg to 30 bar		
Temperature:	depending on elastomer		
Sliding speed:	up to 30 m/s		
Shaft movements:	Shaft Ø	axial	radial
	≤ Ø 25	± 0,5 mm	± 0,25 mm
	≥ Ø 28 ≤ Ø 38	± 0,5 mm	± 0,4 mm
	≥ Ø 40 ≤ Ø 48	± 0,5 mm	± 0,5 mm
	≥ Ø 50	± 1 mm	± 0,5 mm

* The maximum specifications for temperature, pressure and sliding speed apply in each case to independent higher operating conditions. However, this does not mean that the seal will function with all extreme conditions at the same time. If in doubt contact DEPAC.

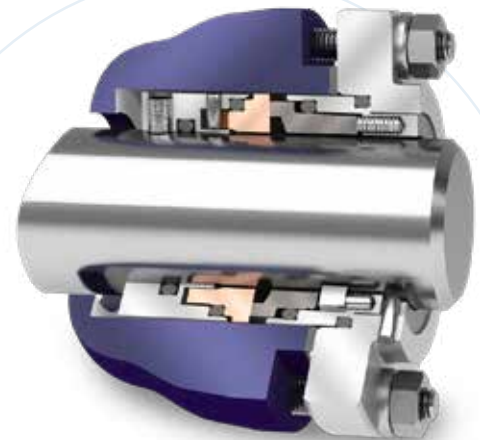
Dimensions

Shaft diameter:	16 – 100 mm
	¾" – 4"
	Special sizes on enquiry

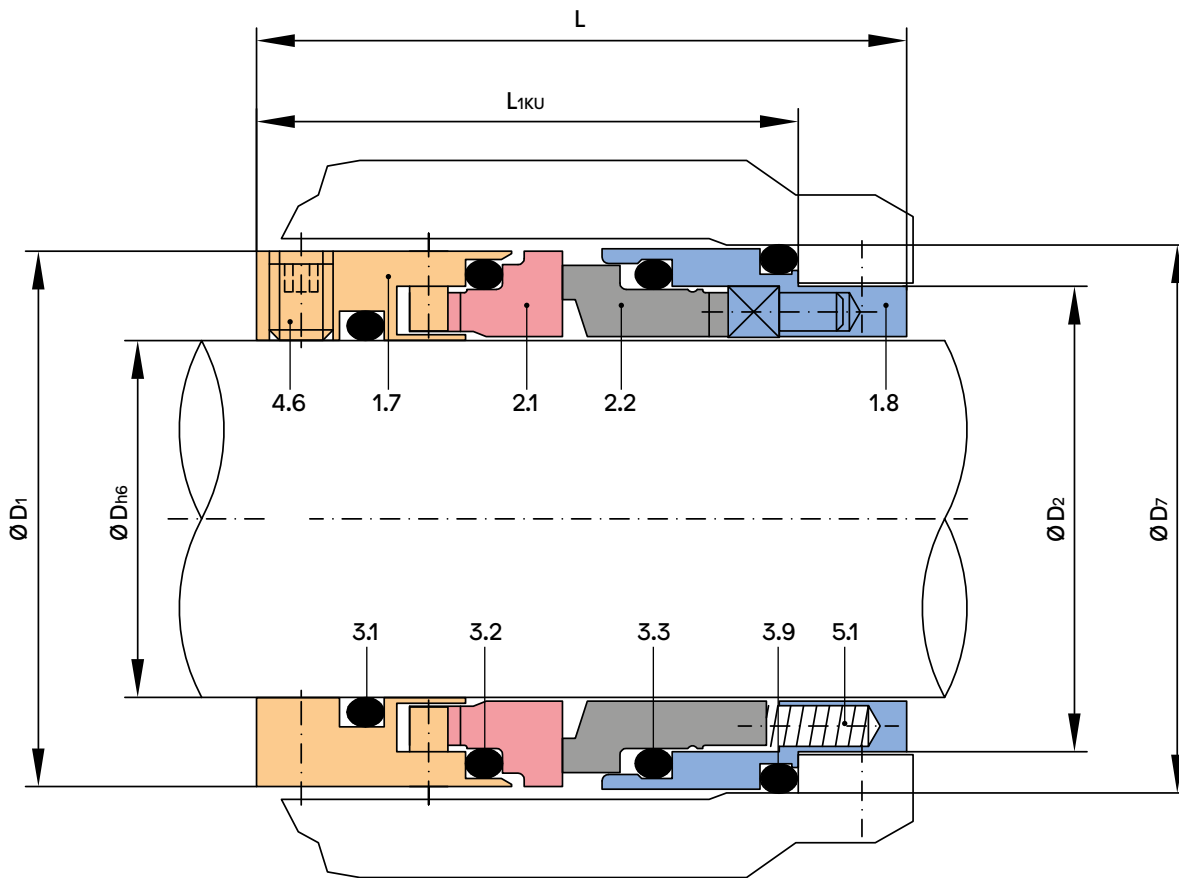
Bill of materials

Item	Description	Material
1.7	Dynamic retainer	1.4571
1.8	Stationary retainer	1.4571
2.1	Dynamic seal face	SC/SSIC/TC
2.2	Stationary seal face	CA/SC/SSIC/TC
3.1, 3.2 3.3, 3.9	O-ring	FKM, EPDM, Kalrez®, PTFE,...
4.6	Threaded pin	A4
5.1	Spring	2.4610

Other materials on request!



Mechanical seal Type 196



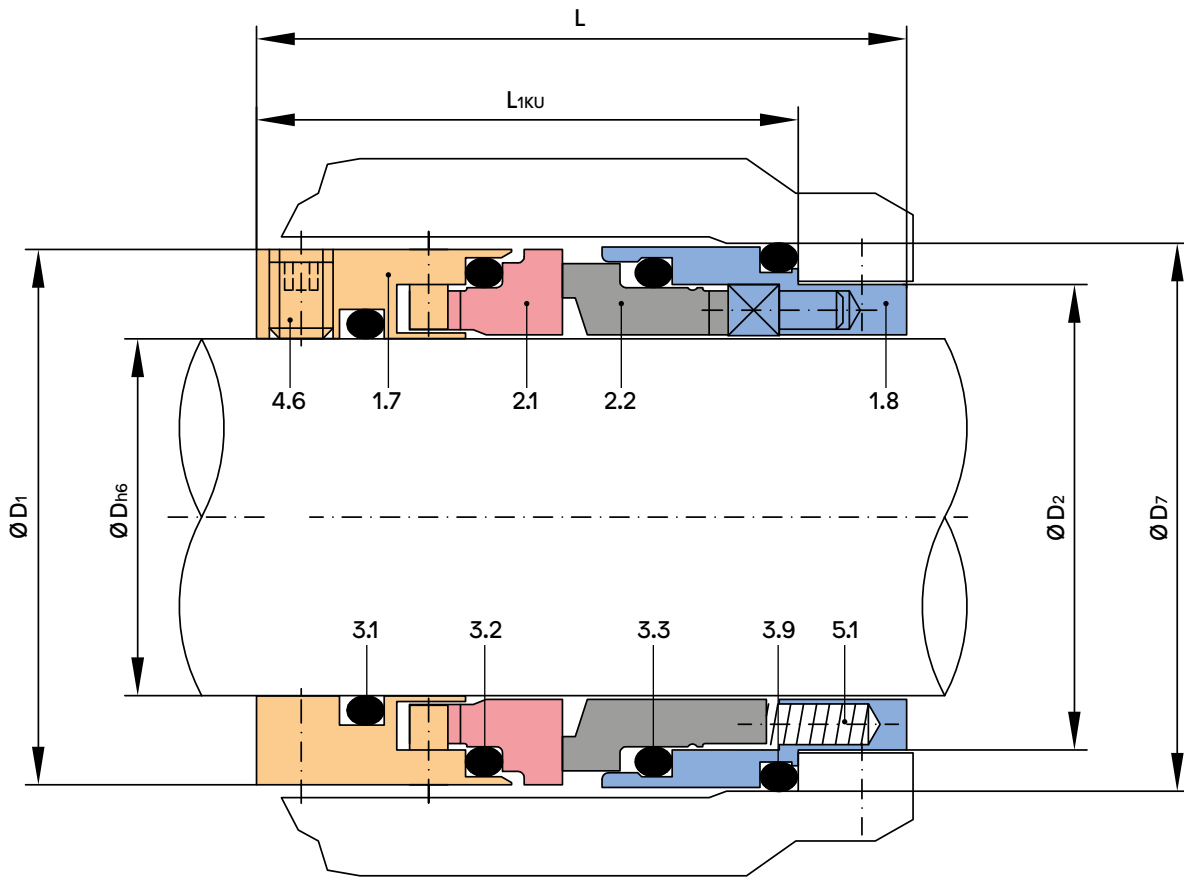
Dimension table Ø 16 – 100 mm

Dh6	D1	D2	D7	L1KU	L	O-rings DASH no.			
						3.1	3.2	3.3	3.9
16*	30	24,5*	31*	37,5*	45*	017	119	119	120
18	32	26,5	33	37,5	45	018	120	120	122
20	34	28,5	35	37,5	45	019	121	122	123
22	36	30,5	37	37,5	45	020	123	123	124
24	38	32,5	39	40	47,5	021	124	124	126
25	39	33,5	40	40	47,5	022	125	125	126
28	42	36,5	43	42,5	51	122	126	127	128
30	44	38,5	45	42,5	51	123	128	128	129
32	46	41,5	48	42,5	51	125	129	129	131
33	47	41,5	48	42,5	51	125	129	130	131
35	49	43,5	50	42,5	51	126	131	131	132
38	53,5	48,5	56	45	53,5	222	133	134	225
40	55,5	50,5	58	45	53,5	223	135	135	226
42	57,5	52,5	60	45	53,5	224	136	137	226
43	58,5	53,5	61	45	53,5	224	137	137	227
45	60,5	55,5	63	45	53,5	224	138	138	228

Dh6	D1	D2	D7	L1KU	L	O-rings DASH no.			
						3.1	3.2	3.3	3.9
48	63,5	58,5	66	45	53,5	226	140	140	229
50	65,5	61,5	70	47,5	56	226	141	229	230
53	68,5	64,5	73	47,5	56	227	143	230	231
55	70,5	66,5	75	47,5	56	228	144	230	231
58	73,5	69,5	78	52,5	61	229	146	231	232
60	75,5	71,5	80	52,5	61	229	147	232	233
63	78,5	74,5	83	52,5	61	230	149	233	234
65	80,5	76,5	85	52,5	61	231	150	233	234
70	85,5	82,5	92	60	68,5	233	151	235	237
75	90,5	87,5	97	60	68,5	234	152	236	238
80	101	94,2	105	60	68,5	236	239	239	241
85	106	99,2	110	60	68,5	237	240	241	242
90	111	104,2	115	65	73,5	239	242	242	244
95	116	109,2	120	65	73,5	240	244	244	246
100	121	114,2	125	65	73,5	242	245	245	247

* Does not correspond to the installation dimensions of the standard.

Mechanical seal Type 196



Dimension table Ø ¾ – 4 inch

Dh6	D1	D2	D7	L1KU	L	O-rings DASH no.			
						3.1	3.2	3.3	3.9
¾	1,339	1,122	1,378	1,476	1,476	018	121	122	123
⅞	1,417	1,201	1,457	1,476	1,772	021	123	123	124
15/16	1,496	1,280	1,535	1,575	1,870	021	124	124	126
1	1,654	1,437	1,693	1,673	2,008	120	126	127	128
1 1/8	1,732	1,516	1,772	1,673	2,008	122	128	128	129
1 1/4	1,811	1,634	1,890	1,673	2,008	124	129	129	131
1 3/8	1,929	1,713	1,969	1,673	2,008	126	131	131	132
1 1/2	2,106	1,909	2,205	1,772	2,106	222	133	134	225
1 5/8	2,303	2,106	2,402	1,772	2,106	223	137	137	227
1 3/4	2,382	2,185	2,480	1,772	2,106	224	138	138	228
1 7/8	2,500	2,303	2,598	1,772	2,106	226	140	140	229
2	2,697	2,539	2,874	1,870	2,205	226	143	230	231
2 1/8	2,776	2,618	2,953	1,870	2,205	227	144	230	231
2 1/4	2,894	2,736	3,071	2,067	2,402	229	146	231	232
2 3/8	3,091	2,933	3,268	2,067	2,402	229	149	233	234
2 1/2	3,169	3,012	3,346	2,067	2,402	230	150	233	235

Dh6	D1	D2	D7	L1KU	L	O-rings DASH no.			
						3.1	3.2	3.3	3.9
2 5/8	3,366	3,248	3,622	2,362	2,697	231	151	235	237
2 3/4	3,366	3,248	3,622	2,362	2,697	232	151	235	237
2 7/8	3,563	3,445	3,819	2,362	2,697	233	152	236	238
3	3,976	3,709	4,134	2,362	2,697	235	239	239	241
3 1/8	3,976	3,709	4,134	2,362	2,697	236	239	239	241
3 1/4	4,173	3,906	4,331	2,362	2,697	237	240	241	242
3 3/8	4,370	4,102	4,528	2,559	2,894	238	242	242	244
3 1/2	4,370	4,102	4,528	2,559	2,894	239	242	242	244
3 5/8	4,567	4,299	4,724	2,559	2,894	240	244	244	246
3 3/4	4,764	4,496	4,921	2,559	2,894	241	245	245	247
3 7/8	4,764	4,496	4,921	2,559	2,894	242	245	245	247
4	4,921	4,693	5,118	2,559	2,894	243	246	247	250



Mechanical seals
Packings
Hydraulic seals
Workshop
Comtec

DEPAC Anstalt
Wirtschaftspark 44, FL-9492 Eschen
T +423 373 9700, F +423 373 9719
office@depac-fl.com, www.depac.at

Your authorized DEPAC dealer:

B200836