



Types: 321, 321R
322, 322K, 322R, 323
323R, 326, 365



Double-acting cartridge mechanical seals

www.depac.at

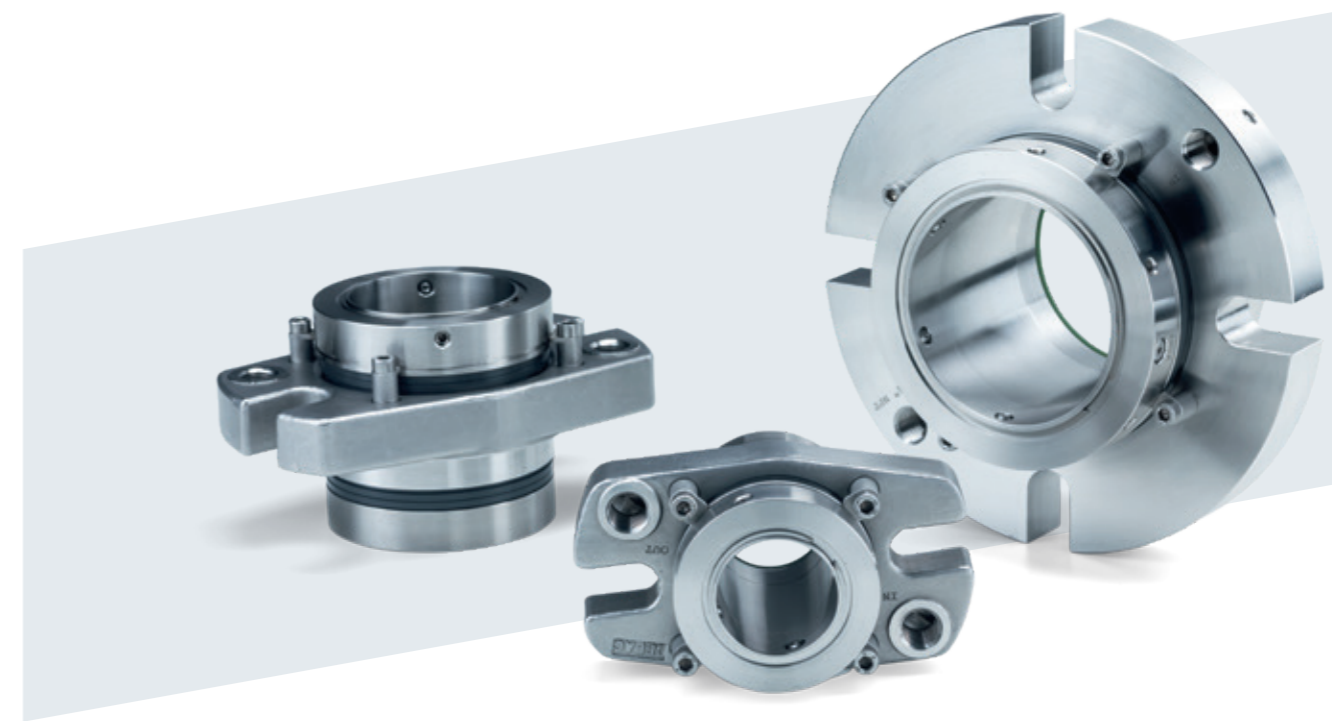


Table of contents

Type 321	S. 3-15
Type 321R	S. 16-23
Type 322	S. 24-35
Type 322R	S. 36-43
Type 322K	S. 44-51
Type 323	S. 52-63
Type 323R	S. 64-71
Type 326	S. 72-81
Type 365	S. 82-91

The DEPAC mechanical seal type 321 is a stationary, tandem-active, double-cartridge mechanical seal with a venting facility. The double pressure relief of the seal faces on the product side also ensures that the seal faces do not open in case of pressure reversal - and that the pressure relief for reducing the friction values is present under all pressure conditions.

The product variants in the form of the type 322 and the type 323, which are intended especially for larger seal chamber cross sections, round off the universal range of application for this mechanical seal.

Advantages

- Cartridge-mounted
- Double balanced
- Tandem active
- Independent of the direction of rotation
- Multiple springs made of Hastelloy C
- Springs outside the medium - no blockage of the springs
- Vibration-dampend stationary face support
- Venting option

Mechanical seal Type 321

Mechanical seal Type 321

Technical specifications

Area of application*

Pressure:	700 mmHg to 28 bar
Temperature:	depending on elastomer
Sliding speed:	up to 35 m/s
Shaft movements:	axial $\leq \varnothing 22 \pm 0.5 \text{ mm} \mid \geq \varnothing 24 \pm 1.0 \text{ mm}$ radial $\leq \varnothing 22 \pm 0.4 \text{ mm} \mid \geq \varnothing 24 \pm 0.5 \text{ mm}$

* The maximum specifications for temperature, pressure and sliding speed apply in each case to independent higher operating conditions. However, this does not mean that the seal will function with all extreme conditions at the same time. If in doubt contact DEPAC.

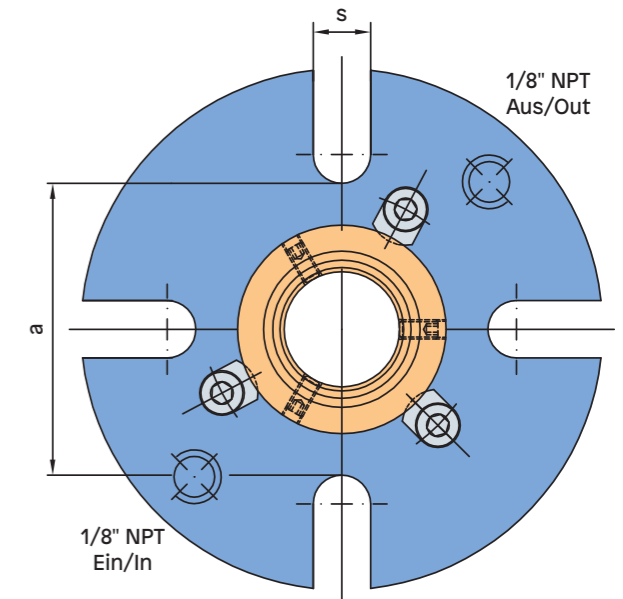
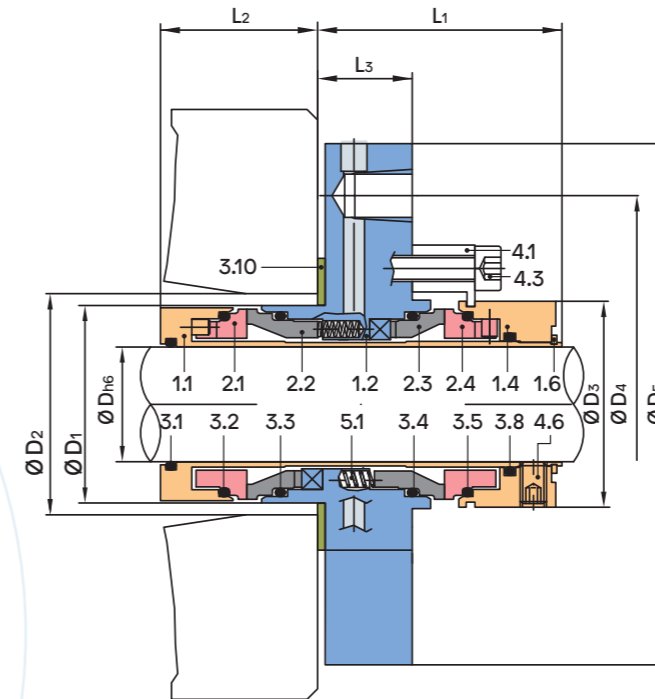
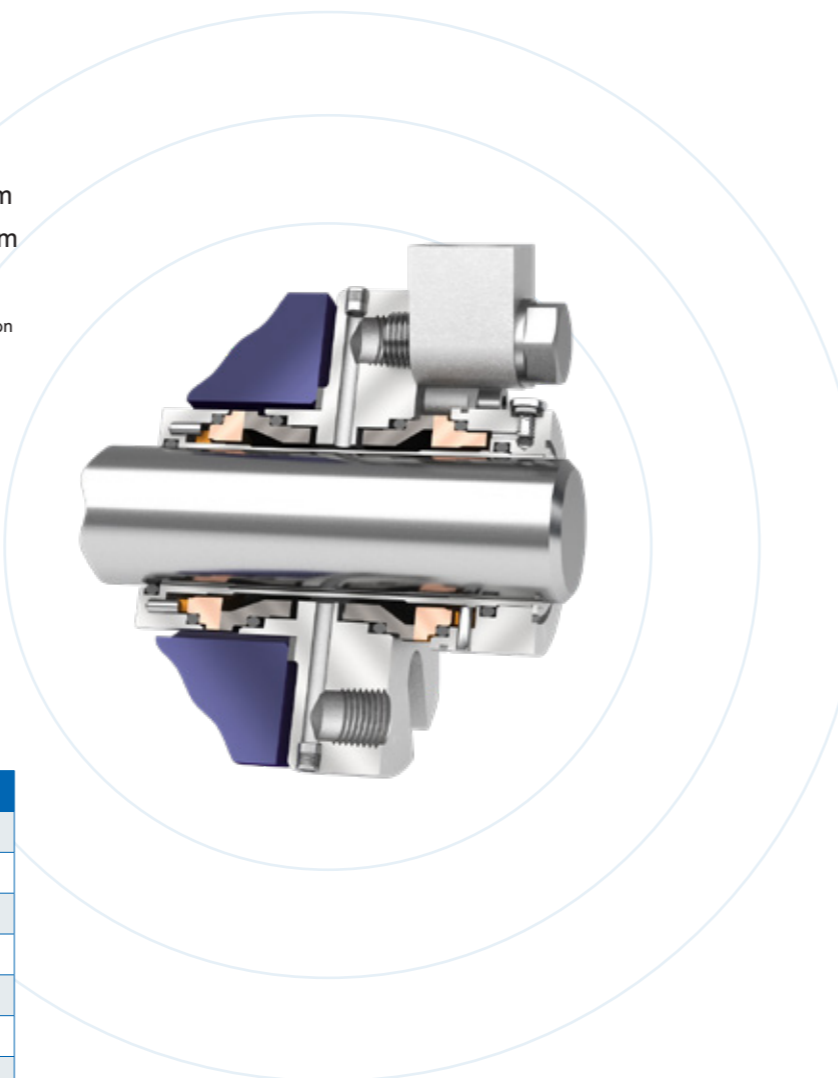
Dimensions

Shaft diameter:	16 – 160 mm 5/8" – 6 1/4" Special sizes on request
-----------------	--

Bill of materials

Item	Description	Material
1.1	Sleeve	1.4571
1.2	Gland	1.4571
1.4	Adjusting ring	1.4571
1.6	Circlip	1.4310
2.1, 2.4	Dynamic seal face	SC/SSIC/TC
2.2, 2.3	Stationary seal face	CA/SC/SSIC/TC
3.1, 3.2, 3.3 3.4, 3.5, 3.8 3.11	O-ring	FKM, EPDM, Kalrez®, PTFE,...
3.10	Flat gasket	Klingersil® C-4300
4.1	Centering piece	Al
4.3	Cheesehead screw	A2
4.6	Threaded pin	A4
4.7	Bleed screw	A2
5.1	Spring	2.4610

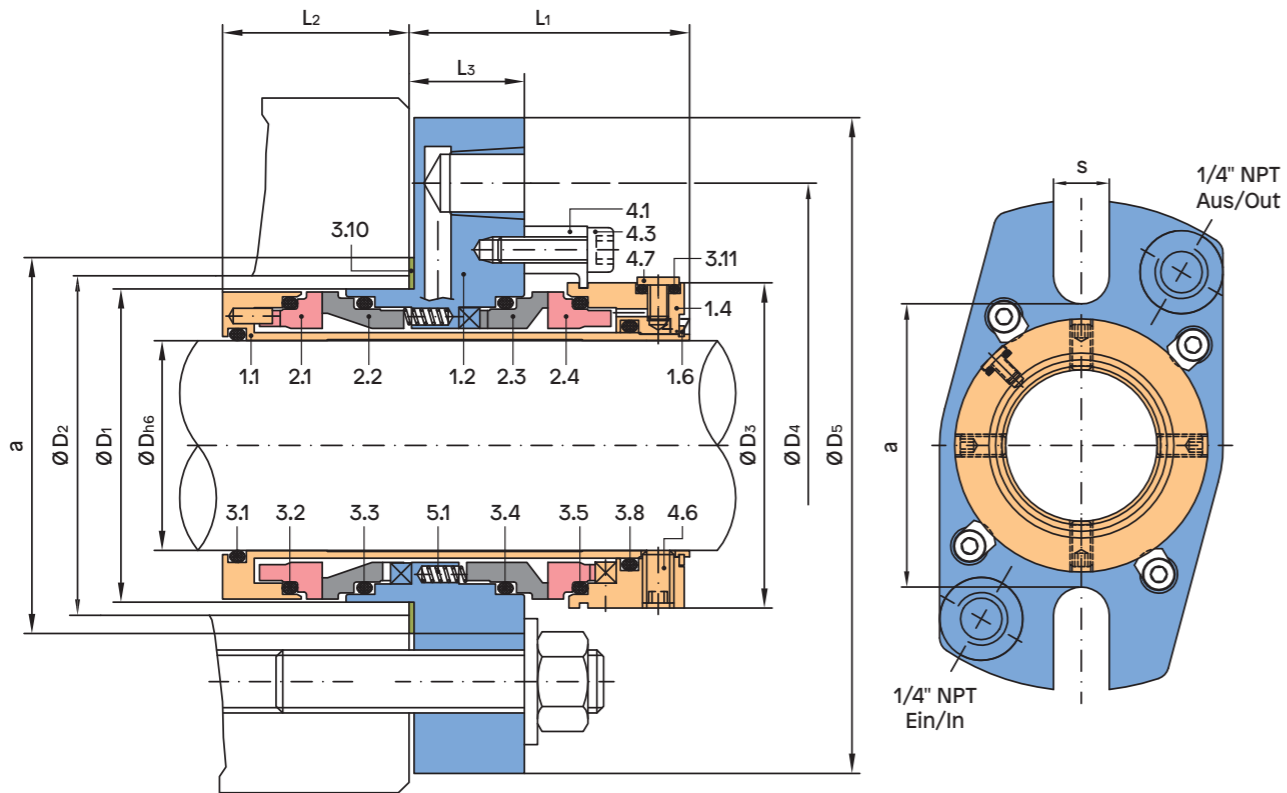
Other materials on request!



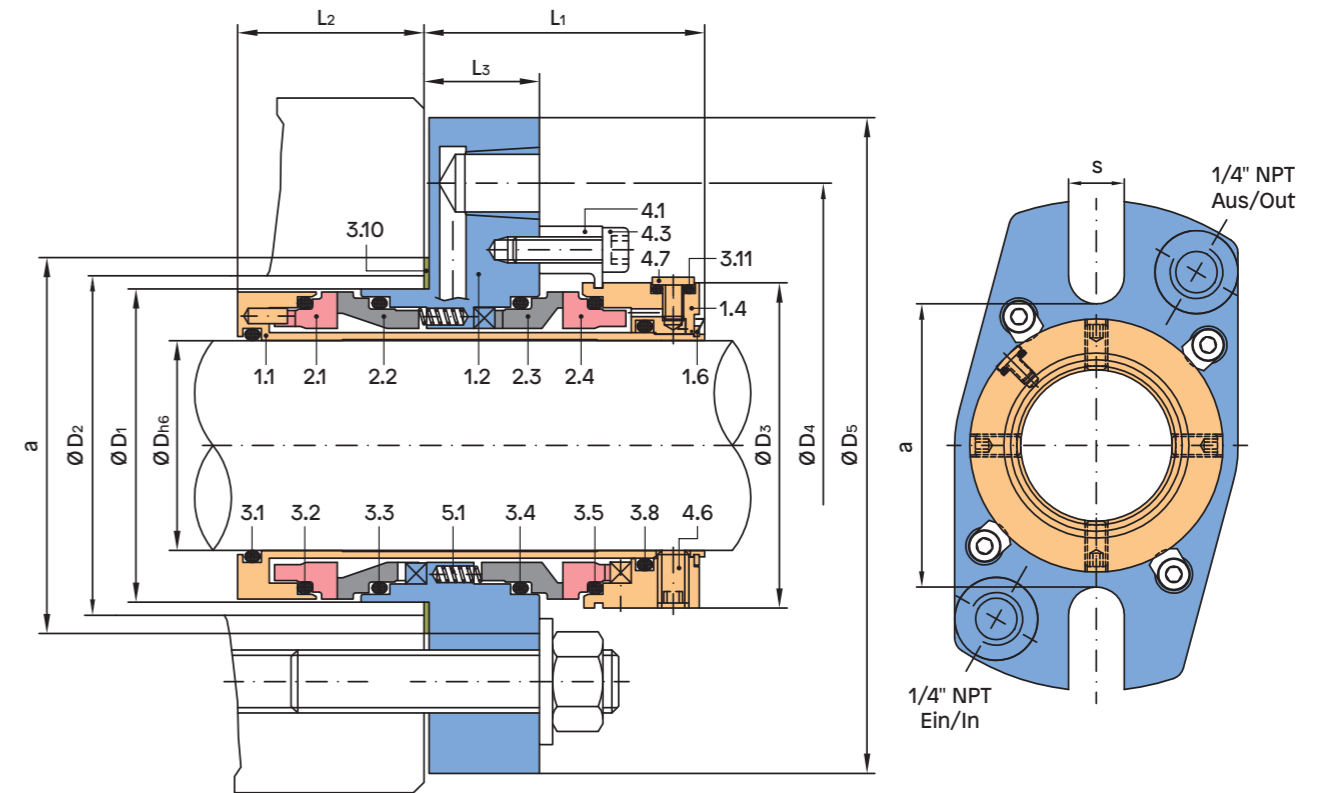
Dimension table $\varnothing 16 - 22 \text{ mm}$

Dh6	D1	D2 min.	D2 max.	D3	D4	D5	L1	L2	L3	a	s	O-rings DASH no.					
												3.1	3.2	3.3	3.4	3.5	3.8
16	31,9	32,4	42	33,5	70	90	47	30	18,2	50	11	017	022	022	022	022	018
18	33,9	34,4	44	35,5	70	90	47	30	18,2	52	11	018	024	024	024	024	019
20	35,9	36,4	46	37,5	78	100	47	30	18,2	54	11	019	025	025	025	025	020
22	37,9	38,4	48	39,5	78	100	47	30	18,2	56	11	020	026	026	026	026	022

Mechanical seal Type 321



Mechanical seal Type 321



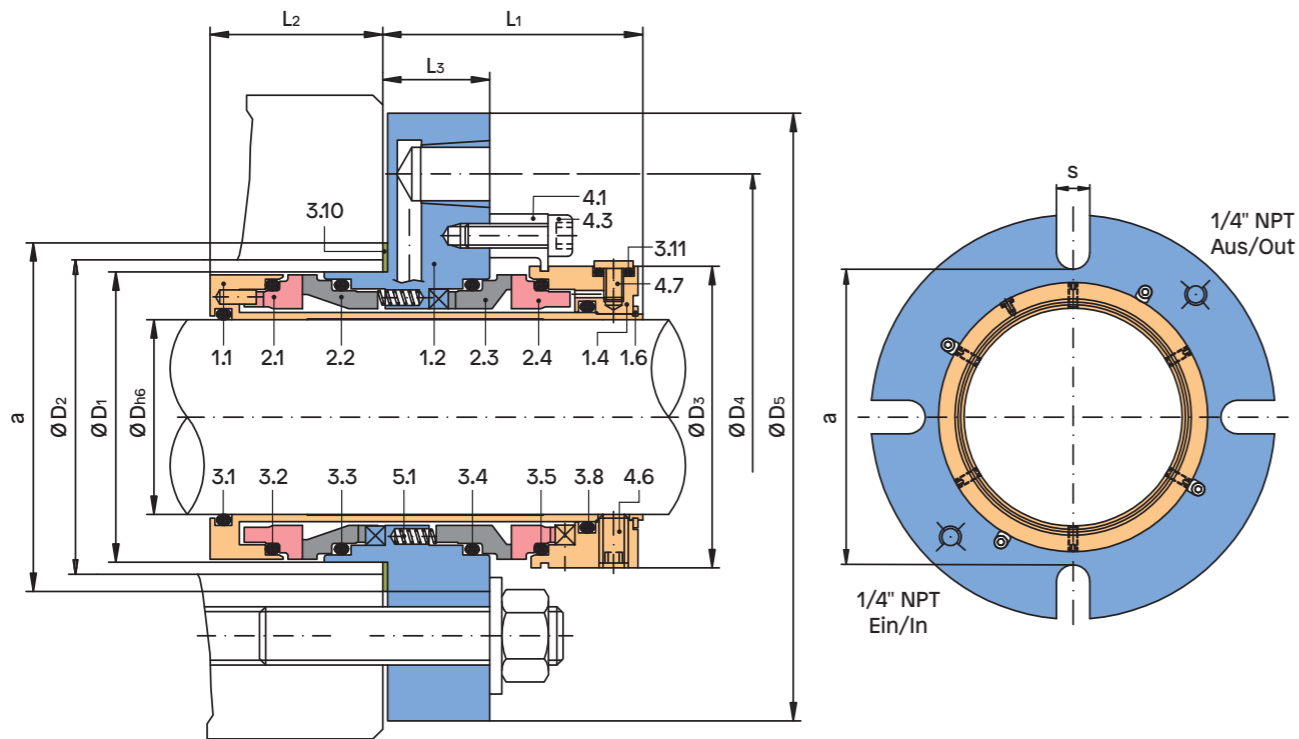
Dimension table Ø 24 – 43 mm

Dh6	D1	D2 min.	D2 max.	D3	D4	D5	L1	L2	L3	a	s	O-rings DASH no.						
												3.1	3.2	3.3	3.4	3.5	3.8	3.11
24	44,7	45,2	52	47	82	105	54	35	22,5	60	12,5	119	127	127	127	122	007	
25	44,7	45,2	52	47	82	105	54	35	22,5	60	12,5	120	127	127	127	122	007	
28	47,7	48,2	52	50	82	105	54	35	22,5	60	12,5	122	129	129	129	124	007	
30	49,7	50,2	52	52	82	105	54	35	22,5	60	12,5	123	130	130	130	125	007	
32	50,9	51,4	52	54	82	105	54	35	22,5	60	12,5	124	131	131	131	127	007	
33	50,9	51,4	52	54	82	105	54	35	22,5	60	12,5	125	131	131	131	127	007	
35	54,7	55,2	59	57	89	115	54	35	22,5	67	12,5	126	133	133	133	128	007	
38	57,7	58,2	67	60	102	130	54	35	22,5	75	14,7	128	136	136	136	130	007	
40	59,7	60,2	67	62	102	130	54	35	22,5	75	14,7	130	137	137	137	132	007	
42	61,7	62,2	74	64	114	140	54	35	22,5	82	14,7	131	138	138	138	133	007	
43	62,7	63,2	74	65	114	140	54	35	22,5	82	14,7	132	138	138	138	133	007	

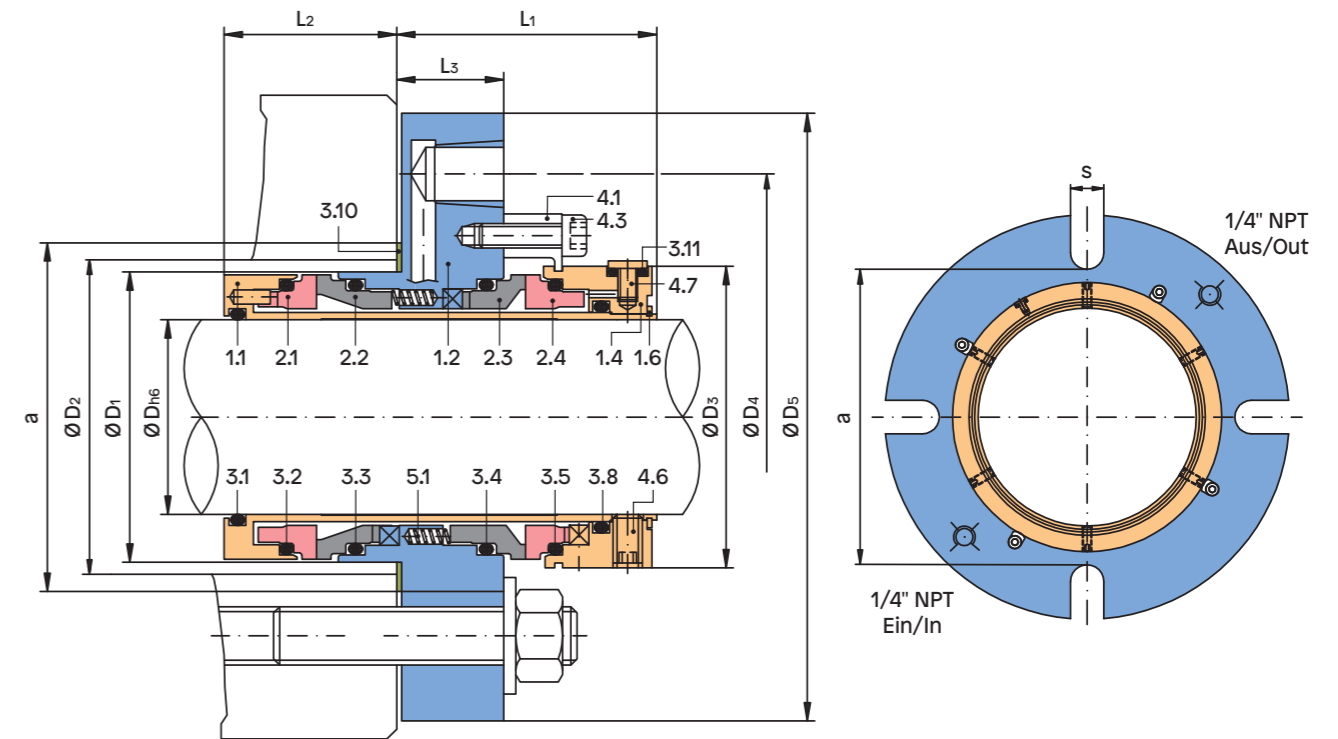
Dimension table Ø 45 – 70 mm

Dh6	D1	D2 min.	D2 max.	D3	D4	D5	L1	L2	L3	a	s	O-rings DASH no.						
												3.1	3.2	3.3	3.4	3.5	3.8	3.11
45	64,7	65,2	74	67	114	140	54	35	22,5	82	14,7	133	140	140	140	140	135	007
48	67,7	68,2	74	70	114	140	54	35	22,5	82	14,7	135	142	142	142	142	137	007
50	69,7	70,2	74	72	114	140	54	35	22,5	82	14,7	136	143	143	143	143	138	007
53	72,7	73,2	84	75	122	150	54	35	22,5	92	17,5	138	145	145	145	145	140	007
55	74,7	75,2	84	77	122	150	54	35	22,5	92	17,5	139	146	146	146	146	141	007
58	77,7	78,2	84	80	122	150	54	35	22,5	92	17,5	141	148	148	148	148	143	007
60	79,7	80,2	92	82	129	160	54	35	22,5	100	17,5	142	149	149	149	149	144	007
63	82,7	83,2	92	85	129	160	54	35	22,5	100	17,5	144	150	150	150	150	146	007
65	84,7	85,2	92	87	129	160	54	35	22,5	100	17,5	145	151	151	151	151	147	007
68	87,7	88,2	104	90	140	180	54	35	22,5	112	17,5	147	151	151	151	151	149	007
70	89,7	90,2	104	92	140	180	54	35	22,5	112	17,5	149	152	152	152	152	150	007

Mechanical seal Type 321



Mechanical seal Type 321



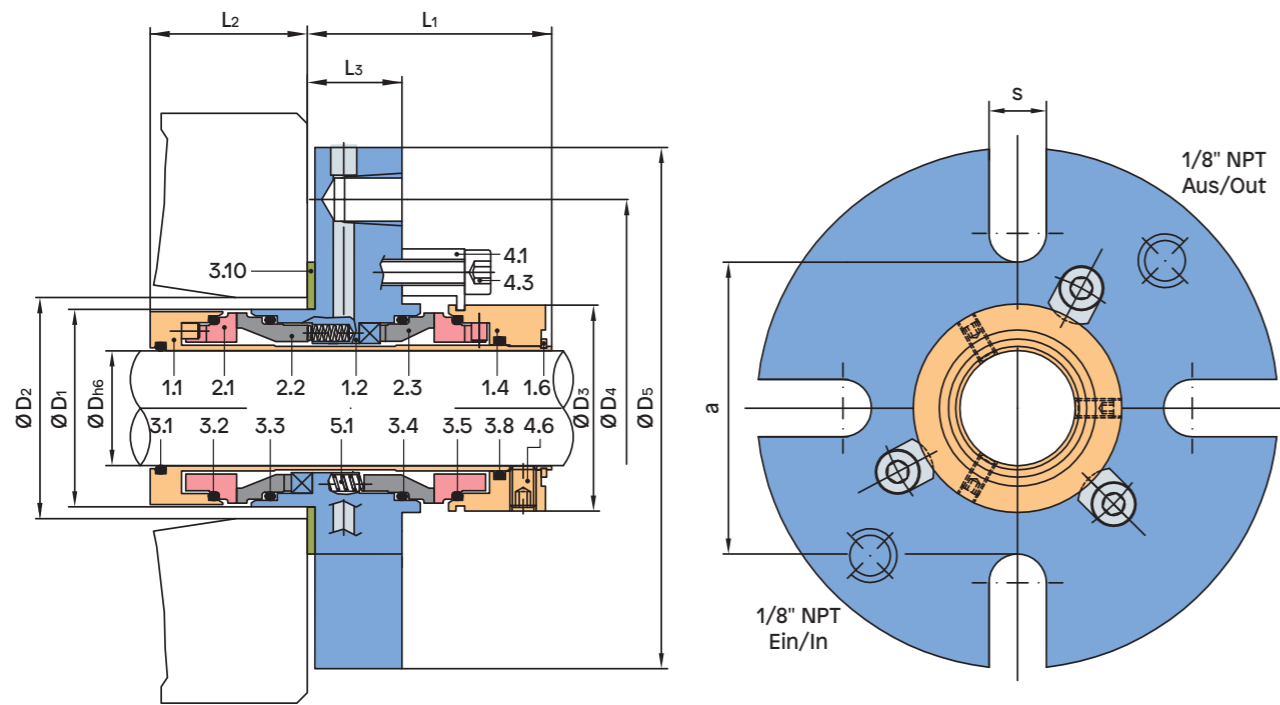
Dimension table Ø 75 – 115 mm

Dh6	D1	D2 min.	D2 max.	D3	D4	D5	L1	L2	L3	a	s	O-rings DASH no.						
												3.1	3.2	3.3	3.4	3.5	3.8	3.11
75	102,8	103,3	117	103	160	190	58,5	38,5	25,5	125	17,5	234	238	238	238	238	152	007
80	107,8	108,3	122	108	160	190	58,5	38,5	25,5	130	17,5	236	240	240	240	240	153	007
85	112,8	113,3	127	113	190	220	58,5	38,5	25,5	135	21,5	237	242	242	242	242	153	007
90	117,8	118,3	132	118	190	220	58,5	38,5	25,5	140	21,5	239	243	243	243	243	154	007
95	122,8	123,3	137	123	190	220	58,5	38,5	25,5	145	21,5	240	245	245	245	245	155	007
100	127,8	128,3	142	128	190	220	58,5	38,5	25,5	150	21,5	242	246	246	246	246	156	007
105	132,8	133,3	147	133	210	240	58,5	38,5	25,5	155	21,5	243	248	248	248	248	157	007
110	137,8	138,3	152	138	210	240	58,5	38,5	25,5	160	21,5	245	250	250	250	250	157	007
115	142,8	143,3	157	143	210	240	58,5	38,5	25,5	165	21,5	247	251	251	251	251	158	007

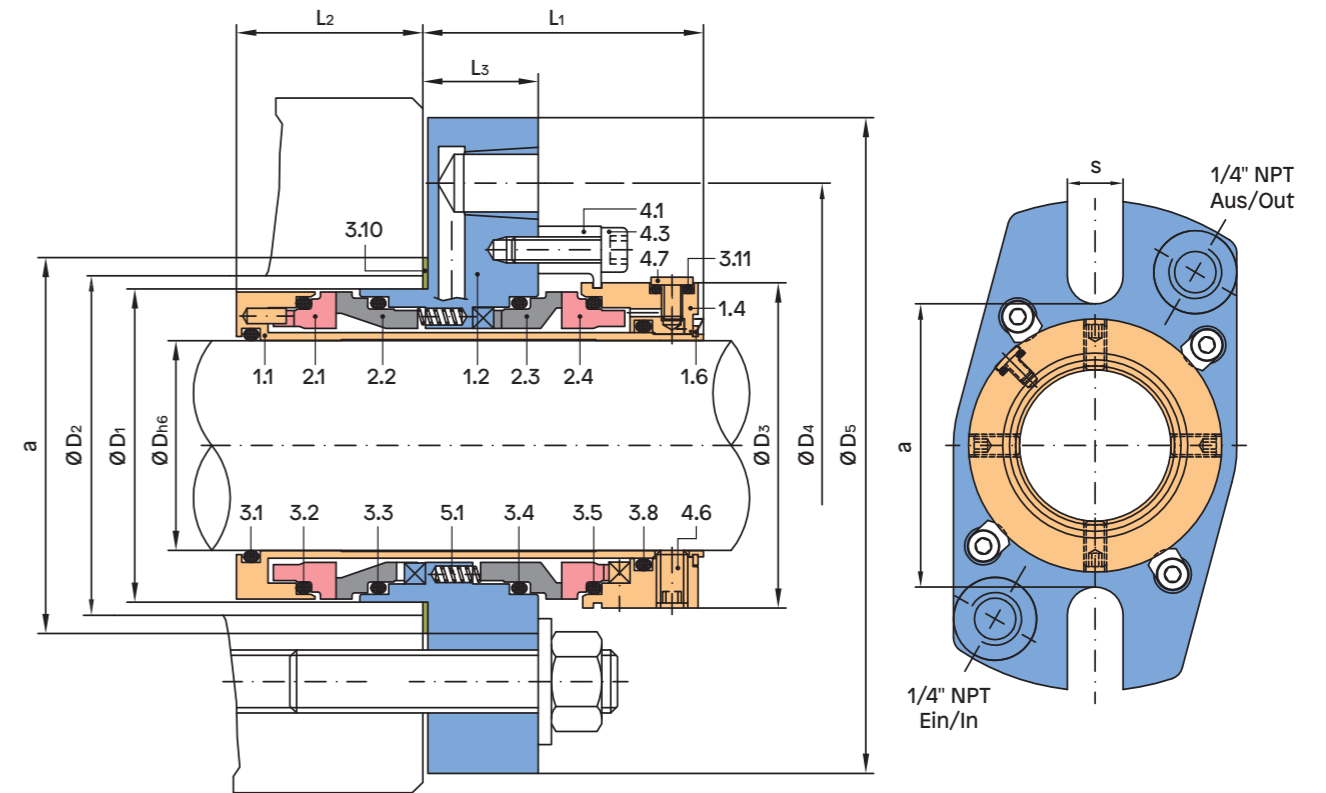
Dimension table Ø 120 – 160 mm

Dh6	D1	D2 min.	D2 max.	D3	D4	D5	L1	L2	L3	a	s	O-rings DASH no.						
												3.1	3.2	3.3	3.4	3.5	3.8	3.11
120	147,8	148,3	162	148	210	240	58,5	38,5	25,5	170	21,5	248	253	253	253	253	159	007
125	152,8	153,3	167	153	230	260	58,5	38,5	25,5	175	21,5	250	254	254	254	254	160	007
130	157,8	158,3	172	158	230	260	58,5	38,5	25,5	180	21,5	251	256	256	256	256	161	007
135	162,8	163,3	177	163	230	260	58,5	38,5	25,5	185	21,5	253	257	257	257	257	161	007
140	167,8	168,3	182	168	230	260	58,5	38,5	25,5	190	21,5	255	258	258	258	258	162	007
145	172,8	173,3	187	173	250	280	58,5	38,5	25,5	195	21,5	256	259	259	259	259	163	007
150	177,8	178,3	192	178	250	280	58,5	38,5	25,5	200	21,5	258	260	260	260	260	164	007
155	182,8	183,3	197	183	250	280	58,5	38,5	25,5	205	21,5	259	261	261	261	261	164	007
160	187,8	188,3	202	188	250	280	58,5	38,5	25,5	210	21,5	260	261	261	261	261	165	007

Mechanical seal Type 321



Mechanical seal Type 321



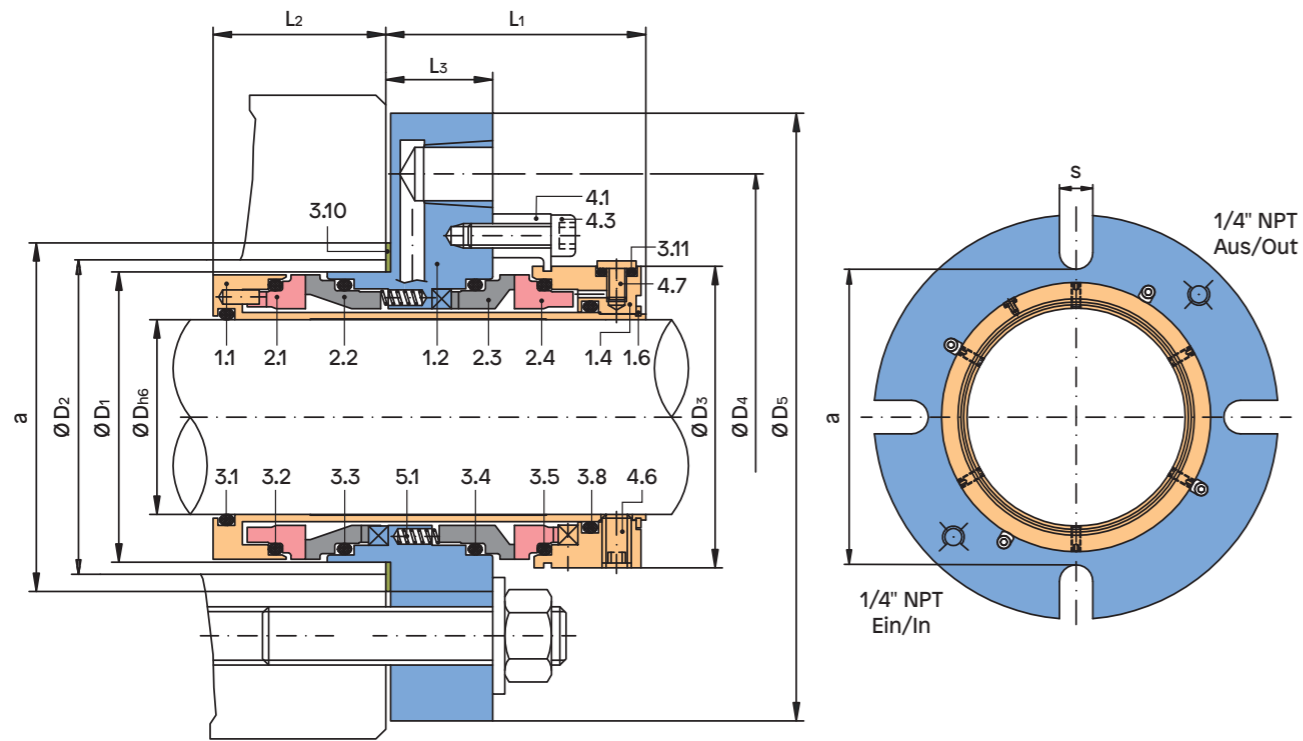
Dimension table $\varnothing \frac{5}{8} - \frac{7}{8}$ inches

Dh6	D1	D2 min.	D2 max.	D3	D4	D5	O-rings DASH no.										
							L1	L2	L3	a	s	3.1	3.2	3.3	3.4	3.5	3.8
$\frac{5}{8}$	1,256	1,276	1,654	1,319	2,756	3,543	1,851	1,181	0,717	1,969	0,433	016	022	022	022	022	018
$\frac{3}{4}$	1,374	1,394	1,772	1,437	2,756	3,543	1,851	1,181	0,717	2,087	0,433	018	024	024	024	024	020
$\frac{7}{8}$	1,492	1,512	1,890	1,555	3,071	3,937	1,851	1,181	0,717	2,205	0,433	020	026	026	026	026	022

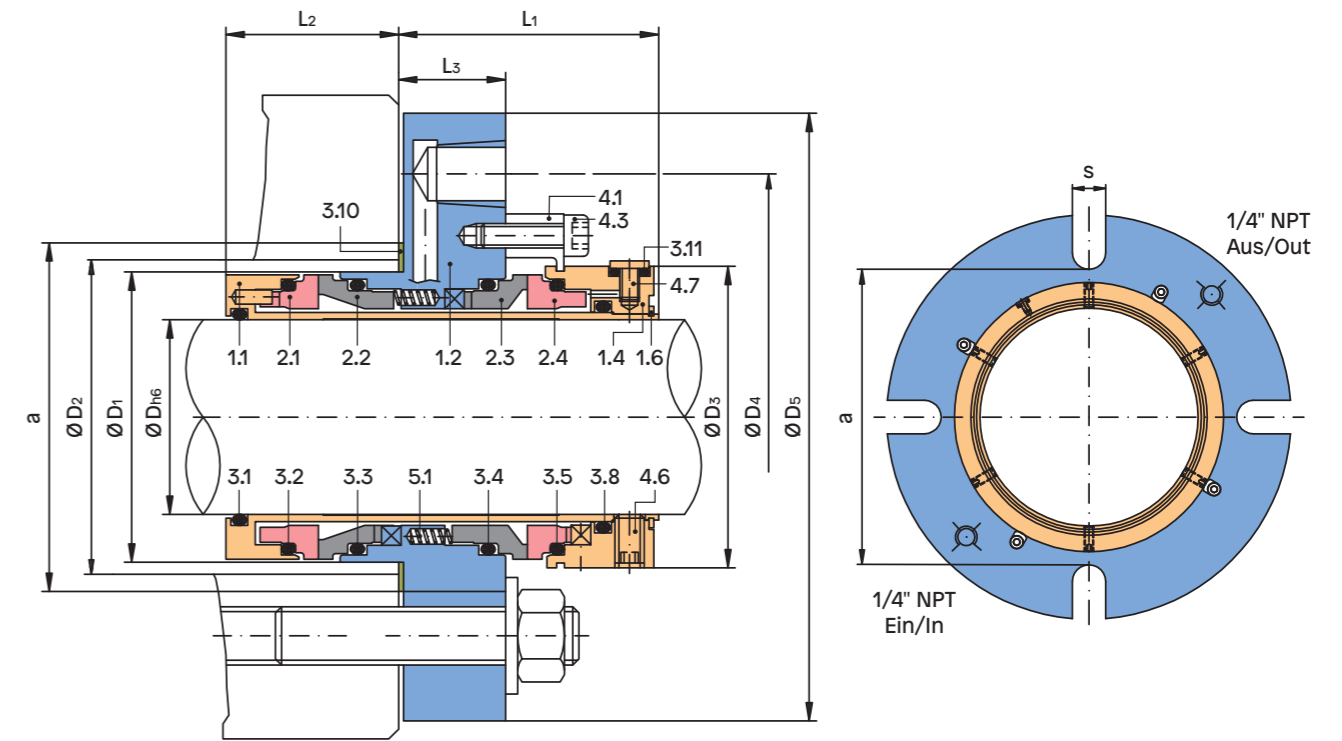
Dimension table $\varnothing \frac{15}{16} - 2 \frac{3}{4}$ inches

Dh6	D1	D2 min.	D2 max.	D3	D4	D5	O-rings DASH no.											
							L1	L2	L3	a	s	3.1	3.2	3.3	3.4	3.5	3.8	3.11
$\frac{15}{16}$	1,760	1,780	2,047	1,850	3,228	4,134	2,126	1,378	0,886	2,362	0,492	119	127	127	127	127	122	007
1	1,760	1,780	2,047	1,850	3,228	4,134	2,126	1,378	0,886	2,362	0,492	120	127	127	127	127	122	007
1 $\frac{1}{8}$	1,878	1,898	2,047	1,969	3,228	4,134	2,126	1,378	0,886	2,362	0,492	122	129	129	129	129	124	007
1 $\frac{1}{4}$	2,004	2,024	2,047	2,126	3,228	4,134	2,126	1,378	0,886	2,362	0,492	124	131	131	131	131	126	007
1 $\frac{3}{8}$	2,154	2,174	2,323	2,244	3,504	4,528	2,126	1,378	0,886	2,638	0,492	126	133	133	133	133	128	007
1 $\frac{7}{16}$	2,232	2,252	2,638	2,323	4,016	5,118	2,126	1,378	0,886	2,953	0,579	127	135	135	135	135	130	007
1 $\frac{1}{2}$	2,272	2,292	2,638	2,362	4,016	5,118	2,126	1,378	0,886	2,953	0,579	128	136	136	136	136	130	007
1 $\frac{5}{8}$	2,429	2,449	2,913	2,520	4,488	5,512	2,126	1,378	0,886	3,228	0,579	131	138	138	138	138	133	007
1 $\frac{3}{4}$	2,547	2,567	2,913	2,638	4,488	5,512	2,126	1,378	0,886	3,228	0,579	133	140	140	140	140	135	007
1 $\frac{7}{8}$	2,665	2,685	2,913	2,756	4,488	5,512	2,126	1,378	0,886	3,228	0,579	135	142	142	142	142	137	007
2	2,744	2,764	2,913	2,835	4,488	5,512	2,126	1,378	0,886	3,228	0,579	136	143	143	143	143	138	007
2 $\frac{1}{8}$	2,862	2,882	3,307	2,953	4,803	5,906	2,126	1,378	0,886	3,622	0,689	138	145	145	145	145	140	007
2 $\frac{1}{4}$	3,020	3,040	3,307	3,110	4,803	5,906	2,126	1,378	0,886	3,622	0,689	140	147	147	147	147	142	007
2 $\frac{3}{8}$	3,138	3,158	3,622	3,228	5,079	6,299	2,126	1,378	0,886	3,937	0,689	142	149	149	149	149	144	007
2 $\frac{1}{2}$	3,256	3,276	3,622	3,346	5,079	6,299	2,126	1,378	0,886	3,937	0,689	144	150	150	150	150	146	007
2 $\frac{5}{8}$	3,413	3,433	4,094	3,504	5,512	7,087	2,126	1,378	0,886	4,409	0,689	146	151	151	151	151	148	007
2 $\frac{3}{4}$	3,531	3,551	4,094	3,622	5,512	7,087	2,126	1,378	0,886	4,409	0,689	149	152	152	152	152	150	007

Mechanical seal Type 321



Mechanical seal Type 321



Dimension table $\varnothing 2 \frac{7}{8} - 4 \frac{1}{4}$ inches

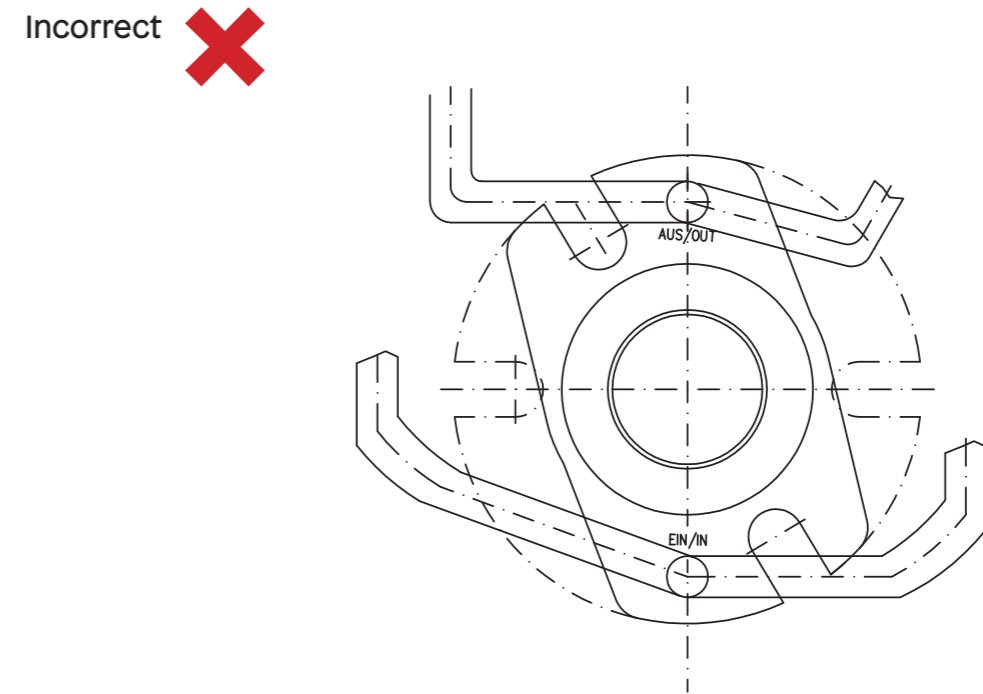
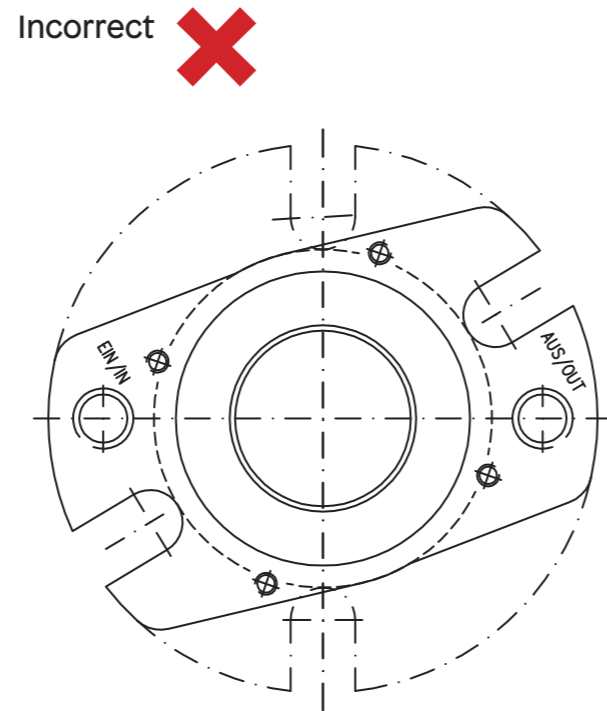
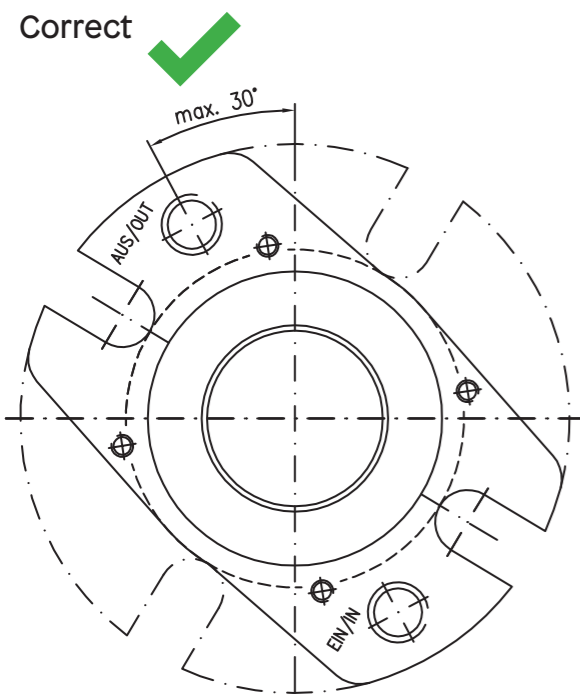
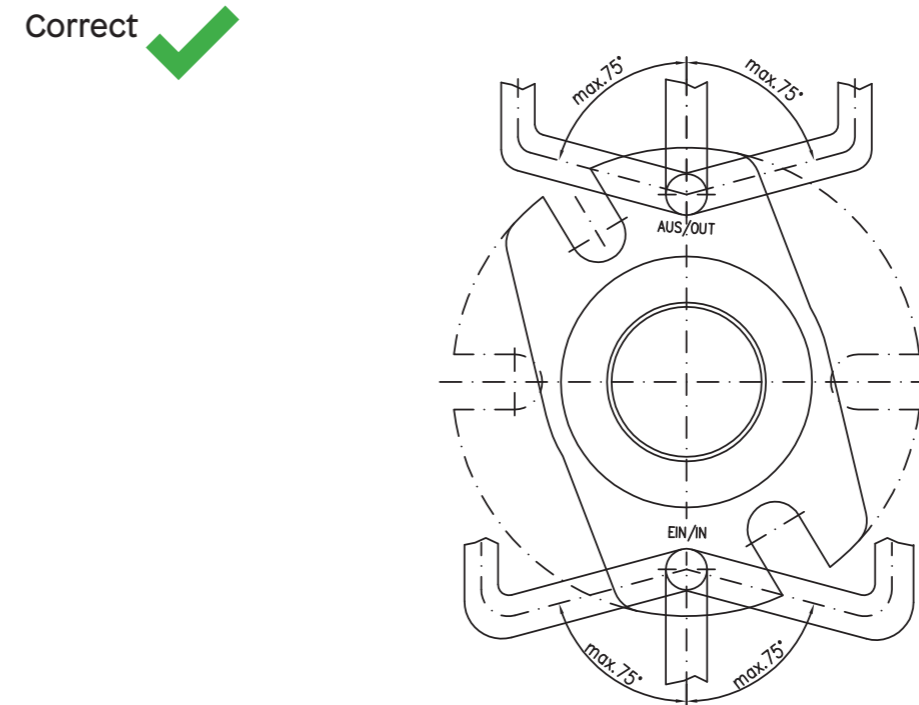
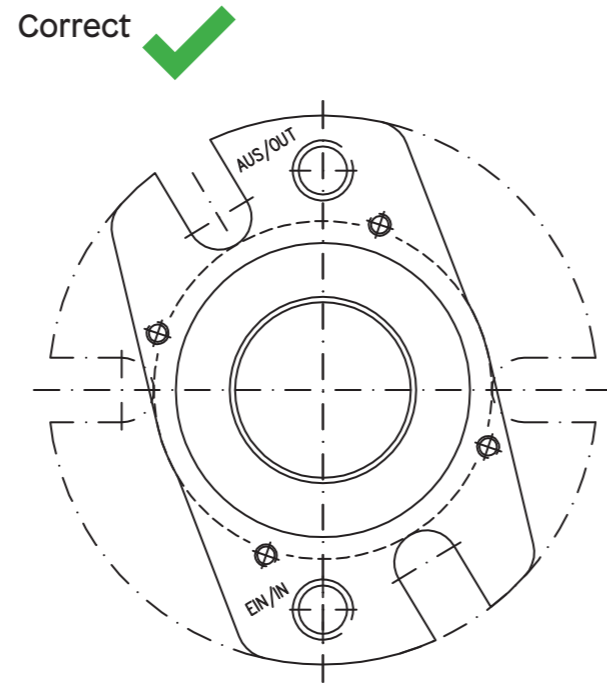
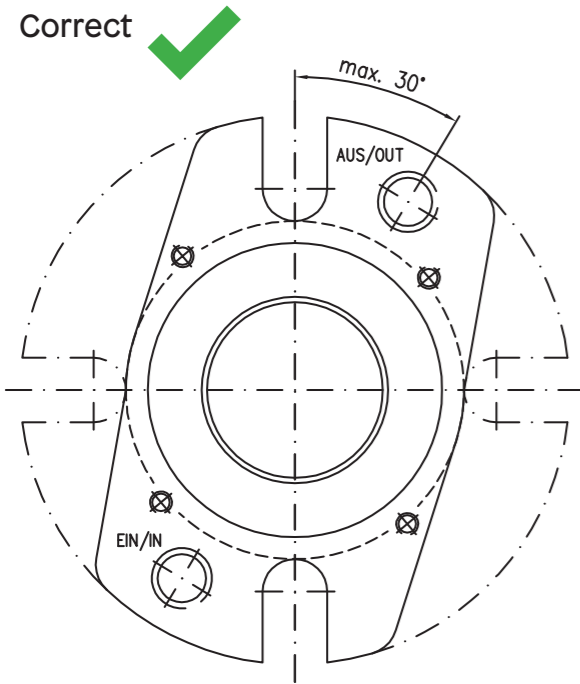
Dh6	D1	D2 min.	D2 max.	D3	D4	D5	L1	L2	L3	a	s	O-rings DASH no.						
												3.1	3.2	3.3	3.4	3.5	3.8	3.11
2 7/8	3,969	3,989	4,528	3,976	6,299	7,480	2,303	1,515	1,004	4,843	0,689	233	238	238	238	238	152	007
3	4,047	4,067	4,606	4,055	6,299	7,480	2,303	1,515	1,004	4,921	0,689	234	238	238	238	238	152	007
3 1/8	4,244	4,264	4,803	4,252	6,299	7,480	2,303	1,515	1,004	5,118	0,689	236	240	240	240	240	153	007
3 1/4	4,362	4,382	4,921	4,370	6,299	7,480	2,303	1,515	1,004	5,236	0,689	236	241	241	241	241	153	007
3 3/8	4,441	4,461	5,000	4,449	7,480	8,661	2,303	1,515	1,004	5,315	0,846	237	242	242	242	242	153	007
3 1/2	4,638	4,658	5,197	4,646	7,480	8,661	2,303	1,515	1,004	5,512	0,846	239	243	243	243	243	154	007
3 5/8	4,717	4,737	5,276	4,724	7,480	8,661	2,303	1,515	1,004	5,591	0,846	239	244	244	244	244	155	007
3 3/4	4,835	4,855	5,394	4,843	7,480	8,661	2,303	1,515	1,004	5,709	0,846	240	245	245	245	245	155	007
4	5,031	5,051	5,591	5,039	7,480	8,661	2,303	1,515	1,004	5,906	0,846	242	246	246	246	246	156	007
4 1/8	5,228	4,154	5,787	5,236	8,268	9,449	2,303	1,515	1,004	6,102	0,846	243	248	248	248	248	157	007
4 1/4	5,425	4,351	5,984	5,433	8,268	9,449	2,303	1,515	1,004	6,299	0,846	244	250	250	250	250	157	007

Dimension table $\varnothing 4 \frac{5}{16} - 6 \frac{1}{4}$ inches

Dh6	D1	D2 min.	D2 max.	D3	D4	D5	L1	L2	L3	a	s	O-rings DASH no.						
												3.1	3.2	3.3	3.4	3.5	3.8	3.11
4 5/16	5,425	4,351	5,984	5,433	8,268	9,449	2,303	1,515	1,004	6,299	0,846	244	250	250	250	250	157	007
4 1/2	5,622	4,548	6,181	5,630	8,268	9,449	2,303	1,515	1,004	6,496	0,846	246	251	251	251	251	158	007
4 3/4	5,819	4,744	6,378	5,827	8,268	9,449	2,303	1,515	1,004	6,693	0,846	248	253	253	253	253	159	007
5	6,213	5,138	6,772	6,220	9,055	10,236	2,303	1,515	1,004	7,087	0,846	250	256	256	256	256	161	007
5 1/8	6,213	5,138	6,772	6,220	9,055	10,236	2,303	1,515	1,004	7,087	0,846	251	256	256	256	256	161	007
5 1/4	6,409	5,335	6,968	6,417	9,055	10,236	2,303	1,515	1,004	7,283	0,846	252	257	257	257	257	161	007
5 1/2	6,606	5,532	7,165	6,614	9,055	10,236	2,303	1,515	1,004	7,480	0,846	254	258	258	258	258	162	007
5 3/4	6,803	5,729	7,362	6,811	9,843	11,024	2,303	1,515	1,004	7,677	0,846	256	259	259	259	259	163	007
6	7,197	6,122	7,756	7,205	9,843	11,024	2,303	1,515	1,004	8,071	0,846	258	261	261	261	261	164	007
6 1/4	7,394	6,319	7,953	7,402	9,843	11,024	2,303	1,515	1,004	8,268	0,846	259	261	261	261	261	164	007

Mechanical seal Type 321 Installation position

Mechanical seal Type 321 Pipe installation



Mechanical seal Type 321R



The DEPAC mechanical seal type 321R is a product variant of the type 321. This stationary, tandem-active, double-cartridge mechanical seal with round gland and venting option is available in all sizes with a round gland and four fastening slots. The double pressure relief of the seal faces on the product side also ensures that the seal faces do not open in case of pressure reversal - and that the pressure relief for reducing the friction values is present under all pressure conditions. The product variants in the form of the type 322 and the type 323, which are intended especially for larger seal chamber cross sections, round off the universal range of application for this mechanical seal.

Advantages

- Cartridge-mounted
- Double balanced
- Tandem active
- Independent of the direction of rotation
- Multiple springs made of Hastelloy C
- Springs outside the medium - no blockage of the springs
- Vibration-dampend stationary face support
- Venting option

Mechanical seal Type 321R

Technical specifications

Area of application*

Pressure:	700 mmHg to 28 bar
Temperature:	depending on elastomer
Sliding speed:	up to 35 m/s
Shaft movements:	axial $\geq \varnothing 24 \pm 1.0$ mm radial $\geq \varnothing 24 \pm 0.5$ mm

* The maximum specifications for temperature, pressure and sliding speed apply in each case to independent higher operating conditions. However, this does not mean that the seal will function with all extreme conditions at the same time. If in doubt contact DEPAC.

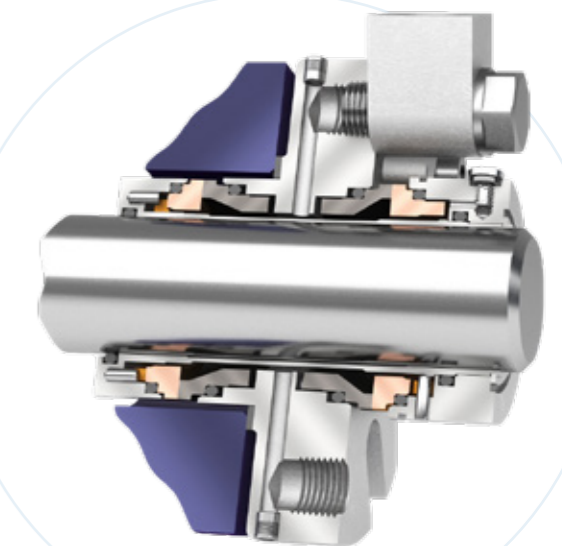
Dimensions

Shaft diameter:	24 – 70 mm $1\frac{5}{16}$ " – $2\frac{3}{4}$ " Special sizes on request
-----------------	--

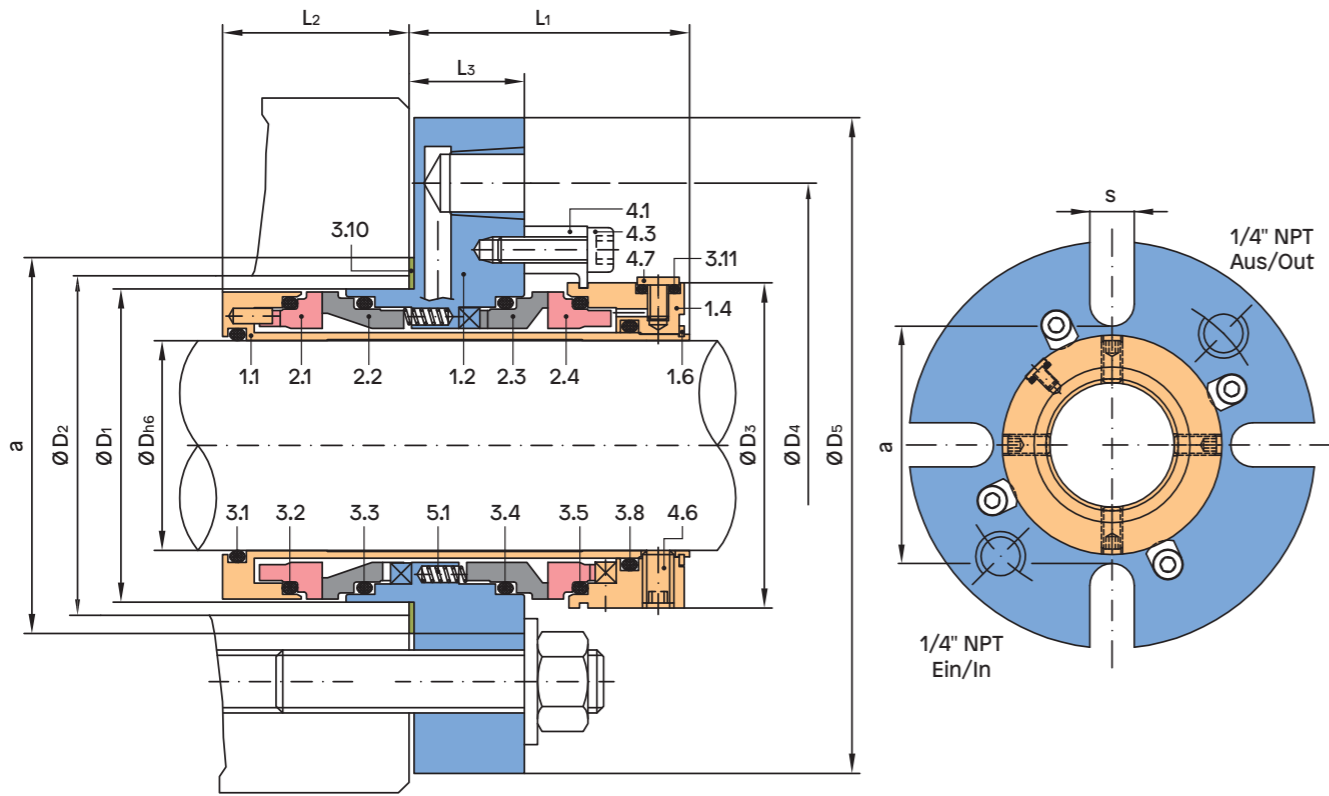
Bill of materials

Item	Description	Material
1.1	Sleeve	1.4571
1.2	Gland	1.4571
1.4	Adjusting ring	1.4571
1.6	Circlip	1.4310
2.1, 2.4	Dynamic seal face	SC/SSIC/TC
2.2, 2.3	Stationary seal face	CA/SC/SSIC/TC
3.1, 3.2, 3.3 3.4, 3.5, 3.8 3.11	O-ring	FKM, EPDM, Kalrez®, PTFE,...
3.10	Flat gasket	Klingersil® C-4300
4.1	Centering piece	Al
4.3	Cheesehead screw	A2
4.6	Threaded pin	A4
4.7	Bleed screw	A2
5.1	Spring	2.4610

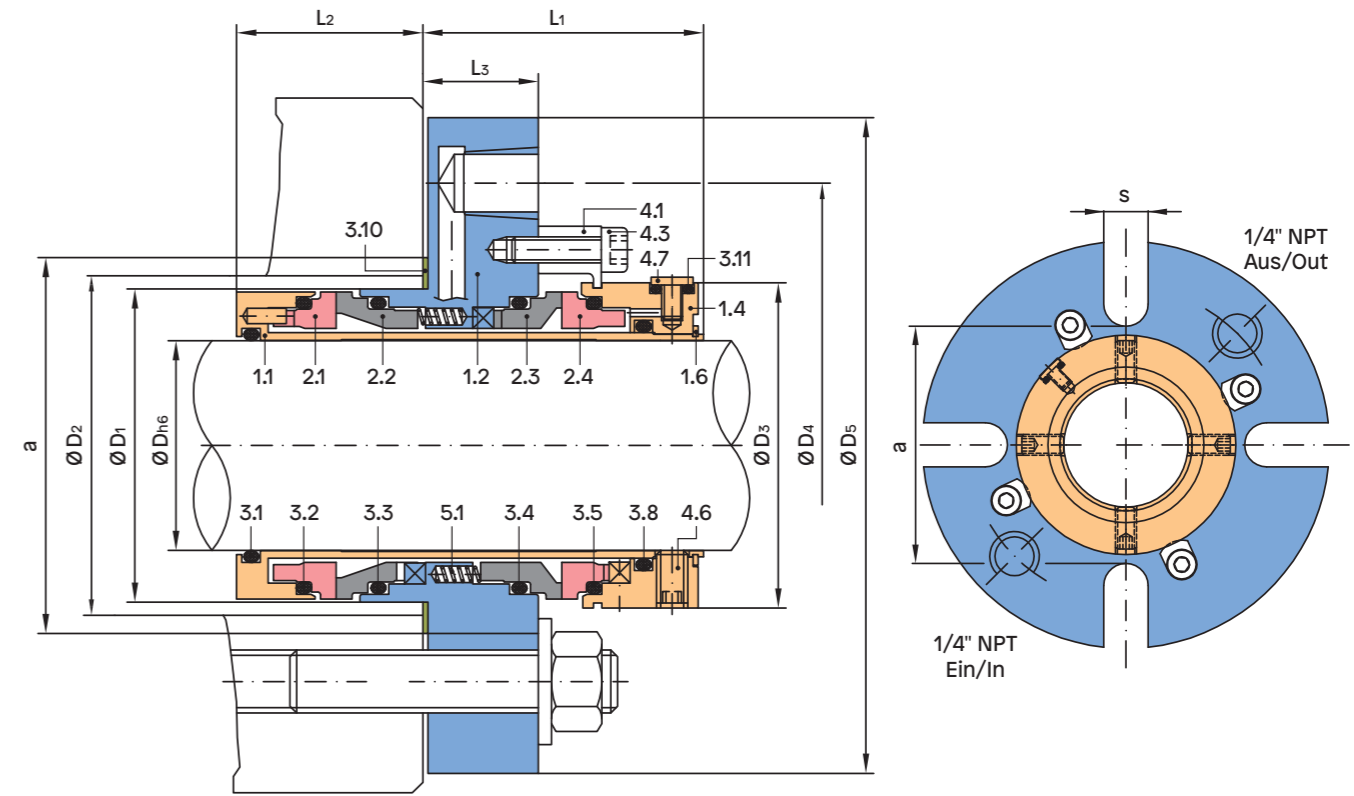
Other materials on request!



Mechanical seal Type 321R



Mechanical seal Type 321R



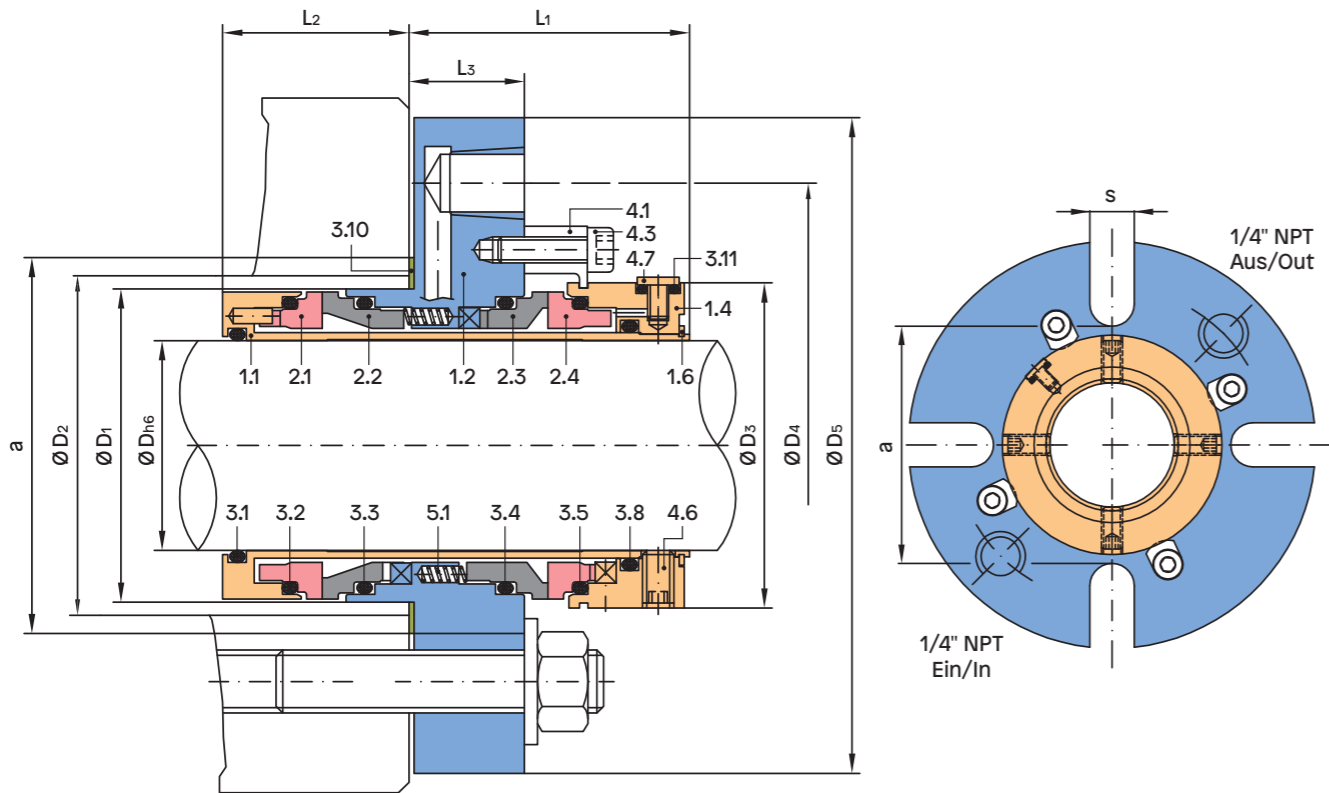
Dimension table Ø 24 – 43 mm

O-rings DASH no.																		
Dh6	D1	D2 min.	D2 max.	D3	D4	D5	a	L1	L2	L3	s	3.1	3.2	3.3	3.4	3.5	3.8	3.11
24	44,7	45,2	52	47	82	105	60	54	35	22,5	12,5	119	127	127	127	127	122	007
25	44,7	45,2	52	47	82	105	60	54	35	22,5	12,5	120	127	127	127	127	122	007
28	47,7	48,2	52	50	82	105	60	54	35	22,5	12,5	122	129	129	129	129	124	007
30	49,7	50,2	52	52	82	105	60	54	35	22,5	12,5	123	130	130	130	130	125	007
32	50,9	51,4	52	54	82	105	60	54	35	22,5	12,5	124	131	131	131	131	127	007
33	50,9	51,4	52	54	82	105	60	54	35	22,5	12,5	125	131	131	131	131	127	007
35	54,7	55,2	59	57	89	115	67	54	35	22,5	12,5	126	133	133	133	133	128	007
38	57,7	58,2	67	60	102	130	75	54	35	22,5	14,7	128	136	136	136	136	130	007
40	59,7	60,2	67	62	102	130	75	54	35	22,5	14,7	130	137	137	137	137	132	007
42	61,7	62,2	74	64	114	140	82	54	35	22,5	14,7	131	138	138	138	138	133	007
43	62,7	63,2	74	65	114	140	82	54	35	22,5	14,7	132	138	138	138	138	133	007

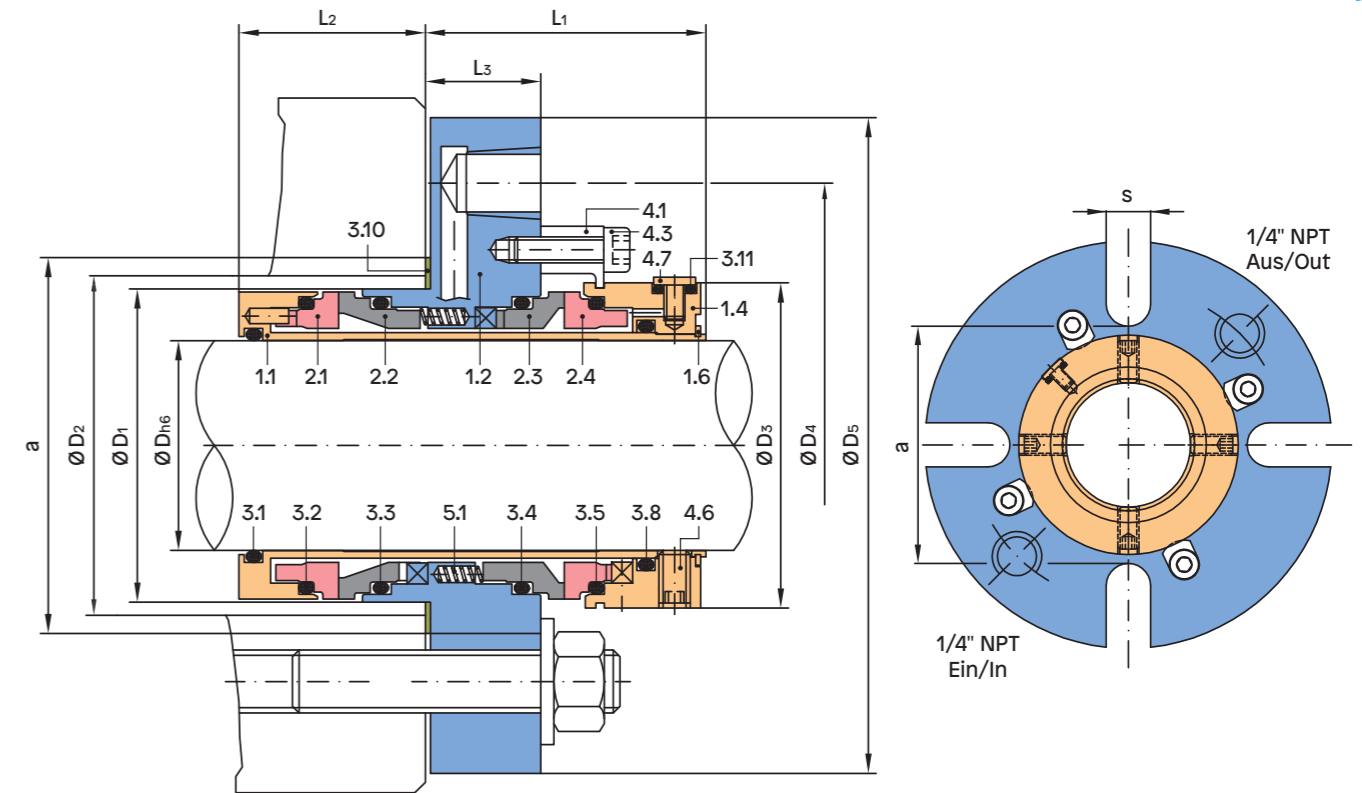
Dimension table Ø 45 – 70 mm

O-rings DASH no.																		
Dh6	D1	D2 min.	D2 max.	D3	D4	D5	a	L1	L2	L3	s	3.1	3.2	3.3	3.4	3.5	3.8	3.11
45	64,7	65,2	74	67	114	140	82	54	35	22,5	14,7	133	140	140	140	140	135	007
48	67,7	68,2	74	70	114	140	82	54	35	22,5	14,7	135	142	142	142	142	137	007
50	69,7	70,2	74	72	114	140	82	54	35	22,5	14,7	136	143	143	143	143	138	007
53	72,7	73,2	84	75	122	150	92	54	35	22,5	17,5	138	145	145	145	145	140	007
55	74,7	75,2	84	77	122	150	92	54	35	22,5	17,5	139	146	146	146	146	141	007
58	77,7	78,2	84	80	122	150	92	54	35	22,5	17,5	141	148	148	148	148	143	007
60	79,7	80,2	92	82	129	160	100	54	35	22,5	17,5	142	149	149	149	149	144	007
63	82,7	83,2	92	85	129	160	100	54	35	22,5	17,5	144	150	150	150	150	146	007
65	84,7	85,2	92	87	129	160	100	54	35	22,5	17,5	145	151	151	151	151	147	007
68	87,7	88,2	104	90	140	180	112	54	35	22,5	17,5	147	151	151	151	151	149	007
70	89,7	90,2	104	92	140	180	112	54	35	22,5	17,5	149	152	152	152	152	150	007

Mechanical seal Type 321R



Mechanical seal Type 321R



Dimension table Ø 15/16 – 1 3/4 inches

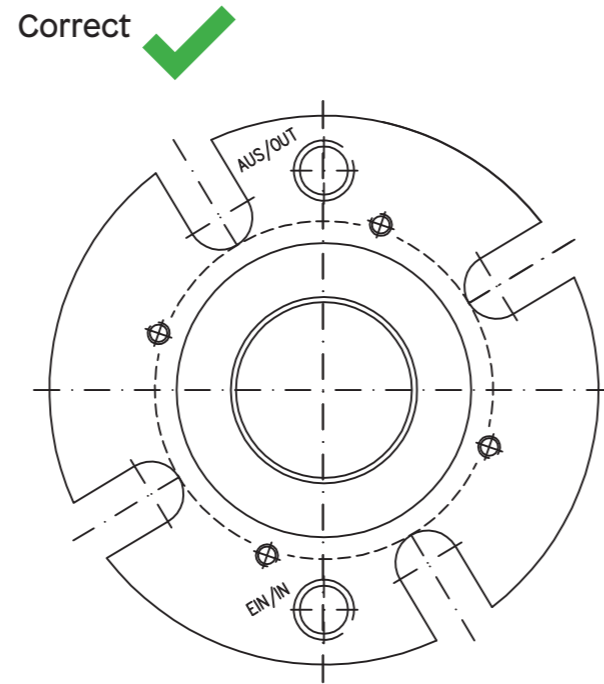
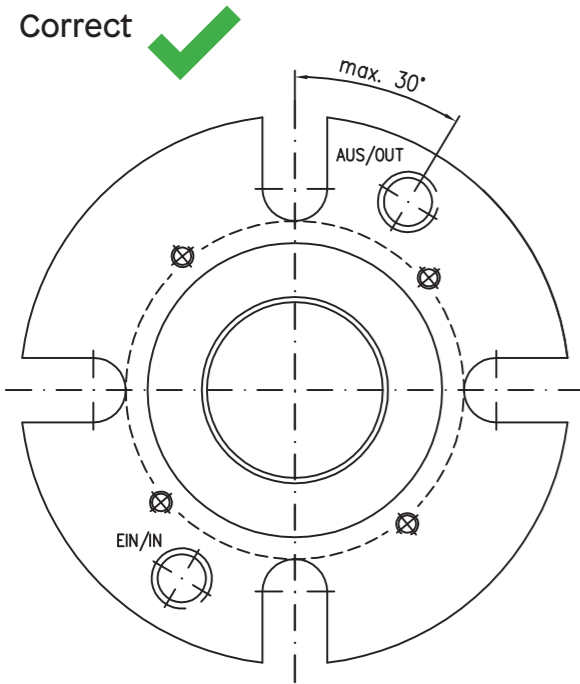
Dh6	D1	D2 min.	D2 max.	D3	D4	D5	O-rings DASH no.											
							L1	L2	L3	a	s	3.1	3.2	3.3	3.4	3.5	3.8	3.11
15/16	1,760	1,780	2,047	1,850	3,228	4,134	2,126	1,378	0,886	2,362	0,492	119	127	127	127	127	122	007
1	1,760	1,780	2,047	1,850	3,228	4,134	2,126	1,378	0,886	2,362	0,492	120	127	127	127	127	122	007
1 1/8	1,878	1,898	2,047	1,969	3,228	4,134	2,126	1,378	0,886	2,362	0,492	122	129	129	129	129	124	007
1 1/4	2,004	2,024	2,047	2,126	3,228	4,134	2,126	1,378	0,886	2,362	0,492	124	131	131	131	131	126	007
1 3/8	2,154	2,174	2,323	2,244	3,504	4,528	2,126	1,378	0,886	2,638	0,492	126	133	133	133	133	128	007
7/16	2,232	2,252	2,638	2,323	4,016	5,118	2,126	1,378	0,886	2,953	0,579	127	135	135	135	135	130	007
1 1/2	2,272	2,292	2,638	2,362	4,016	5,118	2,126	1,378	0,886	2,953	0,579	128	136	136	136	136	130	007
1 5/8	2,429	2,449	2,913	2,520	4,488	5,512	2,126	1,378	0,886	3,228	0,579	131	138	138	138	138	133	007
1 3/4	2,547	2,567	2,913	2,638	4,488	5,512	2,126	1,378	0,886	3,228	0,579	133	140	140	140	140	135	007

Dimension table Ø 1 7/8 – 2 3/4 inches

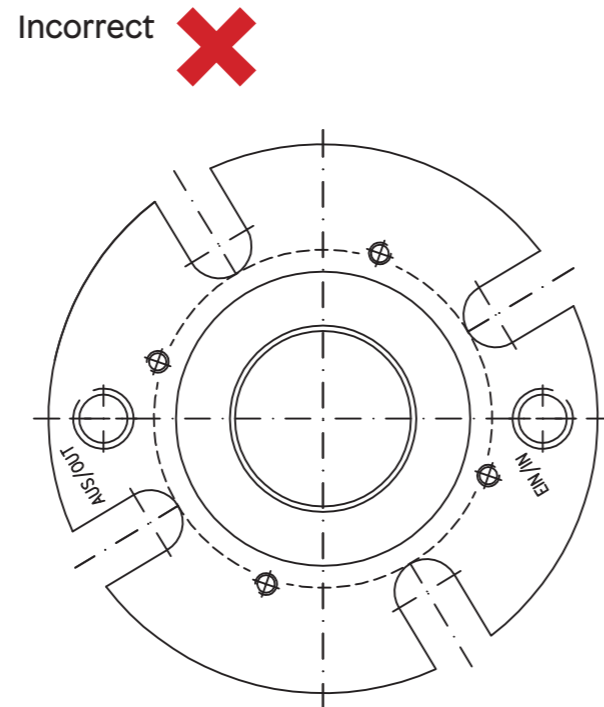
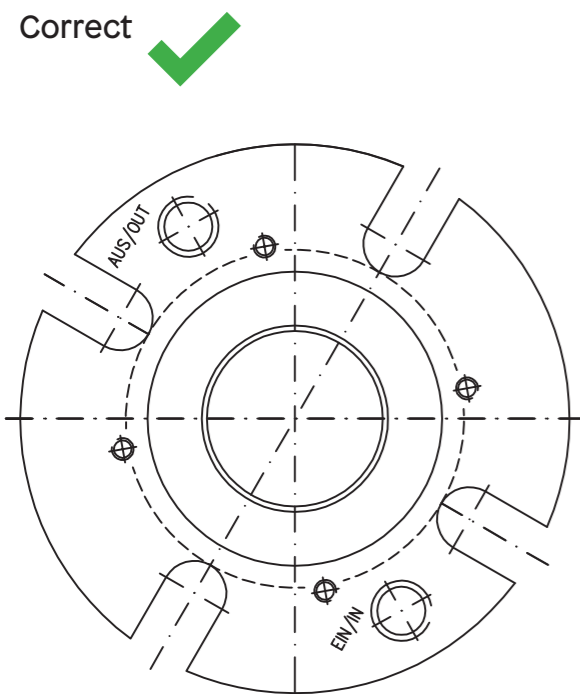
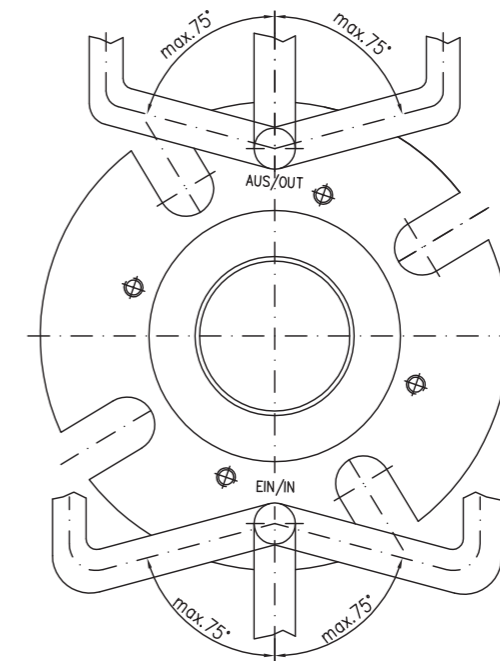
Dh6	D1	D2 min.	D2 max.	D3	D4	D5	O-rings DASH no.											
							L1	L2	L3	a	s	3.1	3.2	3.3	3.4	3.5	3.8	3.11
1 7/8	2,665	2,685	2,913	2,756	4,488	5,512	2,126	1,378	0,886	3,228	0,579	135	142	142	142	142	137	007
2	2,744	2,764	2,913	2,835	4,488	5,512	2,126	1,378	0,886	3,228	0,579	136	143	143	143	143	138	007
2 1/8	2,862	2,882	3,307	2,953	4,803	5,906	2,126	1,378	0,886	3,622	0,689	138	145	145	145	145	140	007
2 1/4	3,020	3,040	3,307	3,110	4,803	5,906	2,126	1,378	0,886	3,622	0,689	140	147	147	147	147	142	007
2 3/8	3,158	3,158	3,622	3,228	5,079	6,299	2,126	1,378	0,886	3,937	0,689	142	149	149	149	149	144	007
2 1/2	3,256	3,276	3,622	3,346	5,079	6,299	2,126	1,378	0,886	3,937	0,689	144	150	150	150	150	146	007
2 5/8	3,413	3,433	4,094	3,504	5,512	7,087	2,126	1,378	0,886	4,409	0,689	146	151	151	151	151	148	007
2 3/4	3,531	3,551	4,094	3,622	5,512	7,087	2,126	1,378	0,886	4,409	0,689	149	152	152	152	152	150	007

Mechanical seal Type 321R Installation position

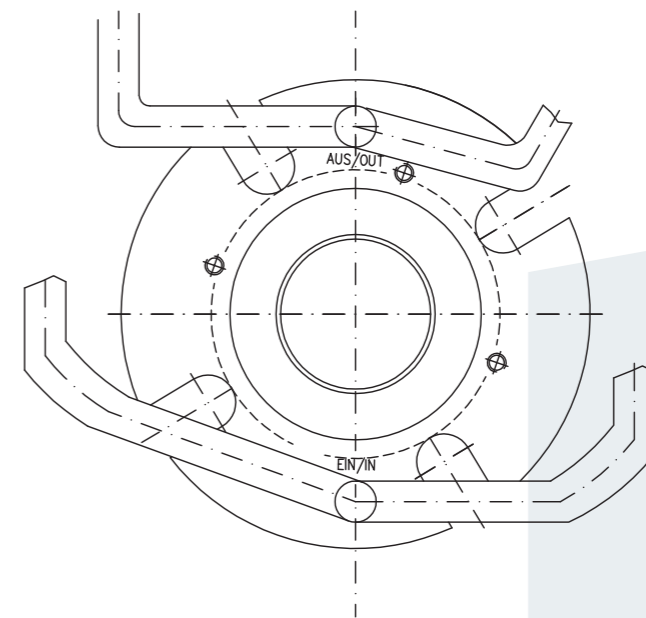
Mechanical seal Type 321R Pipe installation



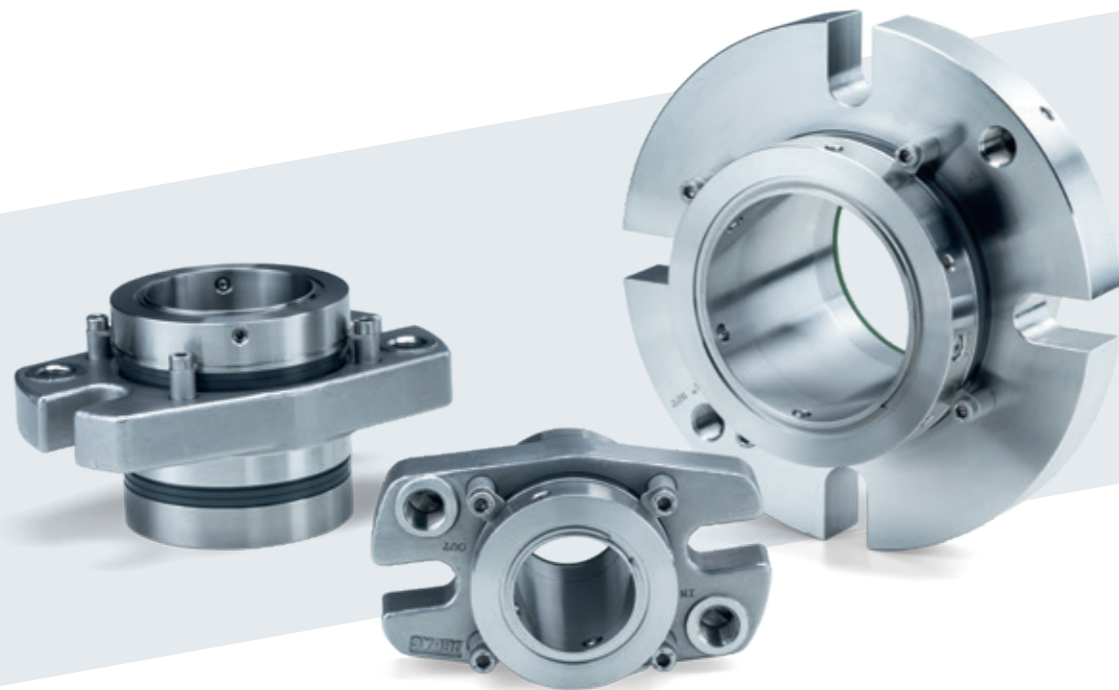
Correct ✓



Incorrect ✗



Mechanical seal Type 322



The DEPAC mechanical seal type 322 is a stationary, tandem-active double-cartridge mechanical seal with integrated barrier fluid pumping assistance. The double pressure relief of the seal faces on the product side also ensures that the seal faces do not open in case of pressure reversal - and that the pressure relief for reducing the friction values is present under all pressure conditions.

The product variants in the form of the types 321 and 323, which are intended for smaller and larger seal chamber cross sections, round off the universal range of application for this mechanical seal.

Advantages

- Integrated barrier fluid pumping assistance
- Cartridge-mounted
- Double balanced
- Tandem active
- Independent of the direction of rotation
- Multiple springs made of Hastelloy C
- Springs outside the medium - no blockage of the springs
- Vibration-dampend stationary face support
- Venting option

Mechanical seal Type 322

Technical specifications

Area of application*

Pressure:	700 mmHg to 28 bar
Temperature:	depending on elastomer
Sliding speed:	up to 35 m/s
Shaft movements:	axial $\leq \varnothing 22 \pm 0.5 \text{ mm} \mid \geq \varnothing 24 \pm 1.0 \text{ mm}$ radial $\leq \varnothing 22 \pm 0.4 \text{ mm} \mid \geq \varnothing 24 \pm 0.5 \text{ mm}$

* The maximum specifications for temperature, pressure and sliding speed apply in each case to independent higher operating conditions. However, this does not mean that the seal will function with all extreme conditions at the same time. If in doubt contact DEPAC.

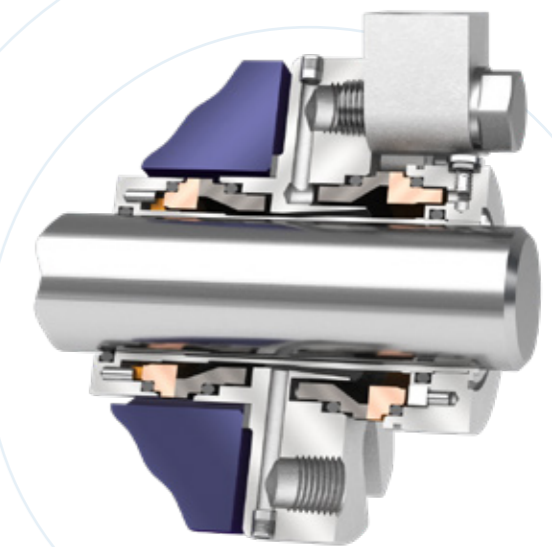
Dimensions

Shaft diameter:	24 – 160 mm $1\frac{5}{16}'' - 6\frac{1}{4}''$ Special sizes on request
-----------------	---

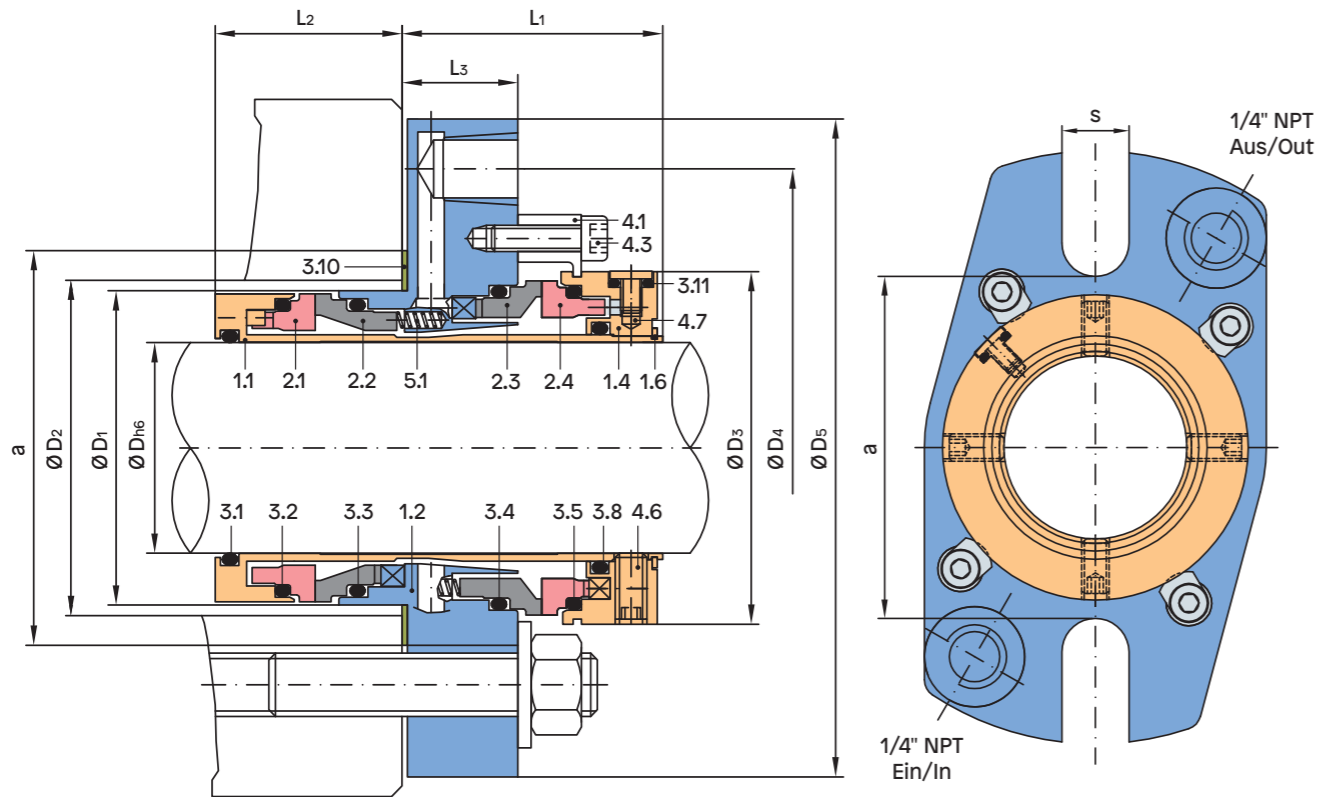
Bill of materials

Item	Description	Material
1.1	Sleeve	1.4571
1.2	Gland	1.4571
1.4	Adjusting ring	1.4571
1.6	Circlip	1.4310
2.1, 2.4	Dynamic seal face	SC/SSIC/TC
2.2, 2.3	Stationary seal face	CA/SC/SSIC/TC
3.1, 3.2, 3.3 3.4, 3.5, 3.8 3.11	O-ring	FKM, EPDM, Kalrez®, PTFE,...
3.10	Flat gasket	Klingersil® C-4300
4.1	Centering piece	Al
4.3	Cheesehead screw	A2
4.6	Threaded pin	A4
4.7	Bleed screw	A2
5.1	Spring	2.4610

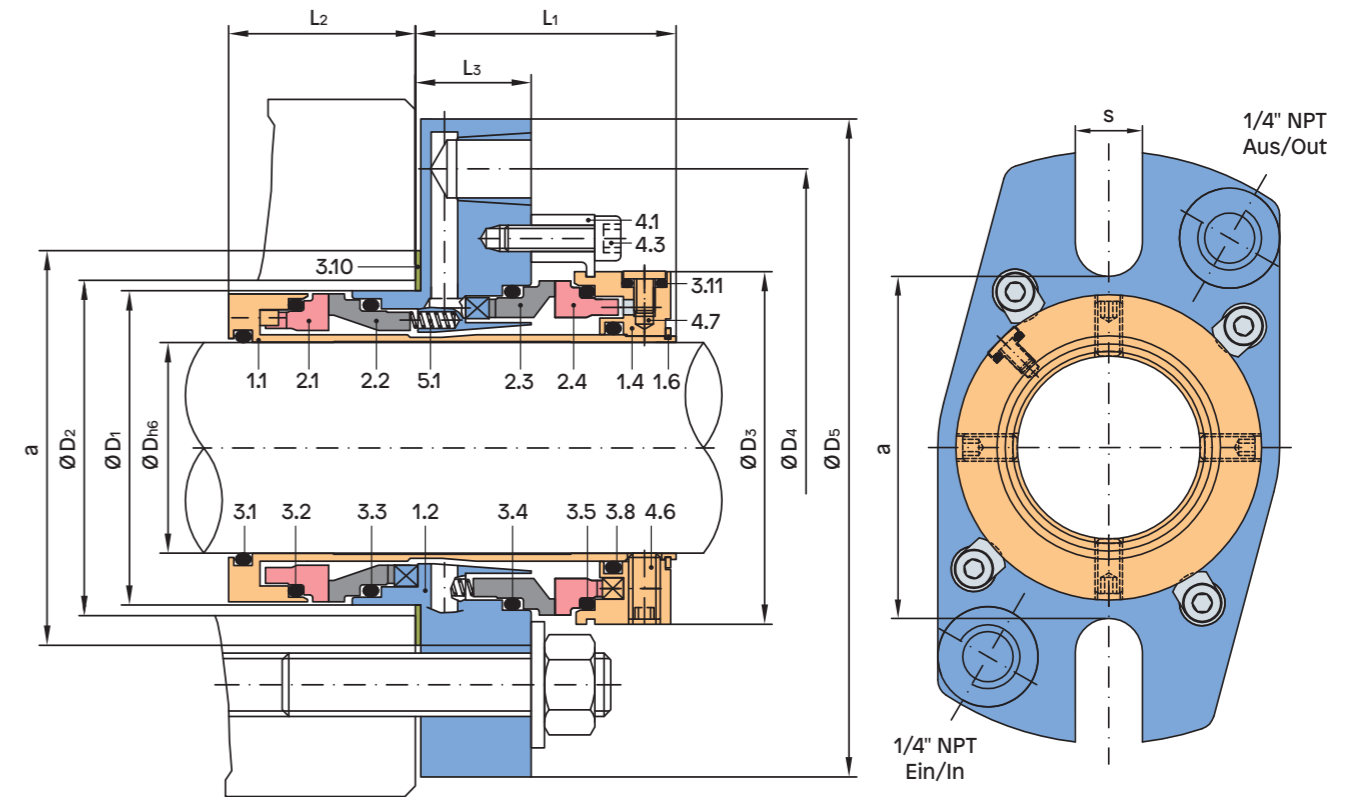
Other materials on request!



Mechanical seal Type 322



Mechanical seal Type 322



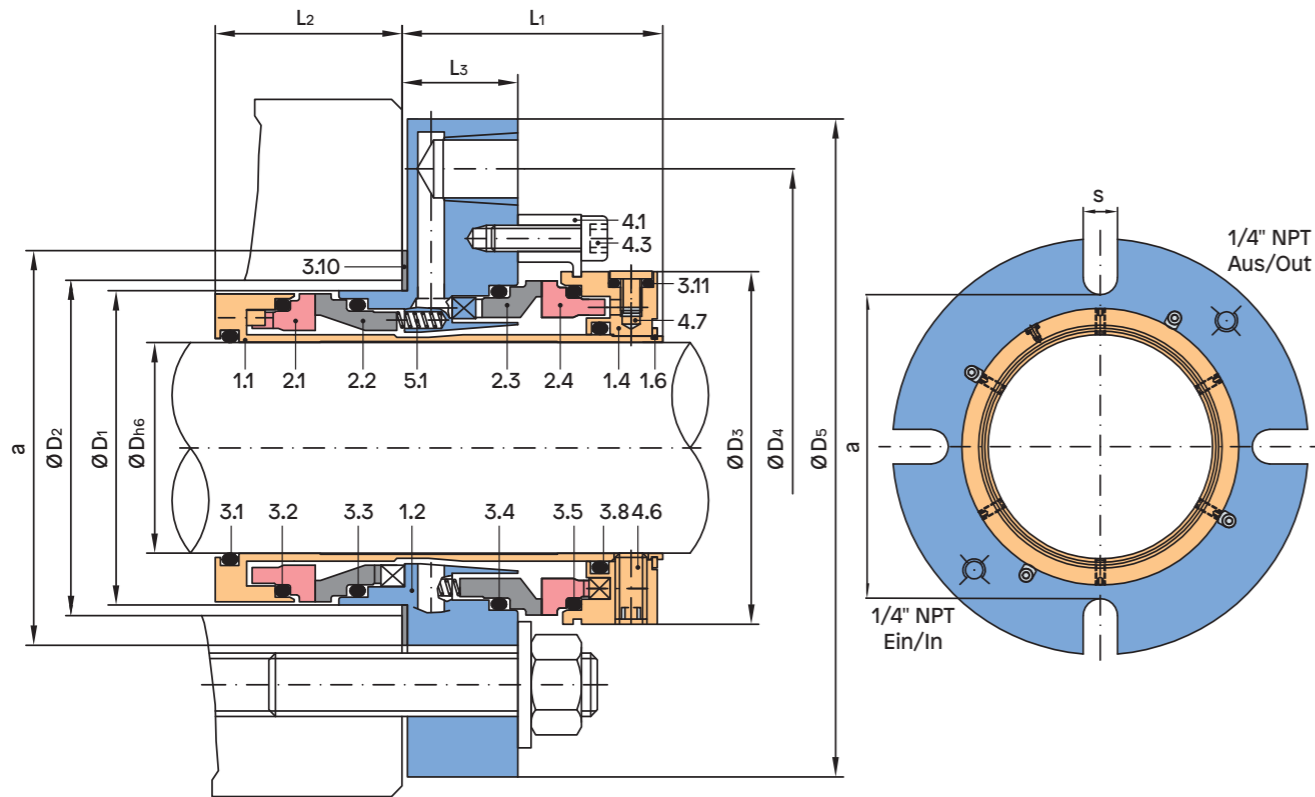
Dimension table $\varnothing 24 - 43$ mm

Dh6	D1	D2 min.	D2 max.	D3	D4	D5	O-rings DASH no.											
							L1	L2	L3	a	s	3.1	3.2	3.3	3.4	3.5	3.8	3.11
24	44,7	45,2	52	52	82	105	50	35	24	60	12,5	119	127	127	130	130	122	007
25	44,7	45,2	52	52	82	105	50	35	24	60	12,5	120	127	127	130	130	122	007
28	47,7	48,2	52	55	82	105	50	35	24	60	12,5	122	129	129	132	132	124	007
30	49,7	50,2	52	57	82	105	50	35	24	60	12,5	123	130	130	133	133	125	007
32	50,9	51,4	52	60	82	105	50	35	24	60	12,5	124	131	131	135	135	127	007
33	50,9	51,4	52	60	82	105	50	35	24	60	12,5	125	131	131	135	135	127	007
35	54,7	55,2	59	62	89	115	50	35	24	67	12,5	126	133	133	137	137	128	007
38	57,7	58,2	67	65	102	130	50	35	24	75	14,7	128	136	136	138	138	130	007
40	59,7	60,2	67	67	102	130	50	35	24	75	14,7	130	137	137	140	140	132	007
42	61,7	62,2	74	69	114	140	50	35	24	82	14,7	131	138	138	141	141	133	007
43	62,7	63,2	74	70	114	140	50	35	24	82	14,7	132	138	138	142	142	133	007

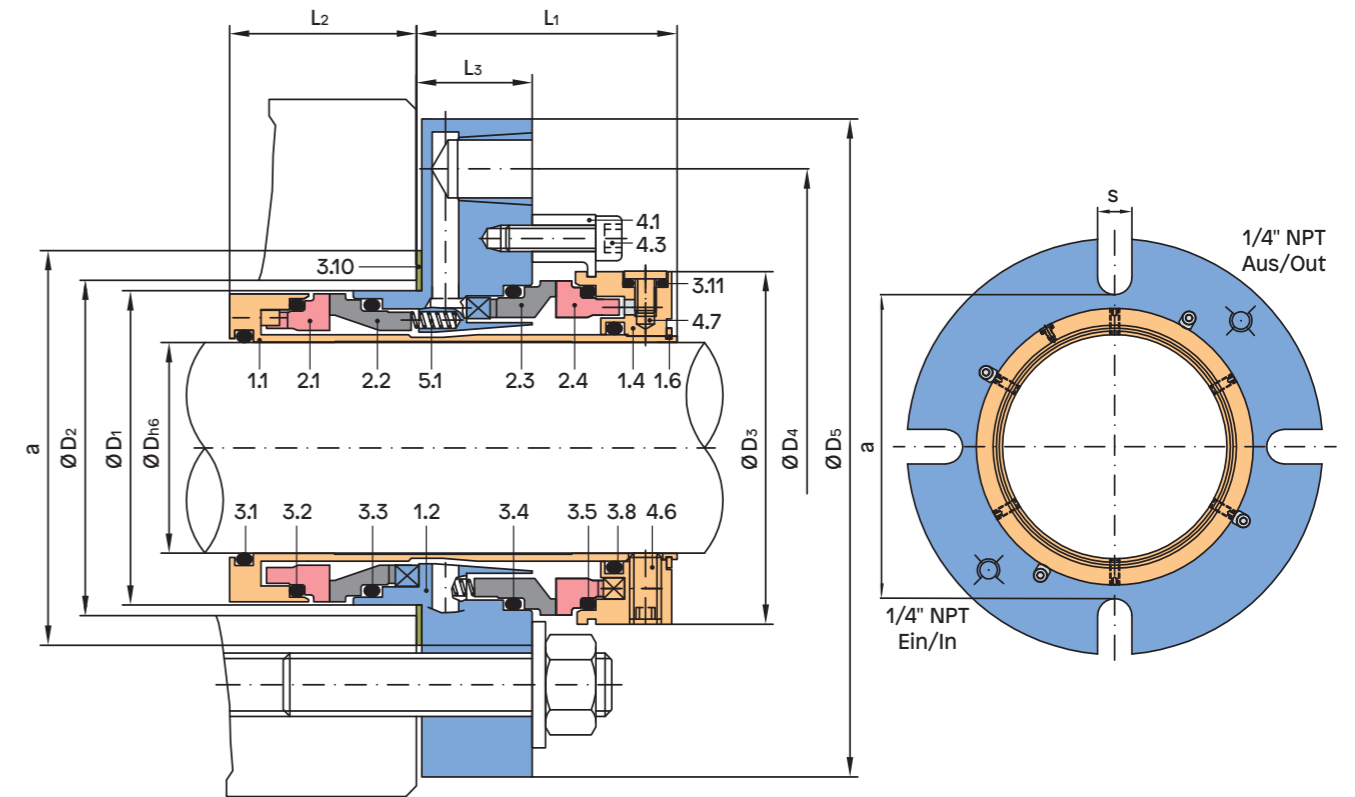
Dimension table $\varnothing 45 - 70$ mm

Dh6	D1	D2 min.	D2 max.	D3	D4	D5	O-rings DASH no.											
							L1	L2	L3	a	s	3.1	3.2	3.3	3.4	3.5	3.8	3.11
45	64,7	65,2	74	72	114	140	50	35	24	82	14,7	133	140	140	143	143	135	007
48	67,7	68,2	74	75	114	140	50	35	24	82	14,7	135	142	142	145	145	137	007
50	69,7	70,2	74	77	114	140	50	35	24	82	14,7	136	143	143	146	146	138	007
53	72,7	73,2	84	80	122	150	50	35	24	92	17,5	138	145	145	148	148	140	007
55	74,7	75,2	84	82	122	150	50	35	24	92	17,5	139	146	146	149	149	141	007
58	77,7	78,2	84	85	122	150	50	35	24	92	17,5	141	148	148	150	150	143	007
60	79,7	80,2	92	87	129	160	50	35	24	100	17,5	142	149	149	151	151	144	007
63	82,7	83,2	92	90	129	160	50	35	24	100	17,5	144	150	150	151	151	146	007
65	84,7	85,2	92	92	129	160	50	35	24	100	17,5	145	151	151	152	152	147	007
68	87,7	88,2	104	95	140	180	50	35	24	112	17,5	147	151	151	152	152	149	007
70	89,7	90,2	104	97	140	180	50	35	24	112	17,5	149	152	152	153	153	150	007

Mechanical seal Type 322



Mechanical seal Type 322



Dimension table Ø 75 – 115 mm

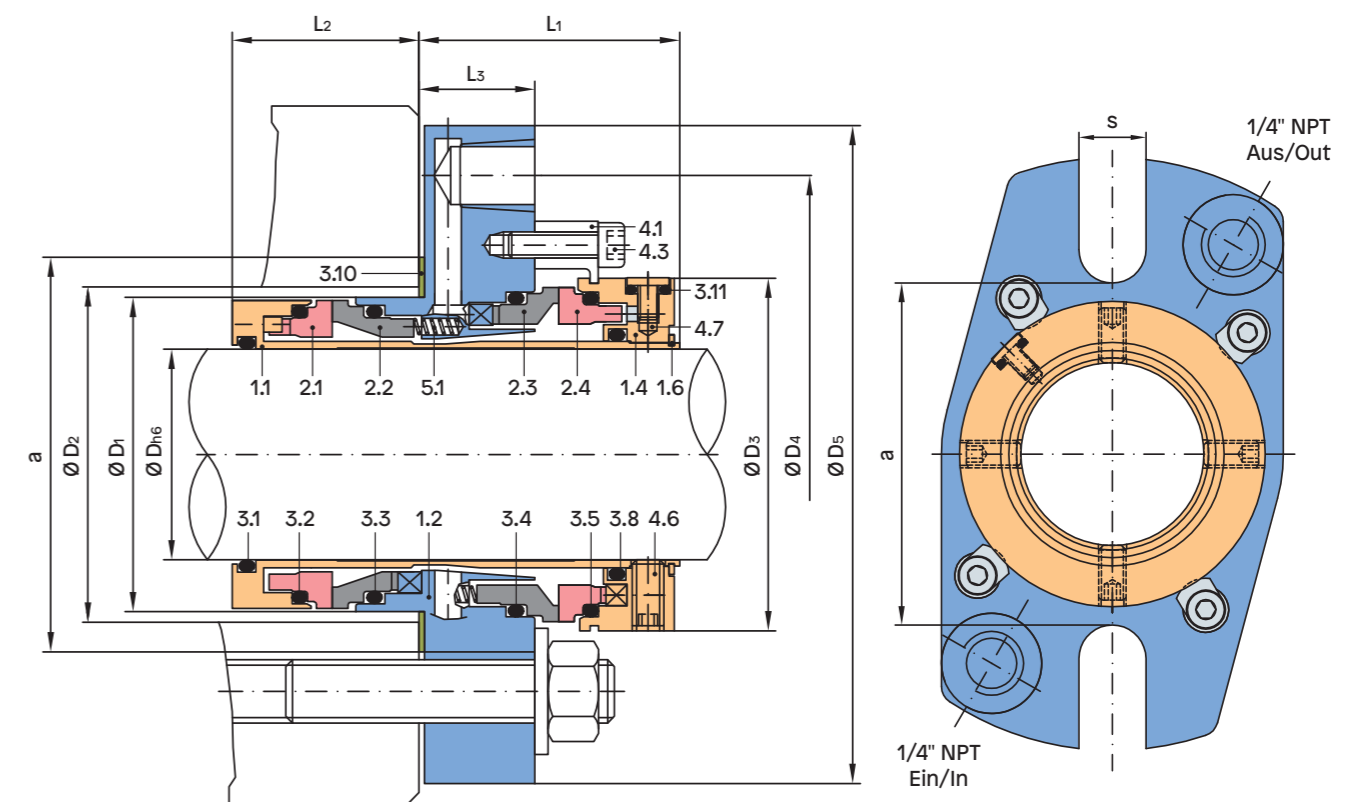
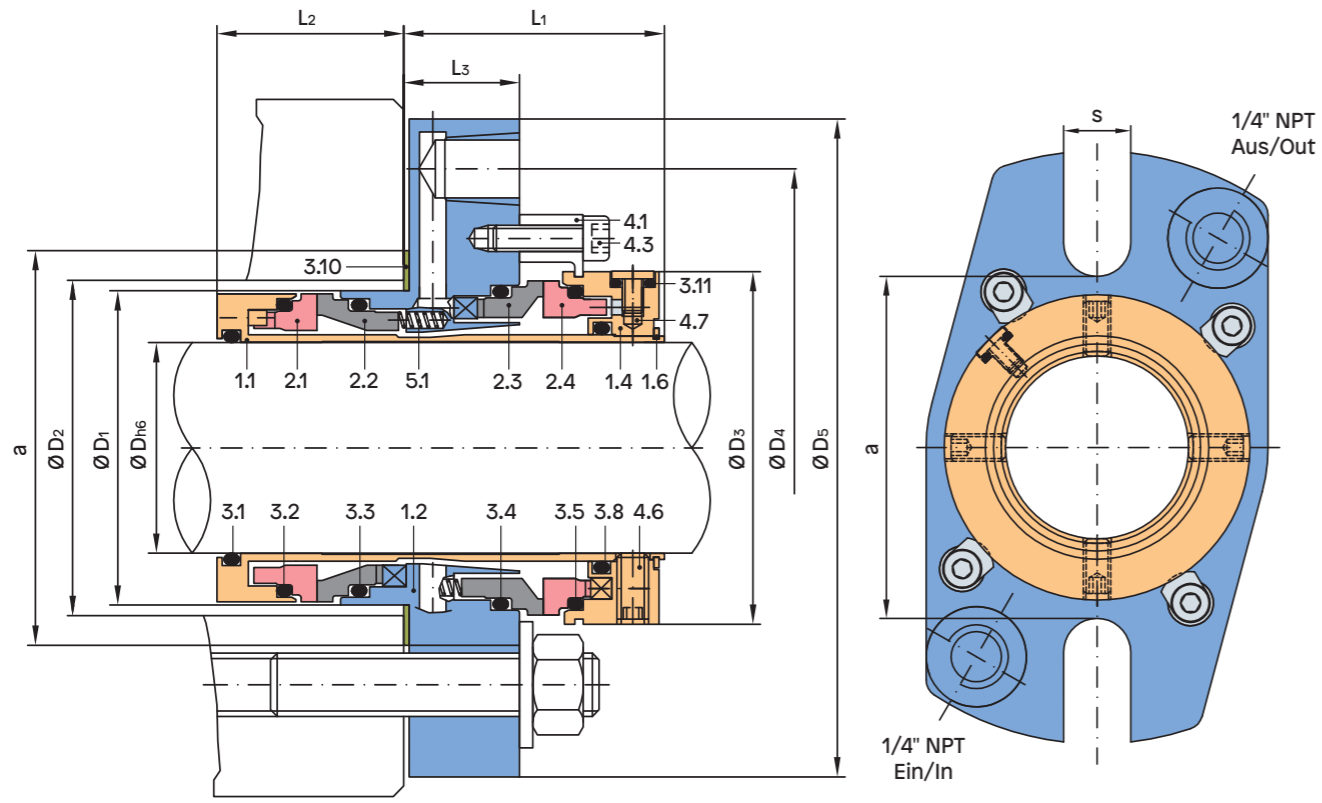
Dh6	D1	D2 min.	D2 max.	D3	D4	D5	O-rings DASH no.											
							L1	L2	L3	a	s	3.1	3.2	3.3	3.4	3.5	3.8	3.11
75	101,5	102	117	108	158	190	54,5	38,5	25,5	125	17,5	234	238	238	240	240	152	007
80	107,8	108,3	122	113	163	190	54,5	38,5	25,5	130	17,5	236	240	240	242	242	153	007
85	111	111,5	127	118	168	220	54,5	38,5	25,5	135	21,5	237	242	242	243	243	153	007
90	117,8	118,3	132	123	173	220	54,5	38,5	25,5	140	21,5	239	243	243	245	245	154	007
95	120,6	121,1	137	128	178	220	54,5	38,5	25,5	145	21,5	240	245	245	246	246	155	007
100	126,9	127,4	142	133	183	220	54,5	38,5	25,5	150	21,5	242	246	246	248	248	156	007
105	132,8	133,3	147	138	188	240	54,5	38,5	25,5	155	21,5	243	248	248	250	250	157	007
110	137,8	138,3	152	143	193	240	54,5	38,5	25,5	160	21,5	245	250	250	251	251	157	007
115	142,8	143,3	157	148	198	240	54,5	38,5	25,5	165	21,5	247	251	251	253	253	158	007

Dimension table Ø 120 – 160 mm

Dh6	D1	D2 min.	D2 max.	D3	D4	D5	O-rings DASH no.											
							L1	L2	L3	a	s	3.1	3.2	3.3	3.4	3.5	3.8	3.11
120	147,8	148,3	162	153	203	240	54,5	38,5	25,5	170	21,5	248	253	253	254	254	159	007
125	152,8	153,3	167	158	208	260	54,5	38,5	25,5	175	21,5	250	254	254	256	256	160	007
130	157,8	158,3	172	163	213	260	54,5	38,5	25,5	180	21,5	251	256	256	257	257	161	007
135	162,8	163,3	177	168	218	260	54,5	38,5	25,5	185	21,5	253	257	257	258	258	161	007
140	167,8	168,3	182	173	223	260	54,5	38,5	25,5	190	21,5	255	258	258	259	259	162	007
145	172,8	173,3	187	178	228	280	54,5	38,5	25,5	195	21,5	256	259	259	260	260	163	007
150	177,8	178,3	192	183	233	280	54,5	38,5	25,5	200	21,5	258	260	260	261	261	164	007
155	182,8	183,3	197	188	238	280	54,5	38,5	25,5	205	21,5	259	261	261	261	261	164	007
160	187,8	188,3	202	193	243	280	54,5	38,5	25,5	210	21,5	260	261	261	262	262	165	007

Mechanical seal Type 322

Mechanical seal Type 322



Dimension table $\varnothing 1\frac{5}{16} - 1\frac{3}{4}$ inches

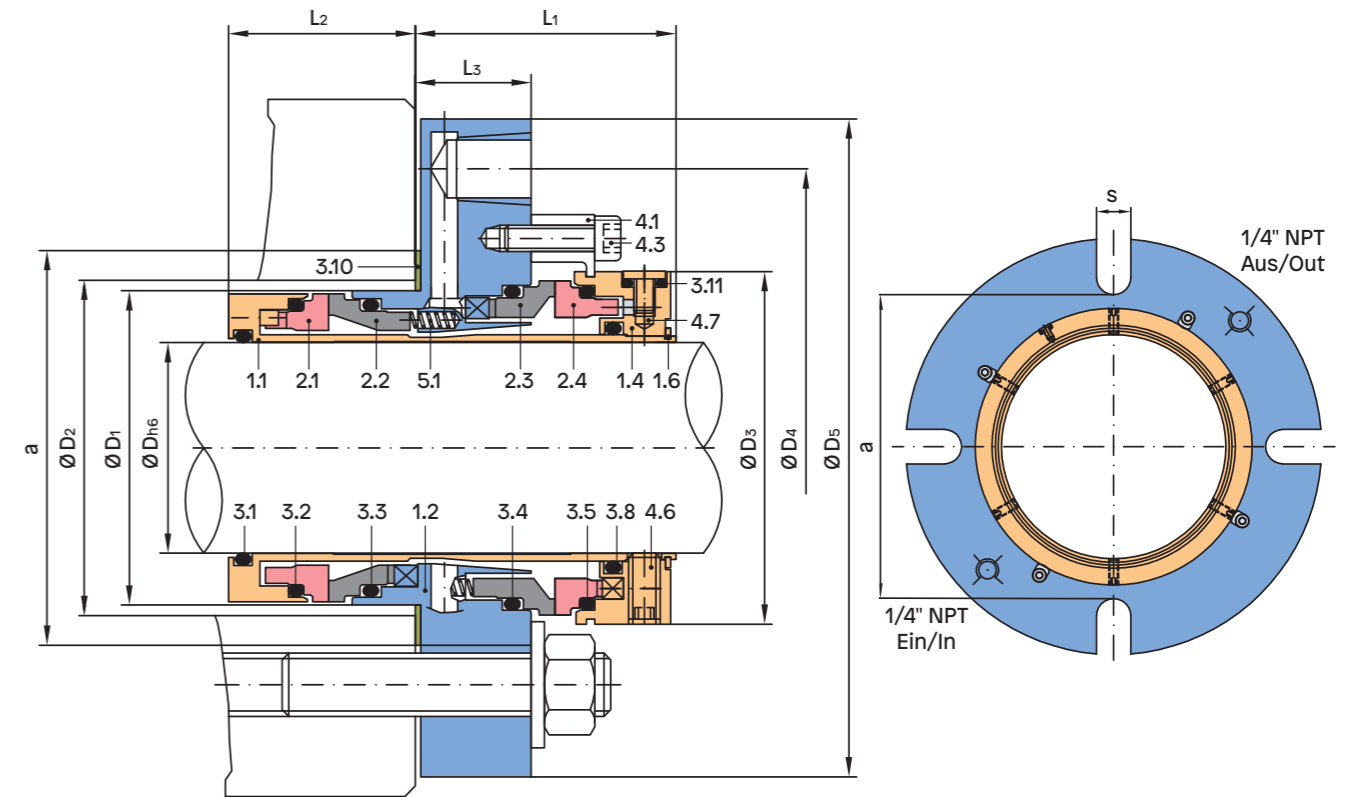
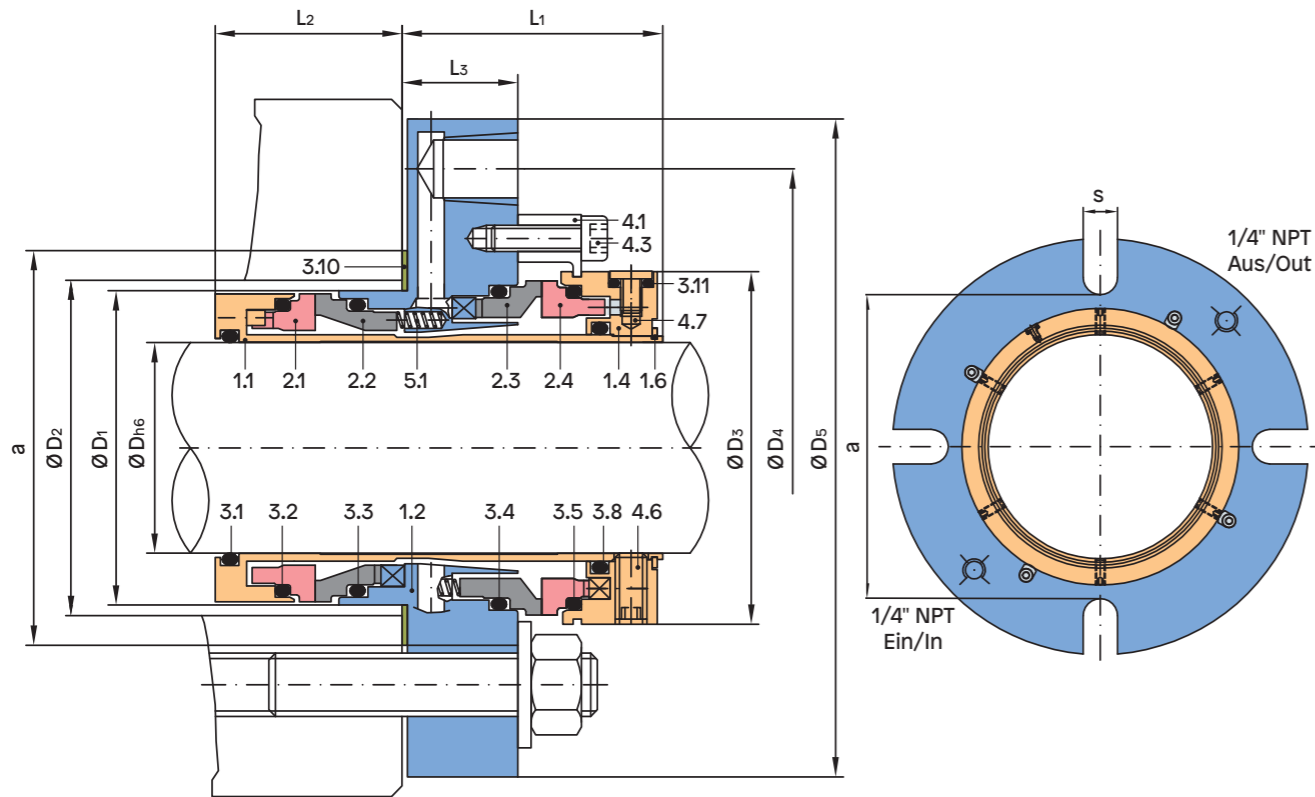
Dimension table $\varnothing 1\frac{7}{8} - 2\frac{3}{4}$ inches

Dh6	D1	D2 min.	D2 max.	D3	D4	D5	L1	L2	L3	a	s	O-rings DASH no.						
												3.1	3.2	3.3	3.4	3.5	3.8	3.11
1 ⁵ / ₁₆	1,760	1,780	2,047	2,047	3,228	4,134	1,969	1,378	0,945	2,362	0,492	119	127	127	130	130	122	007
1	1,760	1,780	2,047	2,047	3,228	4,134	1,969	1,378	0,945	2,362	0,492	120	127	127	130	130	122	007
1 1/8	1,878	1,898	2,047	2,165	3,228	4,134	1,969	1,378	0,945	2,362	0,492	122	129	129	132	132	124	007
1 1/4	2,004	2,024	2,047	2,323	3,228	4,134	1,969	1,378	0,945	2,362	0,492	124	131	131	135	135	126	007
1 3/8	2,154	2,173	2,323	2,441	3,504	4,528	1,969	1,378	0,945	2,638	0,492	126	133	133	137	137	128	007
1 7/16	2,232	2,252	2,638	2,520	4,016	5,118	1,969	1,378	0,945	2,953	0,579	127	135	135	138	138	130	007
1 1/2	2,250	2,270	2,638	2,559	4,016	5,118	1,969	1,378	0,945	2,953	0,579	128	136	136	138	138	130	007
1 5/8	2,375	2,395	2,913	2,717	4,488	5,512	1,969	1,378	0,945	3,228	0,579	131	137	137	140	140	132	007
1 3/4	2,500	2,520	2,913	2,835	4,488	5,512	1,969	1,378	0,945	3,228	0,579	133	139	139	142	142	134	007

Dh6	D1	D2 min.	D2 max.	D3	D4	D5	L1	L2	L3	a	s	O-rings DASH no.						
												3.1	3.2	3.3	3.4	3.5	3.8	3.11
1 7/8	2,625	2,645	2,913	2,953	4,488	5,512	1,969	1,378	0,945	3,228	0,579	135	141	141	144	144	136	007
2	2,750	2,770	2,913	3,031	4,488	5,512	1,969	1,378	0,945	3,228	0,689	136	143	143	146	146	138	007
2 1/8	2,875	2,895	3,307	3,150	4,803	5,906	1,969	1,378	0,945	3,622	0,689	138	145	145	148	148	140	007
2 1/4	3,000	3,020	3,307	3,307	4,803	5,906	1,969	1,378	0,945	3,622	0,689	140	147	147	150	150	142	007
2 3/8	3,125	3,145	3,622	3,425	5,079	6,299	1,969	1,378	0,945	3,937	0,689	142	149	149	151	151	144	007
2 1/2	3,250	3,270	3,622	3,543	5,079	6,299	1,969	1,378	0,945	3,937	0,689	144	150	150	151	151	146	007
2 5/8	3,625	3,645	4,094	3,701	5,512	7,087	1,969	1,378	0,945	4,409	0,689	146	151	151	152	152	148	007
2 3/4	3,750	3,770	4,094	3,819	5,512	7,087	1,969	1,378	0,945	4,409	0,689	149	152	152	153	153	150	007

Mechanical seal Type 322

Mechanical seal Type 322



Dimension table $\varnothing 2 \frac{7}{8} - 4 \frac{1}{4}$ inches

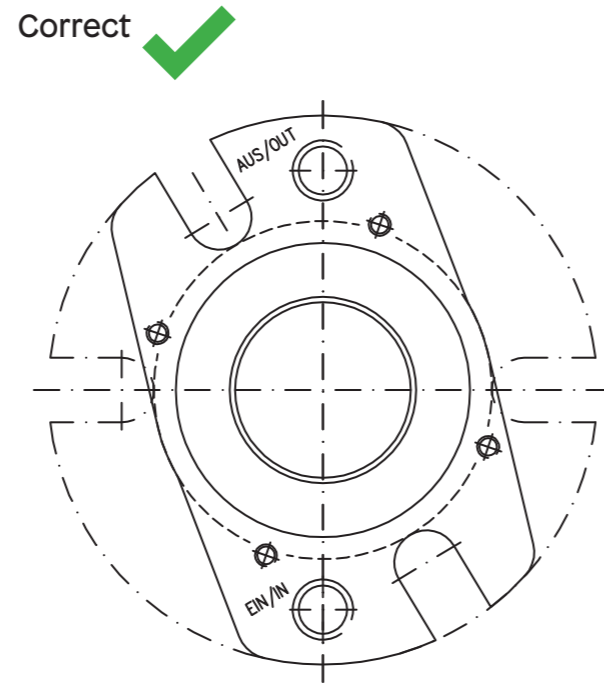
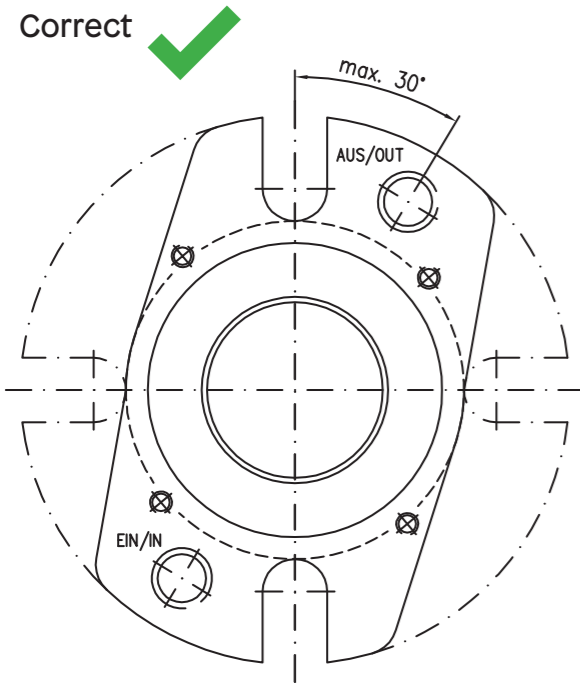
Dh6	D1	D2 min.	D2 max.	D3	D4	D5	O-rings DASH no.											
							L1	L2	L3	a	s	3.1	3.2	3.3	3.4	3.5	3.8	3.11
2 7/8	3,875	3,895	4,528	4,173	6,142	7,480	2,146	1,516	1,004	4,843	0,689	233	238	238	239	239	152	007
3	4,000	4,020	4,606	4,252	6,220	7,480	2,146	1,516	1,004	4,921	0,689	234	238	238	240	240	152	007
3 1/8	4,125	4,145	4,803	4,449	6,378	7,480	2,146	1,516	1,004	5,118	0,689	236	240	240	241	241	153	007
3 1/4	4,250	4,270	4,921	4,567	6,496	8,661	2,146	1,516	1,004	5,236	0,689	236	241	241	242	242	153	007
3 3/8	4,375	4,395	5,000	4,646	6,614	8,661	2,146	1,516	1,004	5,315	0,846	237	242	242	243	243	153	007
3 1/2	4,500	4,520	5,197	4,843	6,772	8,661	2,146	1,516	1,004	5,512	0,846	239	243	243	245	245	154	007
3 5/8	4,625	4,645	5,276	4,921	6,890	8,661	2,146	1,516	1,004	5,591	0,846	239	244	244	245	245	155	007
3 3/4	4,750	4,770	5,394	5,039	7,008	8,661	2,146	1,516	1,004	5,709	0,846	240	245	245	246	246	155	007
4	5,000	5,020	5,591	5,236	7,205	8,661	2,146	1,516	1,004	5,906	0,846	242	246	246	248	248	156	007
4 1/8	5,228	5,248	5,787	5,433	7,402	9,449	2,146	1,516	1,004	6,102	0,846	243	248	248	250	250	157	007
4 1/4	5,425	5,445	5,984	5,630	7,598	9,449	2,146	1,516	1,004	6,299	0,846	244	250	250	251	251	157	007

Dimension table $\varnothing 4 \frac{15}{16} - 6 \frac{1}{4}$ inches

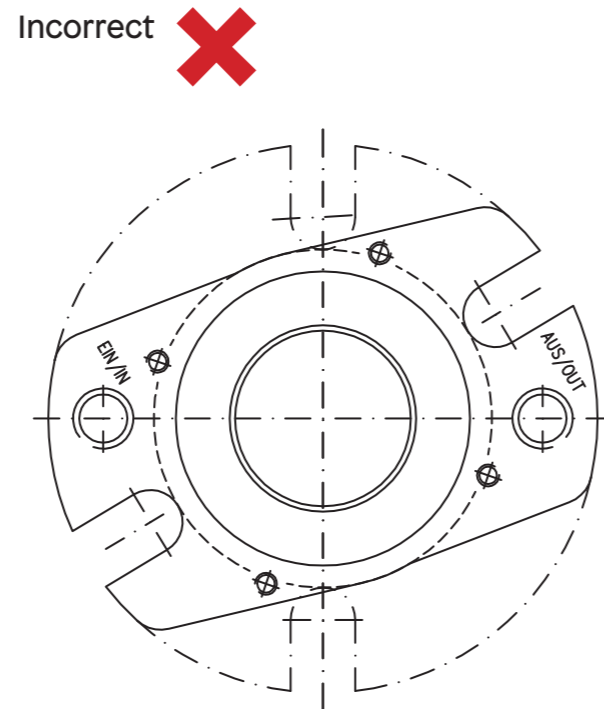
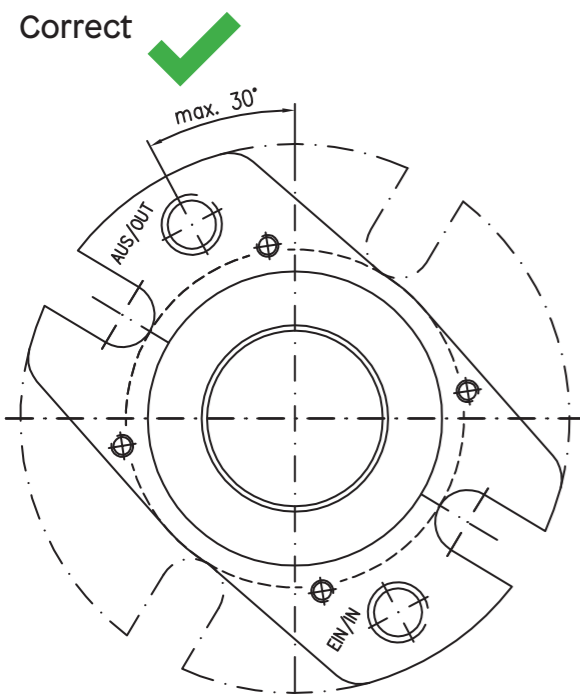
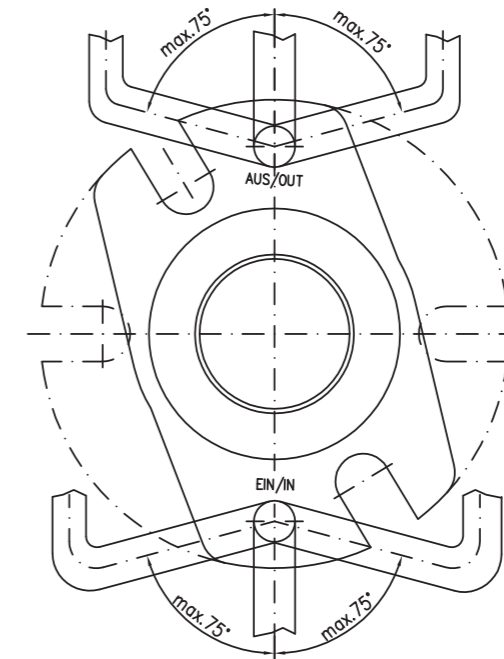
Dh6	D1	D2 min.	D2 max.	D3	D4	D5	O-rings DASH no.											
							L1	L2	L3	a	s	3.1	3.2	3.3	3.4	3.5	3.8	3.11
4 15/16	5,425	5,445	5,984	5,630	7,598	9,449	2,146	1,516	1,004	6,299	0,846	245	250	250	251	251	157	007
4 1/2	5,622	5,642	6,181	5,827	7,795	9,449	2,146	1,516	1,004	6,496	0,846	246	251	251	253	253	158	007
4 3/4	5,819	5,839	6,378	6,024	7,992	9,449	2,146	1,516	1,004	6,693	0,846	248	253	253	254	254	159	007
5	6,213	6,232	6,772	6,417	8,386	10,236	2,146	1,516	1,004	7,087	0,846	250	256	256	257	257	161	007
5 1/8	6,213	6,232	6,772	6,417	8,386	10,236	2,146	1,516	1,004	7,087	0,846	251	256	256	257	257	161	007
5 1/4	6,409	6,429	6,969	6,614	8,583	10,236	2,146	1,516	1,004	7,283	0,846	252	257	257	258	258	161	007
5 1/2	6,606	6,626	7,165	6,811	8,780	10,236	2,146	1,516	1,004	7,480	0,846	254	258	258	259	259	162	007
5 3/4	6,803	6,823	7,362	7,008	8,976	11,024	2,146	1,516	1,004	7,677	0,846	256	259	259	260	260	163	007
6	7,197	7,217	7,756	7,402	9,370	11,024	2,146	1,516	1,004	8,071	0,846	258	261	261	261	261	164	007
6 1/4	7,394	7,413	7,953	7,598	9,567	11,024	2,146	1,516	1,004	8,268	0,846	259	261	261	262	262	165	007

Mechanical seal Type 322 Installation position

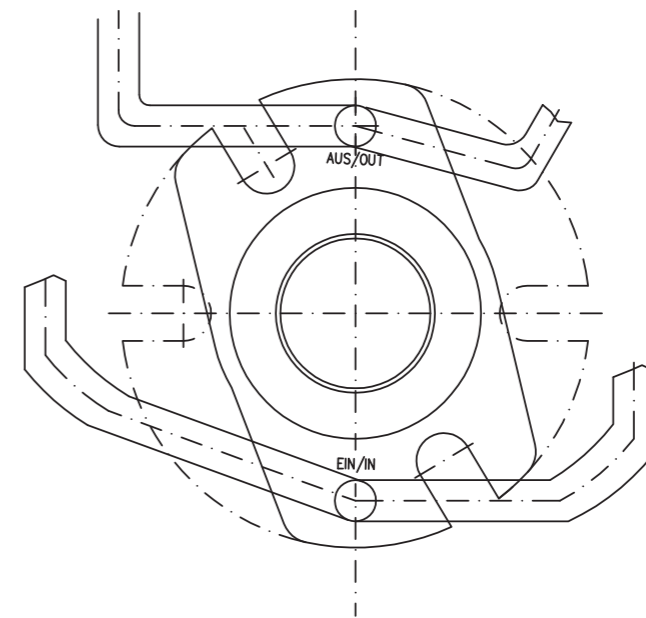
Mechanical seal Type 322 Pipe installation



Correct ✓



Incorrect ✗



Mechanical seal Type 322R



The DEPAC mechanical seal type 322R is a product variant of the type 322. This stationary, tandem-active, double-cartridge mechanical seal with integrated barrier fluid pumping assistance is available in all sizes with a round gland and four fastening slots. The double pressure relief of the seal faces on the product side also ensures that the seal faces do not open in case of pressure reversal - and that the pressure relief for reducing the friction values is present under all pressure conditions. The product variants in the form of the types 321(R) and 323(R), which are intended for smaller and larger seal chamber cross sections, round off the universal range of applications for this mechanical seal.

Advantages

- Integrated barrier fluid pumping assistance
- Cartridge-mounted
- Double balanced
- Tandem active
- Independent of the direction of rotation
- Multiple springs made of Hastelloy C
- Springs outside the medium - no blockage of the springs
- Vibration-dampend stationary face support
- Venting option

Mechanical seal Type 322R

Technical specifications

Area of application*

Pressure:	700 mmHg to 28 bar
Temperature:	depending on elastomer
Sliding speed:	up to 35 m/s
Shaft movements:	axial $\leq \varnothing 22 \pm 0.5 \text{ mm} \mid \geq \varnothing 24 \pm 1.0 \text{ mm}$ radial $\leq \varnothing 22 \pm 0.4 \text{ mm} \mid \geq \varnothing 24 \pm 0.5 \text{ mm}$

* The maximum specifications for temperature, pressure and sliding speed apply in each case to independent higher operating conditions. However, this does not mean that the seal will function with all extreme conditions at the same time. If in doubt contact DEPAC.

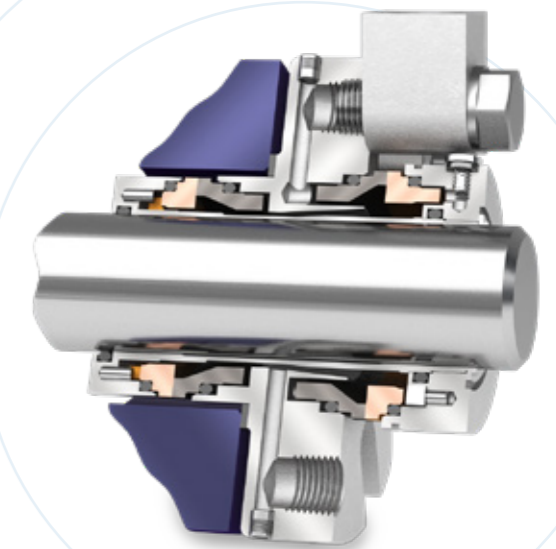
Dimensions

Shaft diameter:	24 – 70 mm $1\frac{5}{16}'' - 4\frac{1}{4}''$ Special sizes on request
-----------------	--

Bill of materials

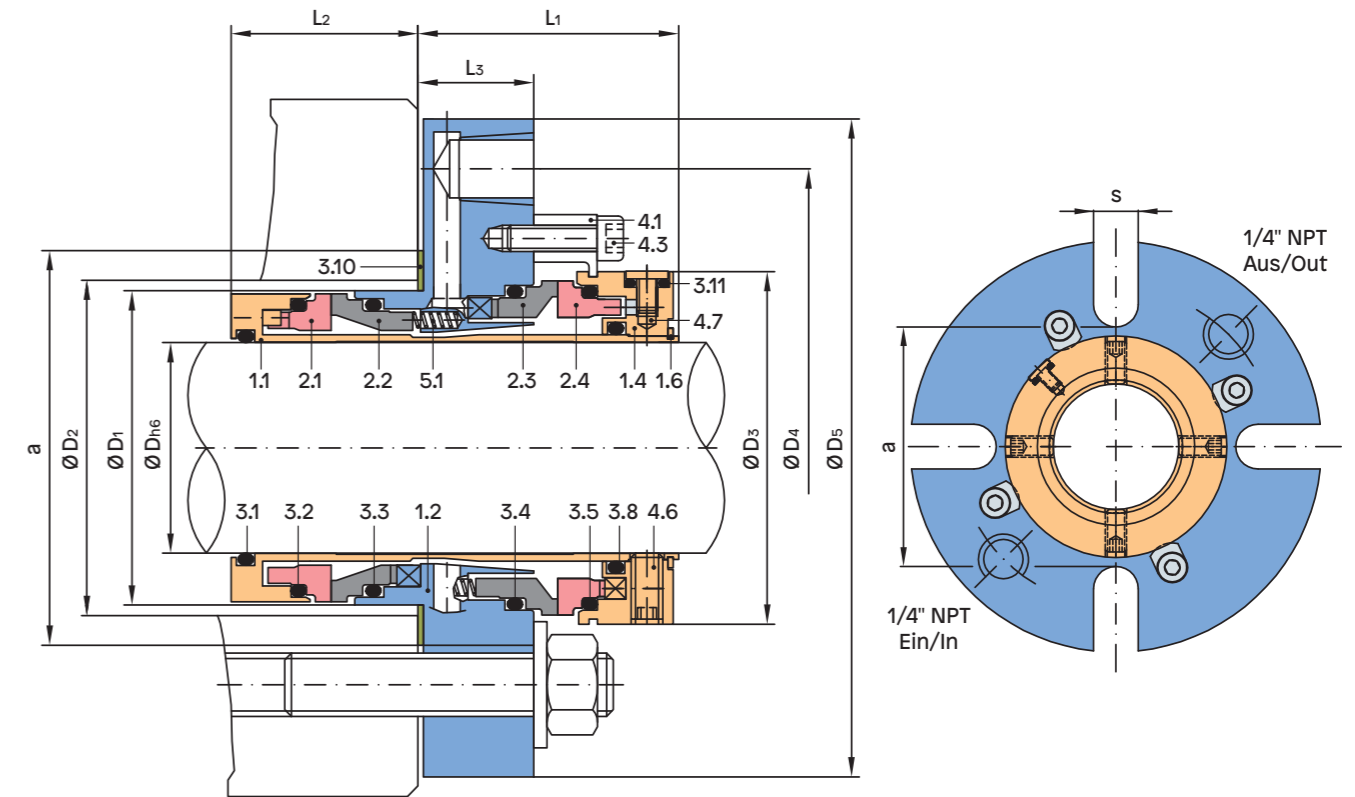
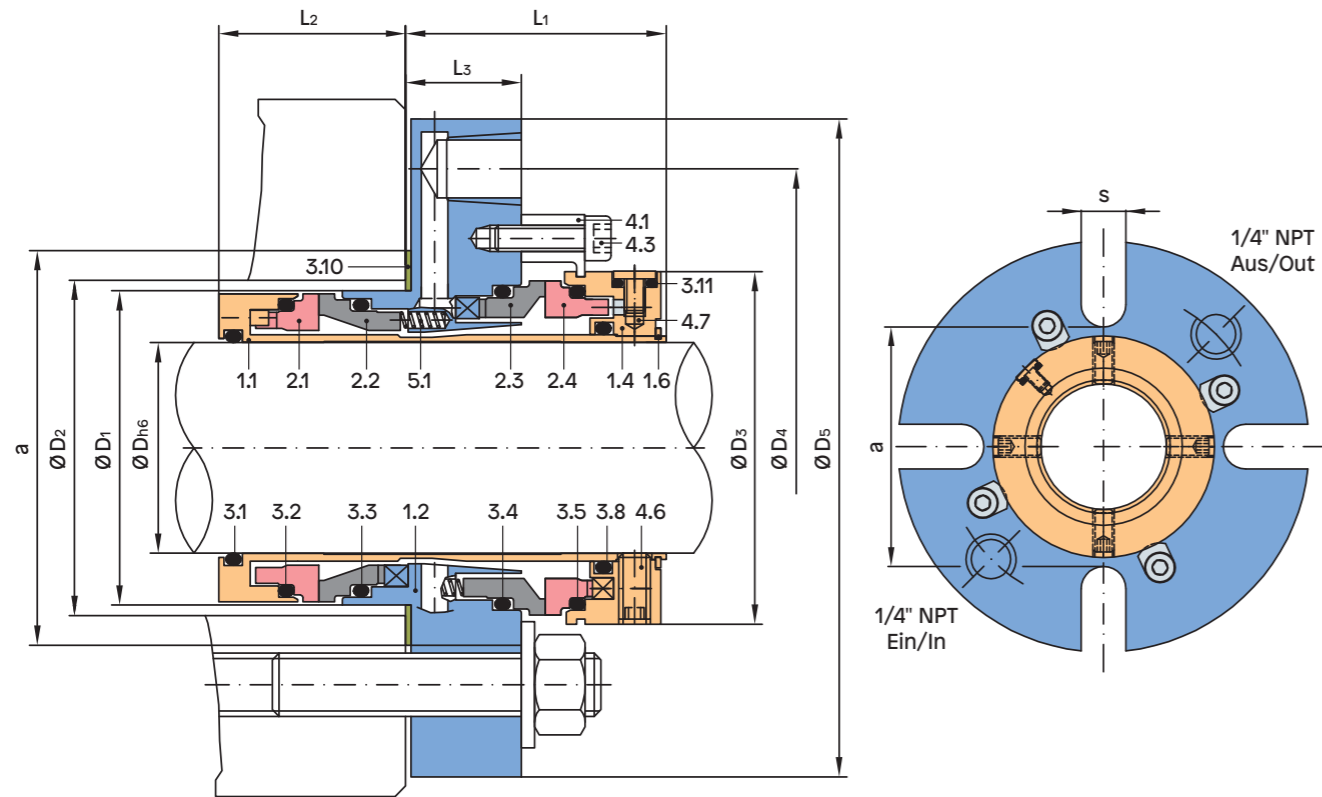
Item	Description	Material
1.1	Sleeve	1.4571
1.2	Gland	1.4571
1.4	Adjusting ring	1.4571
1.6	Circlip	1.4310
2.1, 2.4	Dynamic seal face	SC/SSIC/TC
2.2, 2.3	Stationary seal face	CA/SC/SSIC/TC
3.1, 3.2, 3.3 3.4, 3.5, 3.8 3.11	O-ring	FKM, EPDM, Kalrez®, PTFE,...
3.10	Flat gasket	Klingersil® C-4300
4.1	Centering piece	Al
4.3	Cheesehead screw	A2
4.6	Threaded pin	A4
4.7	Bleed screw	A2
5.1	Spring	2.4610

Other materials on request!



Mechanical seal Type 322R

Mechanical seal Type 322R



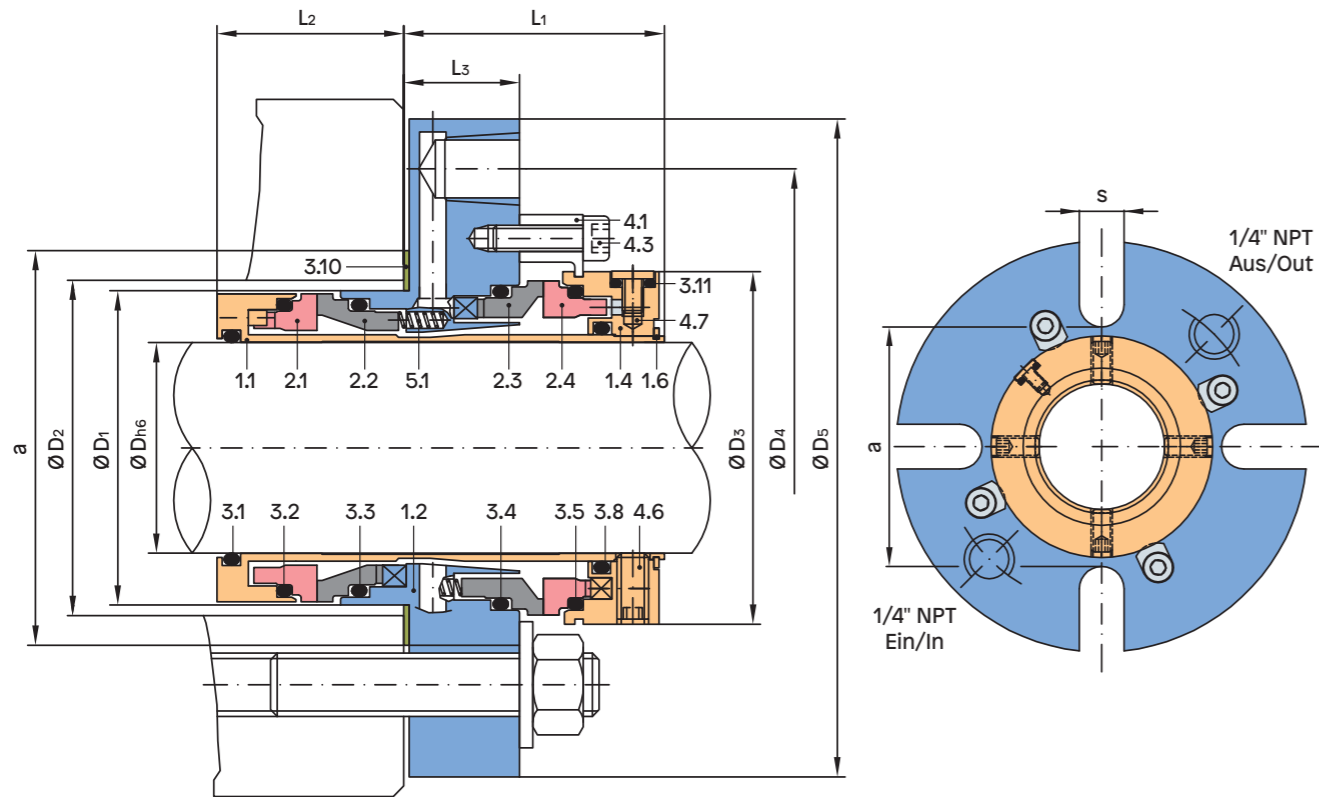
Dimension table Ø 24 – 43 mm

Dimension table Ø 45 – 70 mm

O-rings DASH no.																		
Dh6	D1	D2 min.	D2 max.	D3	D4	D5	L1	L2	L3	a	s	3.1	3.2	3.3	3.4	3.5	3.8	3.11
24	44,7	45,2	52	52	82	105	50	35	24	60	12,5	119	127	127	130	130	122	007
25	44,7	45,2	52	52	82	105	50	35	24	60	12,5	120	127	127	130	130	122	007
28	47,7	48,2	52	55	82	105	50	35	24	60	12,5	122	129	129	132	132	124	007
30	49,7	50,2	52	57	82	105	50	35	24	60	12,5	123	130	130	133	133	125	007
32	50,9	51,4	52	60	82	105	50	35	24	60	12,5	124	131	131	135	135	127	007
33	50,9	51,4	52	60	82	105	50	35	24	60	12,5	125	131	131	135	135	127	007
35	54,7	55,2	59	62	89	115	50	35	24	67	12,5	126	133	133	137	137	128	007
38	57,7	58,2	67	65	102	130	50	35	24	75	14,7	128	136	136	138	138	130	007
40	59,7	60,2	67	67	102	130	50	35	24	75	14,7	130	137	137	140	140	132	007
42	61,7	62,2	74	69	114	140	50	35	24	82	14,7	131	138	138	141	141	133	007
43	62,7	63,2	74	70	114	140	50	35	24	82	14,7	132	138	138	142	142	133	007

O-rings DASH no.																		
Dh6	D1	D2 min.	D2 max.	D3	D4	D5	L1	L2	L3	a	s	3.1	3.2	3.3	3.4	3.5	3.8	3.11
45	64,7	65,2	74	72	114	140	50	35	24	82	14,7	133	140	140	143	143	135	007
48	67,7	68,2	74	75	114	140	50	35	24	82	14,7	135	142	142	145	145	137	007
50	69,7	70,2	74	77	114	140	50	35	24	82	14,7	136	143	143	146	146	138	007
53	72,7	73,2	84	80	122	150	50	35	24	92	17,5	138	145	145	148	148	140	007
55	74,7	75,2	84	82	122	150	50	35	24	92	17,5	139	146	146	149	149	141	007
58	77,7	78,2	84	85	122	150	50	35	24	92	17,5	141	148	148	150	150	143	007
60	79,7	80,2	92	87	129	160	50	35	24	100	17,5	142	149	149	151	151	144	007
63	82,7	83,2	92	90	129	160	50	35	24	100	17,5	144	150	150	151	151	146	007
65	84,7	85,2	92	92	129	160	50	35	24	100	17,5	145	151	151	152	152	147	007
68	87,7	88,2	104	95	140	180	50	35	24	112	17,5	147	151	151	152	152	149	007
70	89,7	90,2	104	97	140	180	50	35	24	112	17,5	149	152	152	153	153	150	007

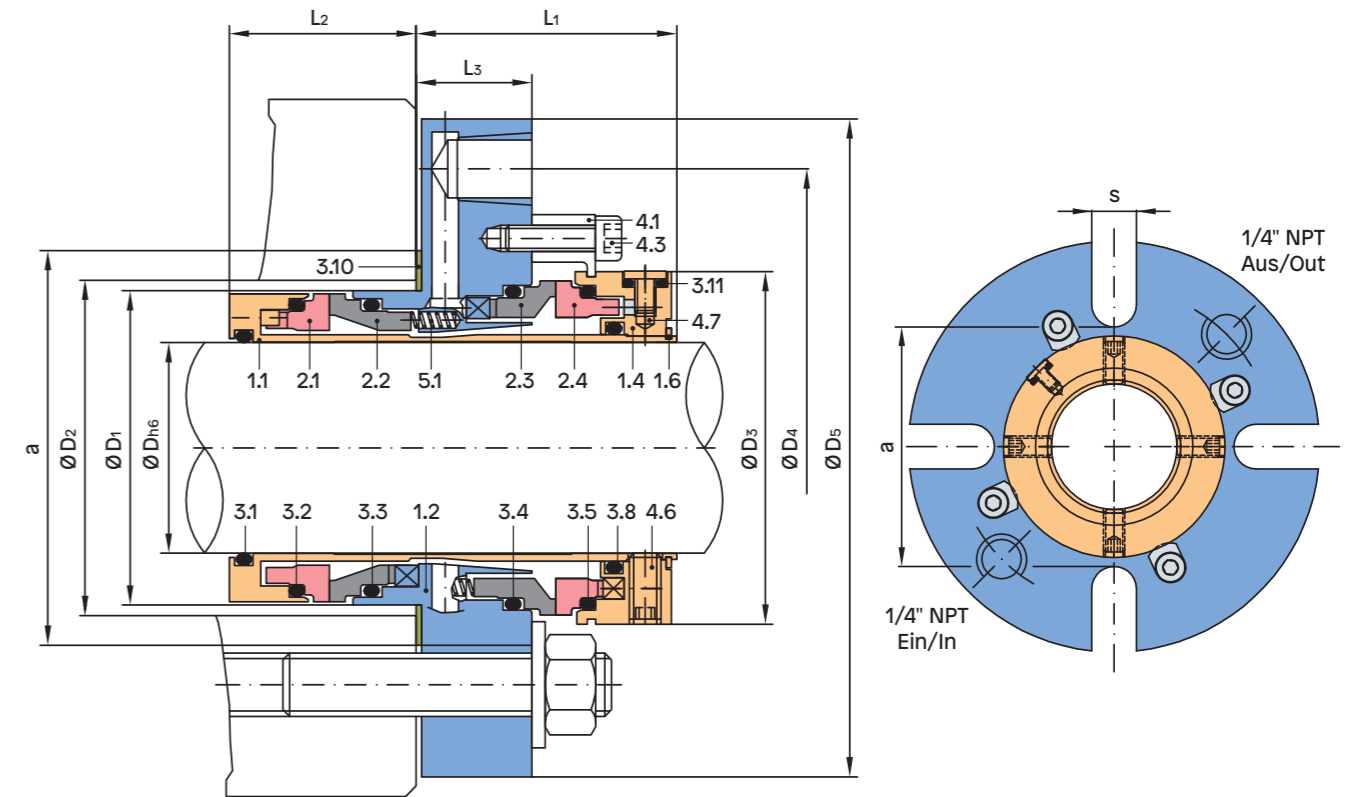
Mechanical seal Type 322R



Dimension table $\varnothing 1\frac{5}{16} - 2\frac{3}{8}$ inches

Dh6	D1	D2 min.	D2 max.	D3	D4	D5	L1	L2	L3	a	s	O-rings DASH no.						
												3.1	3.2	3.3	3.4	3.5	3.8	3.11
1 5/16	1,760	1,780	2,047	2,047	3,228	4,134	1,969	1,378	0,945	2,362	0,492	119	127	127	130	130	122	007
1	1,760	1,780	2,047	2,047	3,228	4,134	1,969	1,378	0,945	2,362	0,492	120	127	127	130	130	122	007
1 1/8	1,878	1,898	2,047	2,165	3,228	4,134	1,969	1,378	0,945	2,362	0,492	122	129	129	132	132	124	007
1 1/4	2,004	2,024	2,047	2,323	3,228	4,134	1,969	1,378	0,945	2,362	0,492	124	131	131	135	135	126	007
1 3/8	2,154	2,173	2,323	2,441	3,504	4,528	1,969	1,378	0,945	2,638	0,492	126	133	133	137	137	128	007
1 7/16	2,232	2,252	2,638	2,520	4,016	5,118	1,969	1,378	0,945	2,953	0,579	127	135	135	138	138	130	007
1 1/2	2,250	2,270	2,638	2,559	4,016	5,118	1,969	1,378	0,945	2,953	0,579	128	136	136	138	138	130	007
1 5/8	2,375	2,395	2,913	2,717	4,488	5,512	1,969	1,378	0,945	3,228	0,579	131	137	137	140	140	132	007
1 3/4	2,500	2,520	2,913	2,835	4,488	5,512	1,969	1,378	0,945	3,228	0,579	133	139	139	142	142	134	007
1 7/8	2,625	2,645	2,913	2,953	4,488	5,512	1,969	1,378	0,945	3,228	0,579	135	141	141	144	144	136	007
2	2,750	2,770	2,913	3,031	4,488	5,512	1,969	1,378	0,945	3,228	0,689	136	143	143	146	146	138	007
2 1/8	2,875	2,895	3,307	3,150	4,803	5,906	1,969	1,378	0,945	3,622	0,689	138	145	145	148	148	140	007
2 1/4	3,000	3,020	3,307	3,307	4,803	5,906	1,969	1,378	0,945	3,622	0,689	140	147	147	150	150	142	007
2 3/8	3,125	3,145	3,622	3,425	5,079	6,299	1,969	1,378	0,945	3,937	0,689	142	149	149	151	151	144	007

Mechanical seal Type 322R

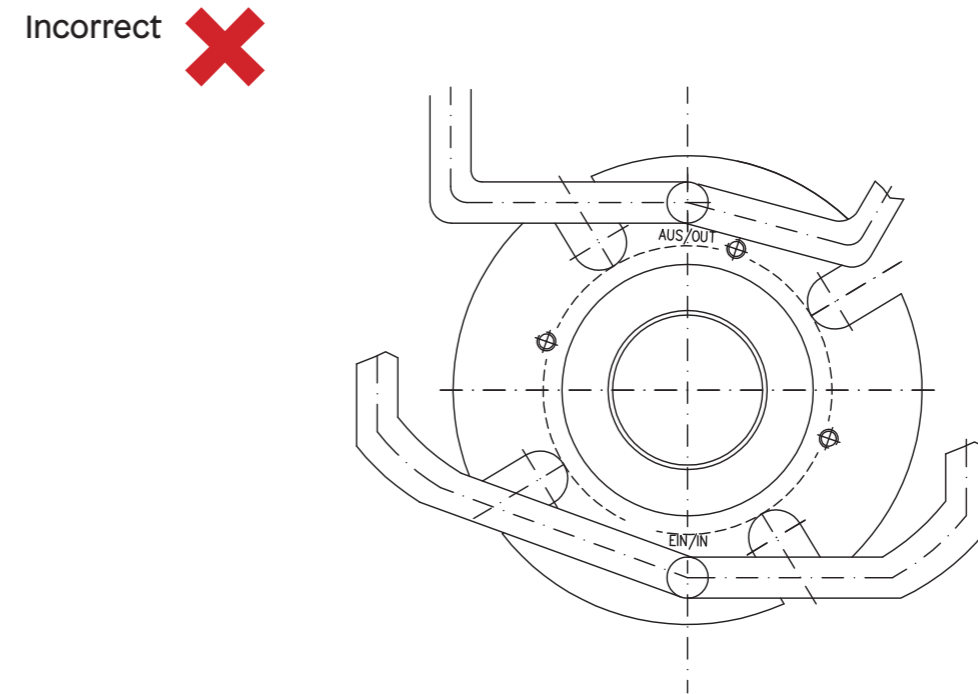
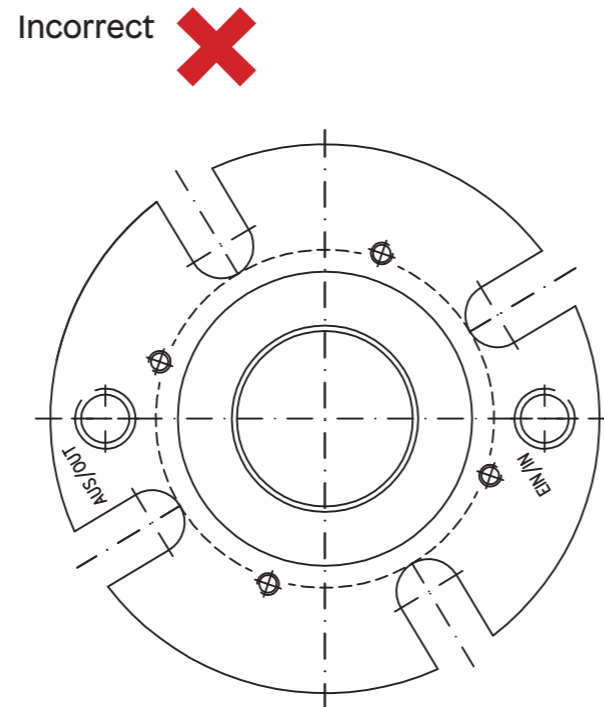
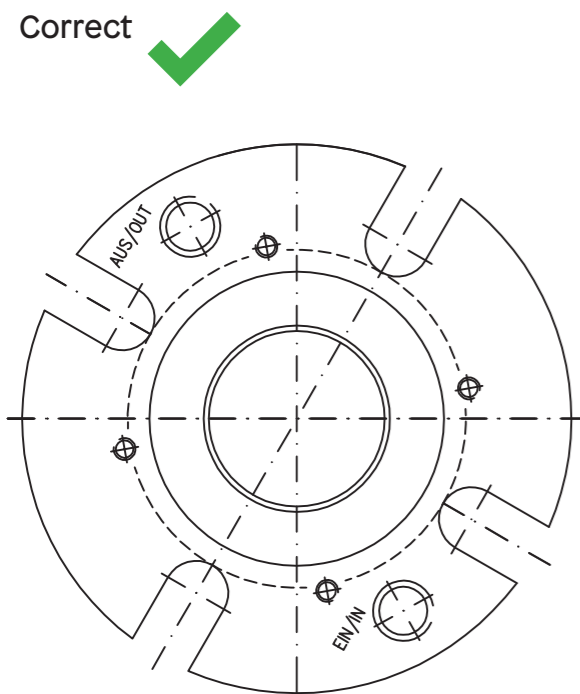
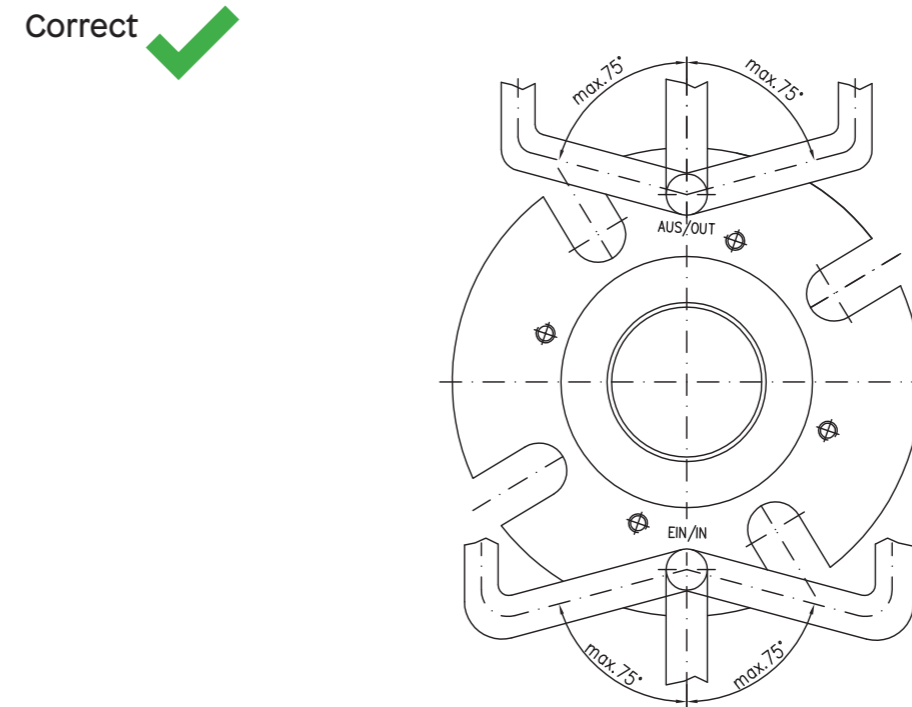
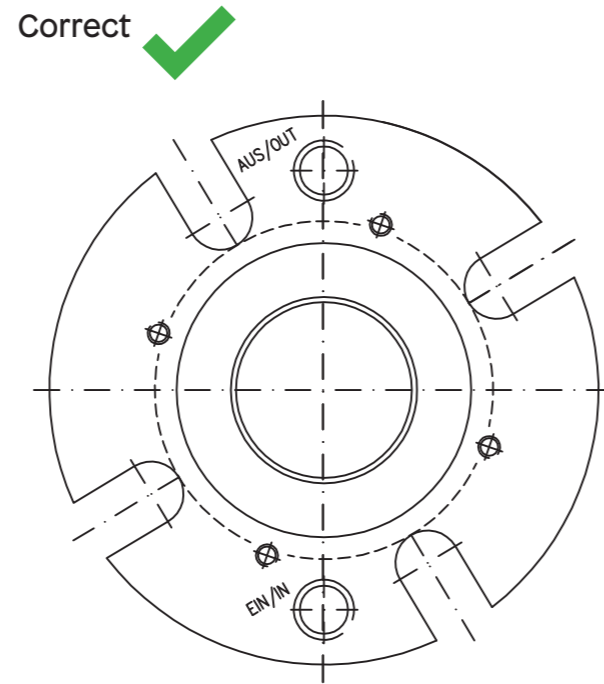
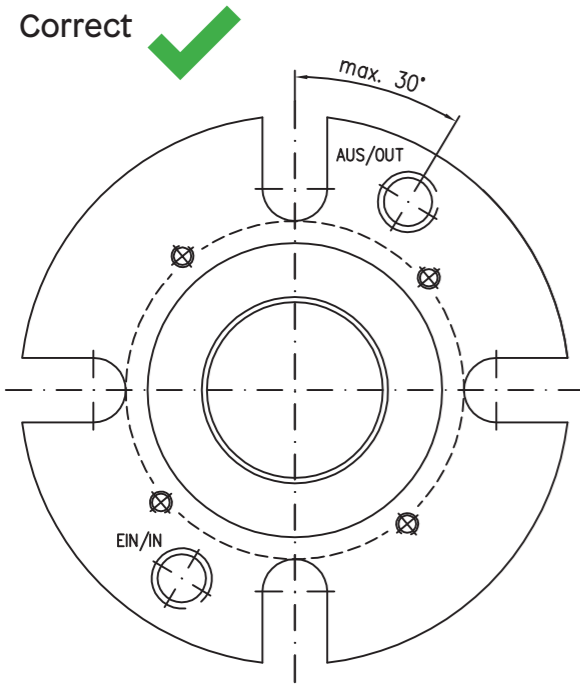


Dimension table $\varnothing 2\frac{1}{2} - 4\frac{1}{4}$ inches

Dh6	D1	D2 min.	D2 max.	D3	D4	D5	L1	L2	L3	a	s	O-rings DASH no.						
												3.1	3.2	3.3	3.4	3.5	3.8	3.11
2 1/2	3,250	3,270	3,622	3,543	5,079	6,299	1,969	1,378	0,945	3,937	0,689	144	150	150	151	151	146	007
2 5/8	3,625	3,645	4,094	3,701	5,512	7,087	1,969	1,378	0,945	4,409	0,689	146	151	151	152	152	148	007
2 3/4	3,750	3,770	4,094	3,819	5,512	7,087	1,969	1,378	0,945	4,409	0,689	149	152	152	153	153	150	007
2 7/8	3,875	3,895	4,528	4,173	6,142	7,480	2,146	1,516	1,004	4,843	0,689	233	238	238	239	239	152	007
3	4,000	4,020	4,606	4,252	6,220	7,480	2,146	1,516	1,004	4,921	0,689	234	238	238	240	240	152	007
3 1/8	4,125	4,145	4,803	4,449	6,378	7,480	2,146	1,516	1,004	5,118	0,689	236	240	240	241	241	153	007
3 1/4	4,250	4,270	4,921	4,567	6,496	8,661	2,146	1,516	1,004	5,236	0,689	236	241	241	242	242	153	007
3 3/8	4,375	4,395	5,000	4,646	6,614	8,661	2,146	1,516	1,004	5,315	0,846	237	242	242	243	243	153	007
3 1/2	4,500	4,520	5,197	4,843	6,772	8,661	2,146	1,516	1,004	5,512	0,846	239	243	243	245	245	154	007
3 5/8	4,625	4,645	5,276	4,921	6,890	8,661	2,146	1,516	1,004	5,591	0,846	239	244	244	245	245	155	007
3 3/4	4,750	4,770	5,394	5,039	7,008	8,661	2,146	1,516	1,004	5,709	0,846	240	245	245	246	246	155	007
4	5,000	5,020	5,591	5,236	7,205	8,661	2,146	1,516	1,004	5,906	0,846	242	246	246	248	248	156	007
4 1/8	5,228	5,248	5,787	5,433	7,402	9,449	2,146	1,516	1,004	6,102	0,846	243	248	248	250	250	157	007
4 1/4	5,425	5,445	5,984	5,630	7,598	9,449	2,146	1,516	1,004	6,299	0,846	244	250	250	251	251	157	007

Mechanical seal Type 322R Installation position

Mechanical seal Type 322R Pipe installation



Mechanical seal Type 322K



The DEPAC mechanical seal type 322K is a stationary, tandem-active double seal. The mechanical seal has an integrated pump mechanism for the circulation of the barrier fluid and was specially developed for the installation spaces of standard chemical pumps. The double pressure balancing of the seal faces on the product side also ensures that the seal faces do not open in case of pressure reversal - and that the pressure balancing for reducing the friction values is present under all pressure conditions. The mechanical seal is additionally characterised by its universal usage possibilities.

Advantages

- Integrated pump mechanism
- Suitable for installation spaces of standard chemical pumps
- Cartridge-mounted
- Double pressure balanced
- Tandem active
- Independent of the direction of rotation
- Multiple springs made of Hastelloy C
- Springs outside the medium - no blockage of the springs
- Vibration-dampend stationary face support
- Venting option

Mechanical seal Type 322K

Technical specifications

Area of application*

Pressure:	up to 28 bar
Temperature:	depending on elastomer
Sliding speed:	up to 35 m/s
Shaft movements:	axial ± 1.0 mm radial ± 0.5 mm

* The maximum specifications for temperature, pressure and sliding speed apply in each case to independent higher operating conditions. However, this does not mean that the seal will function with all extreme conditions at the same time. If in doubt contact DEPAC.

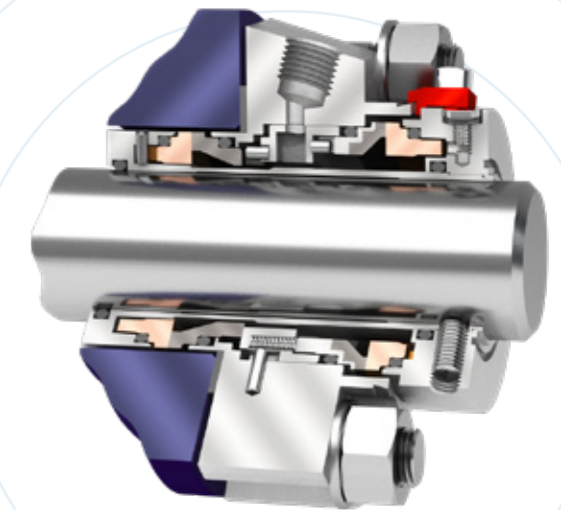
Dimensions

Shaft diameter:	Ø 24 - 160 mm Special sizes on request
-----------------	---

Bill of materials

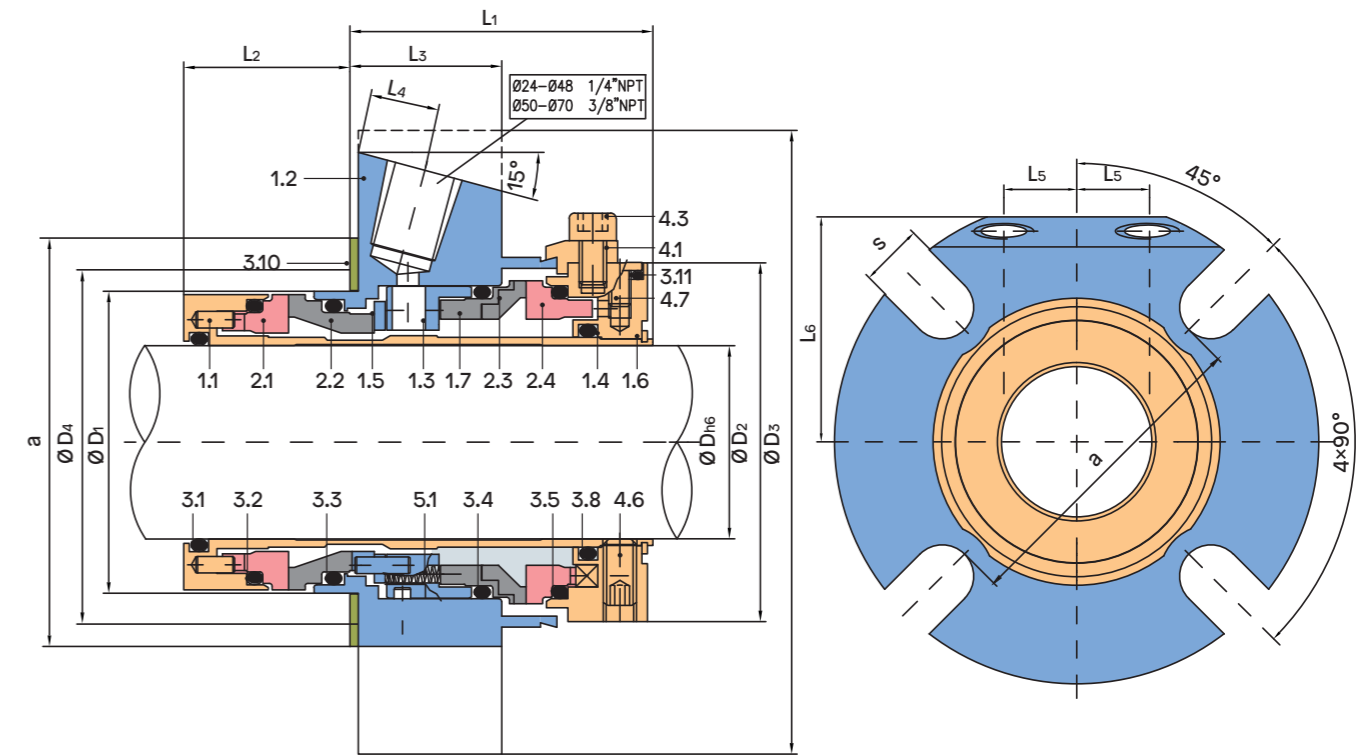
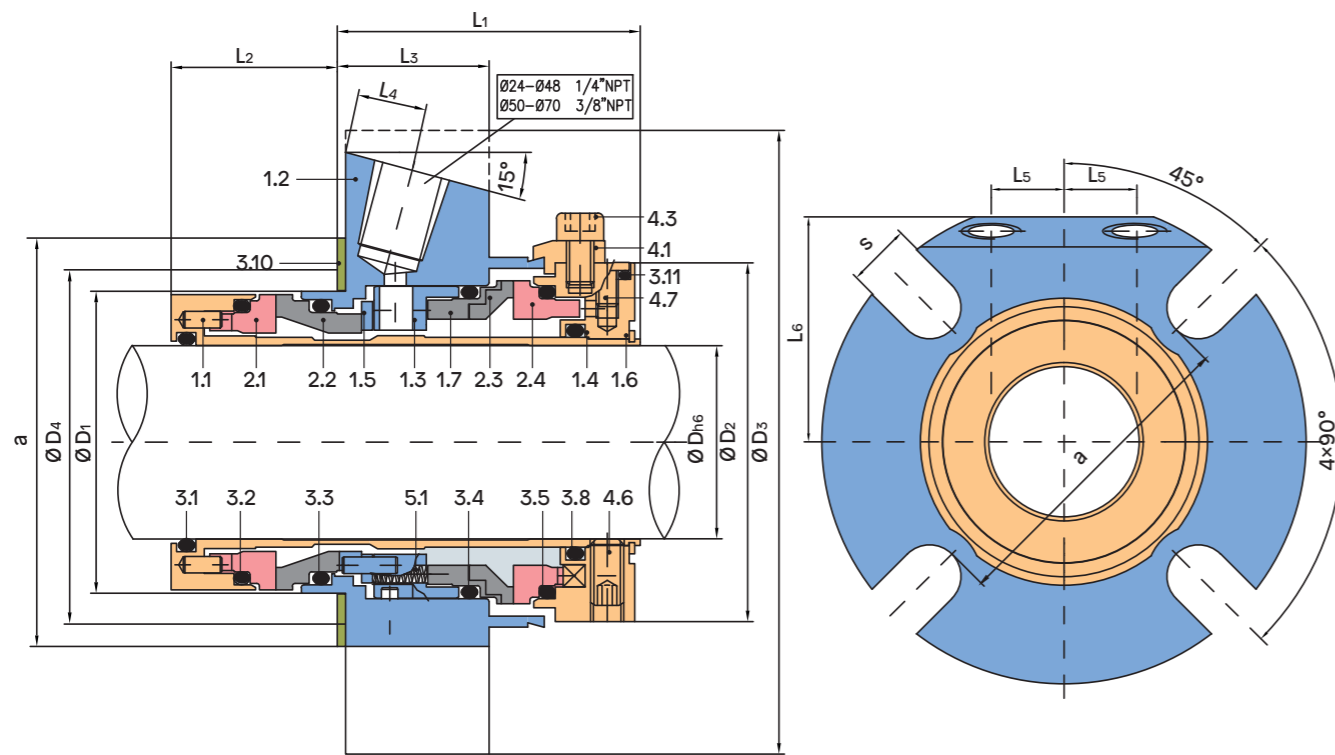
Item	Description	Material
1.1	Sleeve	1.4571
1.2	Gland	1.4571
1.3	Gland insert	1.4571
1.4	Adjusting ring	1.4571
1.5	Thrust washer	1.4571
1.6	Circlip	1.4310
1.7	Surface retainer	1.4571
2.1, 2.4	Dynamic seal face	SC/SSIC/TC
2.2, 2.3	Stationary seal face	CA/SC/SSIC/TC
3.1, 3.2, 3.3 3.4, 3.5, 3.8 3.11	O-ring	FKM, EPDM, Kalrez®, PTFE,...
3.10	Flat gasket	Klingersil® C-4300
4.1	Centering piece	Al
4.3	Cheesehead screw	A2
4.6	Threaded pin	A4
4.7	Bleed screw	A2
5.1	Spring	2.4610

Other materials on request!



Mechanical seal Type 322K

Mechanical seal Type 322K



Dimension table Ø 24 – 43 mm

Dh6	D1	D2	D3	D4 min.	D4 max.	a	L1	L2	L3	L4	L5	L6	s	O-rings DASH no.							
														NPT	3.1	3.2	3.3	3.4	3.5	3.8	3.11
24	44,7	55	104,8	45,2	56	64	54,8	30,3	27,5	12,5	12,5	49,5	12,5	1/4"	119	127	127	130	130	122	007
25	44,7	55	104,8	45,2	56	64	54,8	30,3	27,5	12,5	12,5	49,5	12,5	1/4"	120	127	127	130	130	122	007
28	47,7	58	104,8	48,2	59	67	54,8	30,3	27,5	12,5	13,8	49,5	12,5	1/4"	122	129	129	132	132	124	007
30	49,7	60	104,8	50,2	61	69	54,8	30,3	27,5	12,5	14,8	49,5	12,5	1/4"	123	130	130	133	133	125	007
32	50,7	62	104,8	51,4	63	71	54,8	30,3	27,5	12,5	14,5	49,5	12,5	1/4"	124	131	131	135	135	127	007
35	54,7	65	112,8	55,2	66	74	54,8	30,3	27,5	12,5	17	52,4	14,7	1/4"	126	133	133	137	137	129	007
38	57,7	68	122,8	58,2	69	77	54,8	30,3	27,5	12,5	18	58	14,7	1/4"	128	136	136	138	138	130	007
40	59,7	70	122,8	60,2	71	79	54,8	30,3	27,5	12,5	17,5	58	14,7	1/4"	130	137	137	140	140	132	007
42	61,7	72	129,8	62,2	73	81	54,8	30,3	27,5	12,5	18,5	60	14,7	1/4"	131	138	138	141	141	133	007
43	62,7	73	129,8	63,2	74	82	54,8	30,3	27,5	12,5	17,5	60,9	14,7	1/4"	132	138	138	142	142	134	007

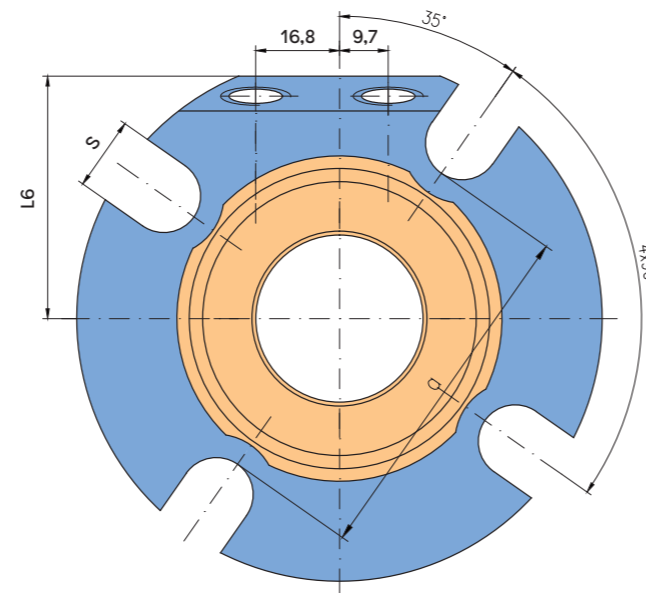
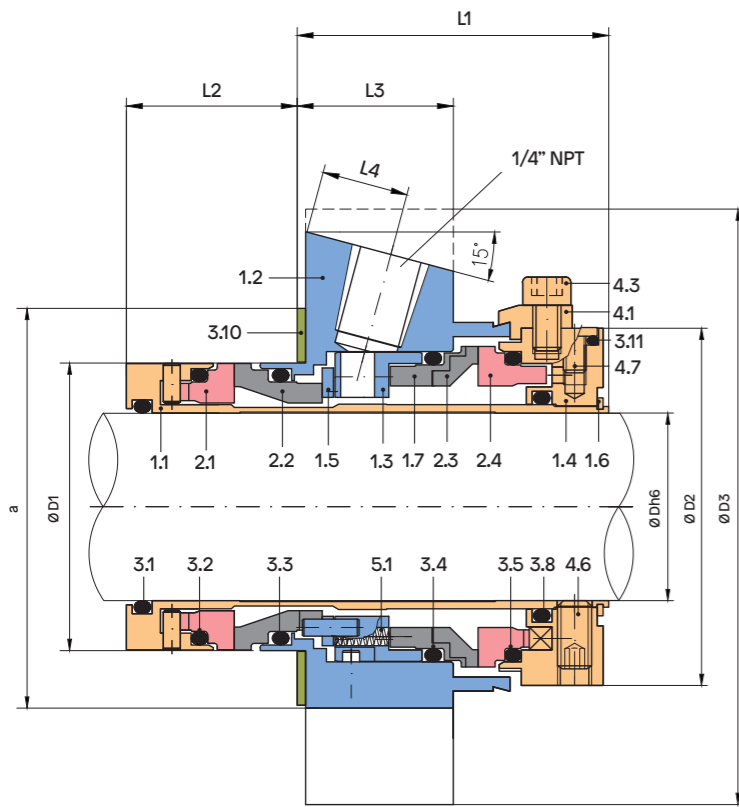
Dimension table Ø 45 – 70 mm

Dh6	D1	D2	D3	D4 min.	D4 max.	a	L1	L2	L3	L4	L5	L6	s	O-rings DASH no.							
														NPT	3.1	3.2	3.3	3.4	3.5	3.8	3.11
45	64,7	75	129,8	65,2	76	84	54,8	30,3	27,5	12,5	17	60	14,7	1/4"	133	140	140	143	143	135	007
48	67,7	78	137,8	68,2	79	87	54,8	30,3	27,5	12,5	18,5	65	14,7	1/4"	135	142	142	145	145	137	007
50	69,7	80	141,8	70,2	81	89	54,8	30,3	27,5	14	18	65	14,7	3/8"	136	143	143	146	146	138	007
55	74,7	85	147,8	75,2	97	105	54,8	30,3	27,5	14	20,5	68	18	3/8"	139	146	146	149	149	141	007
58	77,7	88	147,8	78,2	84	108	54,8	30,3	27,5	14	24	68	18	3/8"	141	148	148	150	150	143	007
60	79,7	90	156,8	80,2	92	110	54,8	30,3	27,5	14	25	72	18	3/8"	142	149	149	151	151	144	007
63	82,7	93	156,8	83,2	92	113	54,8	30,3	27,5	14	26,5	72	18	3/8"	144	150	150	151	151	146	007
68	87,7	98	162,8	88,2	104	118	54,8	30,3	27,5	14	28	72	18	3/8"	147	151	151	152	152	149	007
70	89,7	100	169,8	104	104	120	54,8	30,3	27,5	14	27,5	76	18	3/8"	149	152	152	153	153	150	007

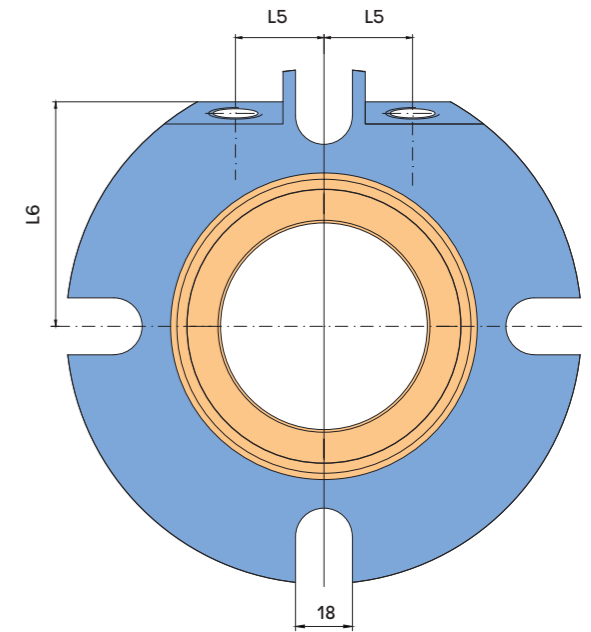
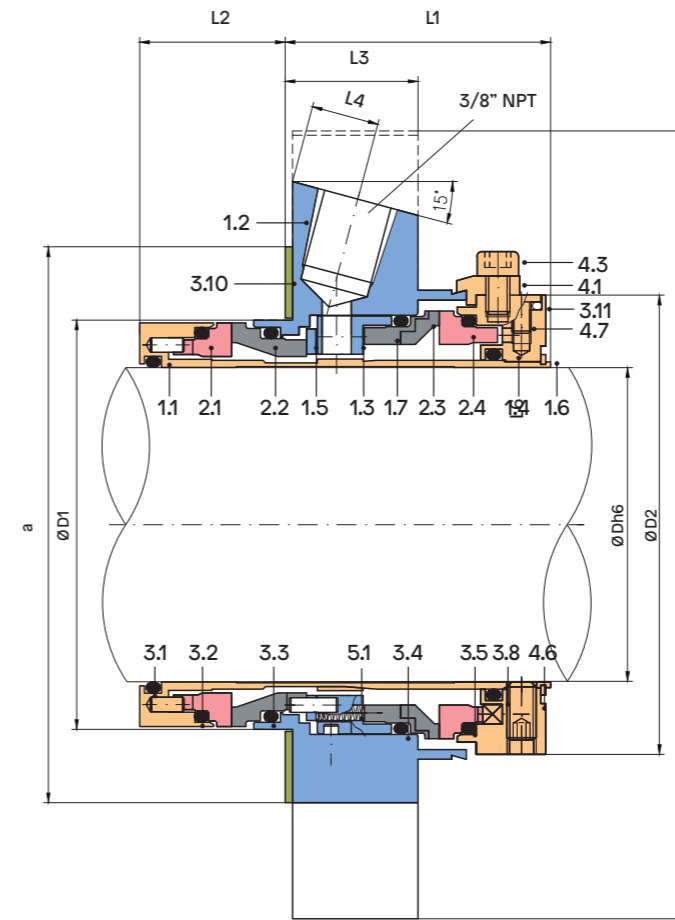
Mechanical seal Type 322K

Mechanical seal Type 322K

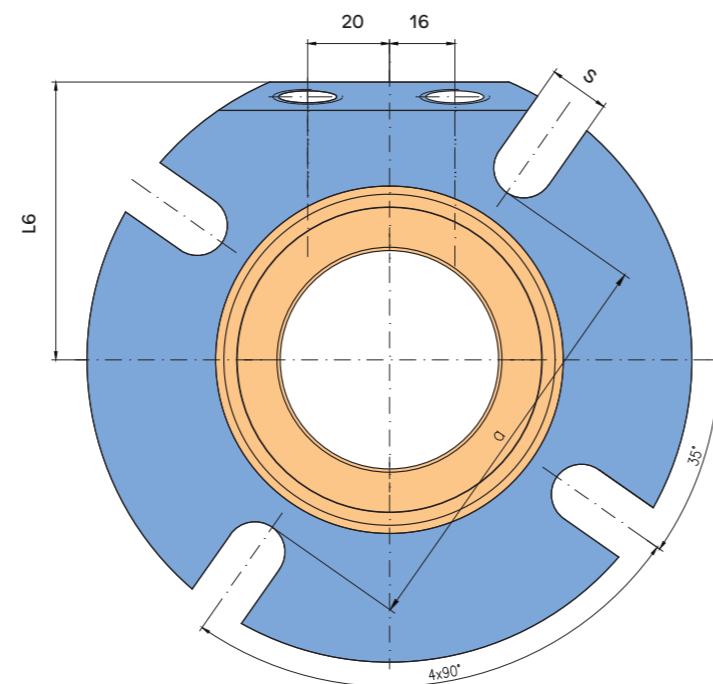
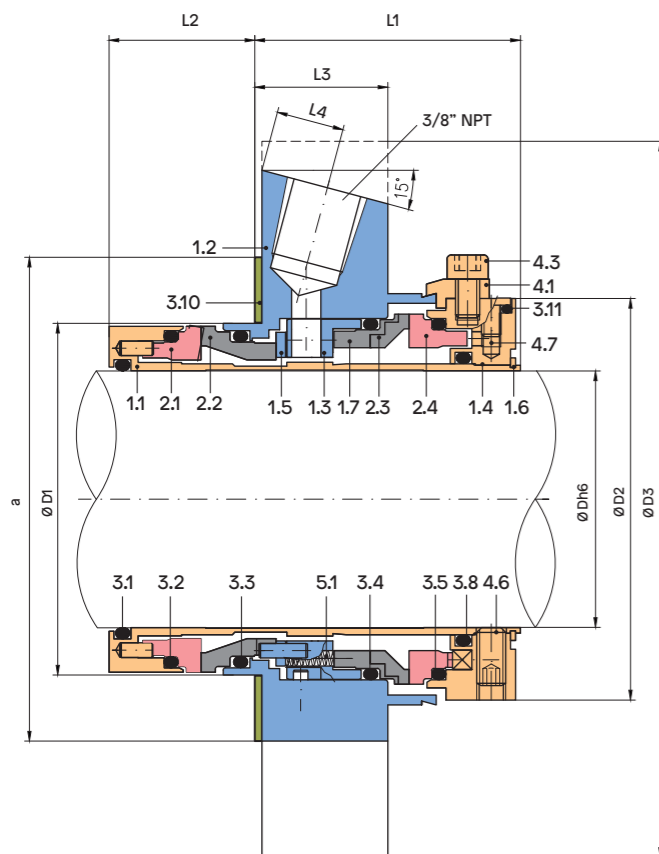
Version Ø 33 mm



Version Ø 65 mm



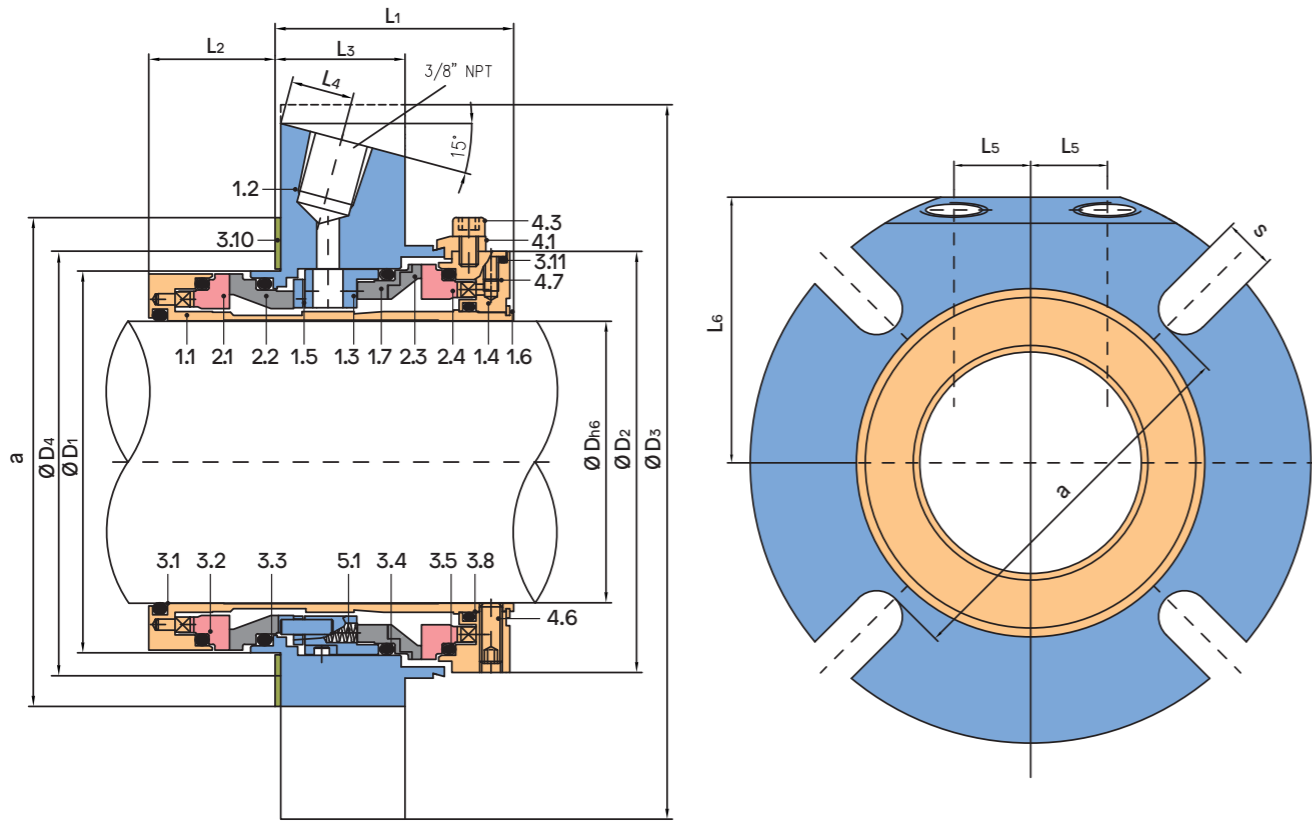
Version Ø 53 mm



Dimension table Ø 33 – 65 mm

DS	D1	D2	D3	A	L1	L2	L3	L4	L5	L6	s	NPT	O-rings DASH no.						
													3.1	3.2	3.3	3.4	3.5	3.8	3.11
33	50,7	63	104,8	71	54,8	30,3	27,5	15,5	9,7 / 16,8	48,5	14,7	1/4"	125	131	131	135	135	127	007
53	72,7	83	147,8	100	54,8	30,3	27,5	14	20 / 16	68	14,7	3/8"	138	145	145	148	148	140	007
65	84,7	95	162,8	115	54,8	30,3	27,5	14	28	71	18	3/8"	145	151	151	152	152	147	007

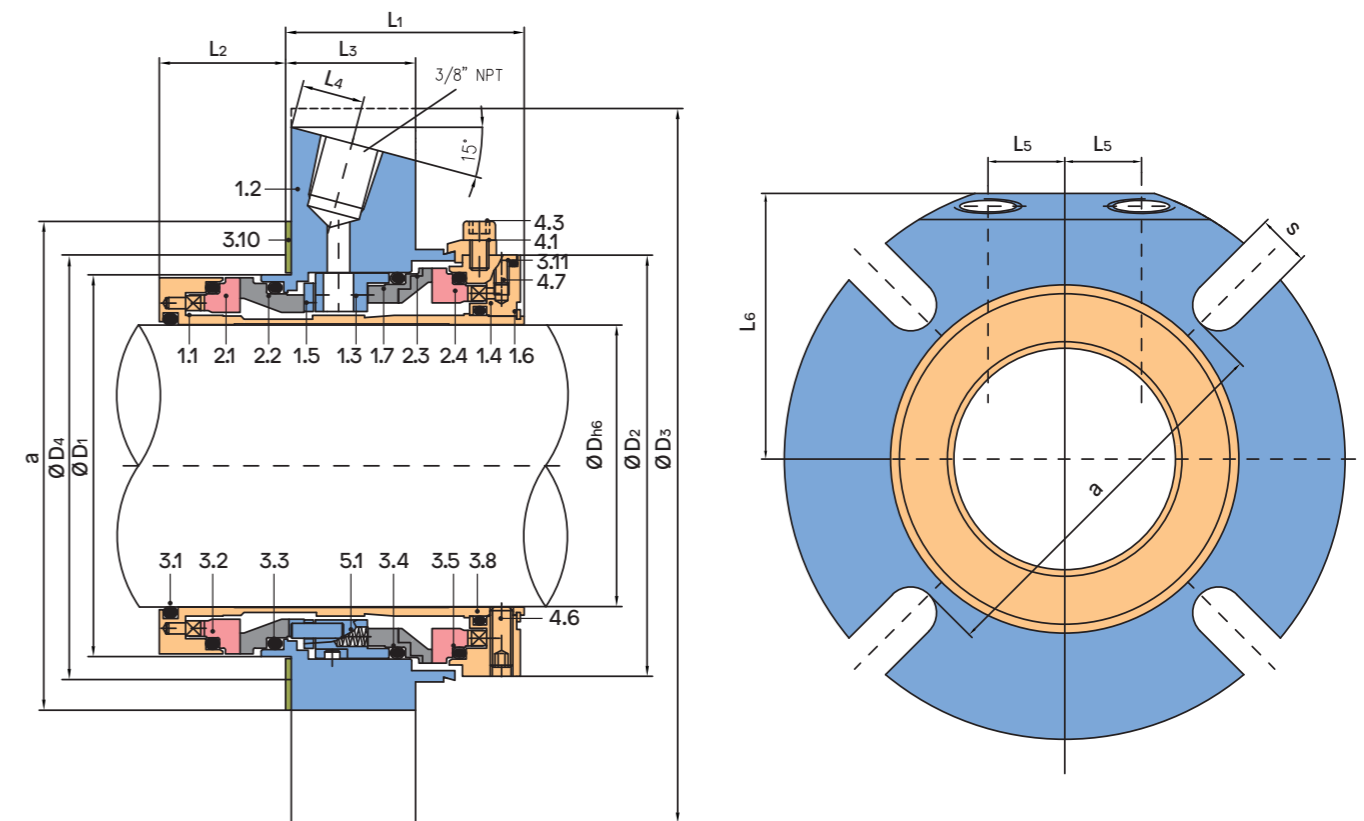
Mechanical seal Type 322K



Dimension table Ø 75 – 115 mm

Dh6	D1	D2	D3	D4 min.	D4 max.	a	O-rings DASH no.														
							L1	L2	L3	L4	L5	L6	s	NPT	3.1	3.2	3.3	3.4	3.5	3.8	3.11
75	101,5	112	190	102	122	130	63,4	33,6	34,5	16,7	30	88	18	3/8"	234	238	238	240	240	152	007
80	107,8	117	195	108,3	127	135	63,4	33,6	34,5	16,7	30	90,4	18	3/8"	236	240	240	242	242	153	007
85	111	122	200	111,5	135	143	63,4	33,6	34,5	16,7	30	93	21,5	3/8"	237	242	242	243	243	154	007
90	117,8	127	205	118,3	140	148	63,4	33,6	34,5	16,7	32,5	92,4	21,5	3/8"	239	243	243	245	245	154	007
95	120,6	132	210	121,1	145	153	63,4	33,6	34,5	16,7	32,5	95	21,5	3/8"	240	245	245	246	246	155	007
100	126,9	137	218	127,4	150	158	63,4	33,6	34,5	16,7	35	99	21,5	3/8"	242	246	246	248	248	157	007
105	132,8	142	240	133,3	155	163	63,4	33,6	34,5	16,7	35	110	21,5	3/8"	243	248	248	250	250	158	007
110	137,8	147	240	138,3	160	168	63,4	33,6	34,5	16,7	37,5	110	21,5	3/8"	245	250	250	251	251	158	007
115	142,8	152	240	143,3	165	173	63,4	33,6	34,5	16,7	37,5	110	21,5	3/8"	247	251	251	253	253	158	007

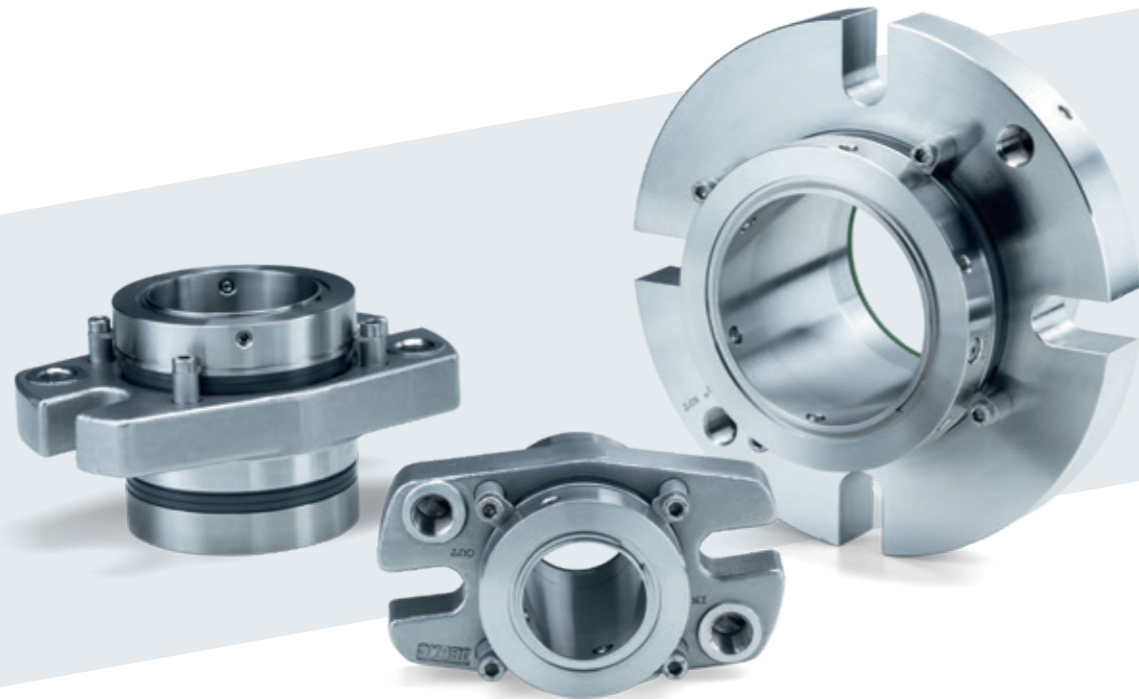
Mechanical seal Type 322K



Dimension table Ø 120 – 160 mm

Dh6	D1	D2	D3	D4 min.	D4 max.	a	O-rings DASH no.														
							L1	L2	L3	L4	L5	L6	s	NPT	3.1	3.2	3.3	3.4	3.5	3.8	3.11
120	147,8	157	240	148,3	170	178	63,4	33,6	34,5	16,7	37,5	110	21,5	3/8"	248	253	253	254	254	159	007
125	152,8	162	260	153,3	185	183	63,4	33,6	34,5	16,7	37,5	120	21,5	3/8"	250	254	254	256	256	160	007
130	157,8	167	260	158,3	180	188	63,4	33,6	34,5	16,7	37,5	120	21,5	3/8"	251	256	256	257	257	161	007
135	162,8	172	260	163,3	185	193	63,4	33,6	34,5	16,7	37,5	120	21,5	3/8"	253	257	257	258	258	162	007
140	167,8	177	260	168,3	190	198	63,4	33,6	34,5	16,7	40	120	21,5	3/8"	255	258	258	259	259	162	007
145	172,8	182	280	173,3	195	203	63,4	33,6	34,5	16,7	40	130	21,5	3/8"	256	259	259	260	260	163	007
150	177,8	187	280	178,3	200	208	63,4	33,6	34,5	16,7	42,5	130	21,5	3/8"	258	260	260	261	261	164	007
155	182,8	192	280	183,3	205	213	63,4	33,6	34,5	16,7	42,5	130	21,5	3/8"	259	261	261	261	261	165	007
160	187,8	197	280	188,3	210	218	63,4	33,6	34,5	16,7	43	130	21,5	3/8"	260	261	261	262	262	165	007

Mechanical seal Type 323



The DEPAC mechanical seal type 323 is a stationary, tandem-active double-cartridge mechanical seal with integrated barrier fluid pumping assistance. The double pressure relief of the seal faces on the product side also ensures that the seal faces do not open in case of pressure reversal - and that the pressure relief for reducing the friction values is present under all pressure conditions.

The product variants in the form of the type 321 and the type 322, which are intended especially for larger seal chamber cross sections, round off the universal range of application for this mechanical seal.

Advantages

- Integrated barrier fluid pumping assistance
- Cartridge-mounted
- Double balanced
- Tandem active
- Independent of the direction of rotation
- Multiple springs made of Hastelloy C
- Springs outside the medium - no blockage of the springs
- Vibration-dampend stationary face support
- Venting option

Mechanical seal Type 323

Technical specifications

Area of application*

Pressure:	700 mmHg to 28 bar
Temperature:	depending on elastomer
Sliding speed:	up to 35 m/s
Shaft movements:	axial $\leq \varnothing 22 \pm 0.5 \text{ mm} \mid \geq \varnothing 24 \pm 1.0 \text{ mm}$ radial $\leq \varnothing 22 \pm 0.4 \text{ mm} \mid \geq \varnothing 24 \pm 0.5 \text{ mm}$

* The maximum specifications for temperature, pressure and sliding speed apply in each case to independent higher operating conditions. However, this does not mean that the seal will function with all extreme conditions at the same time. If in doubt contact DEPAC.

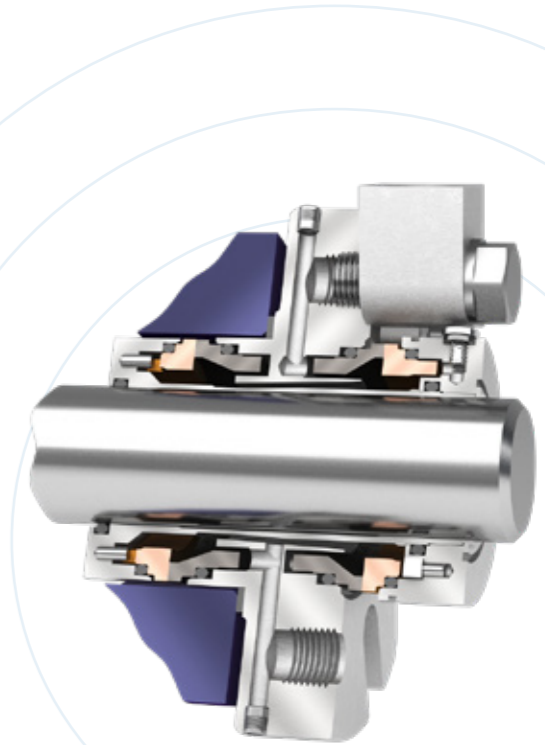
Dimensions

Shaft diameter:	24 – 160 mm 1 ⁵ / ₁₆ " – 6 1/4"
	Special sizes on request

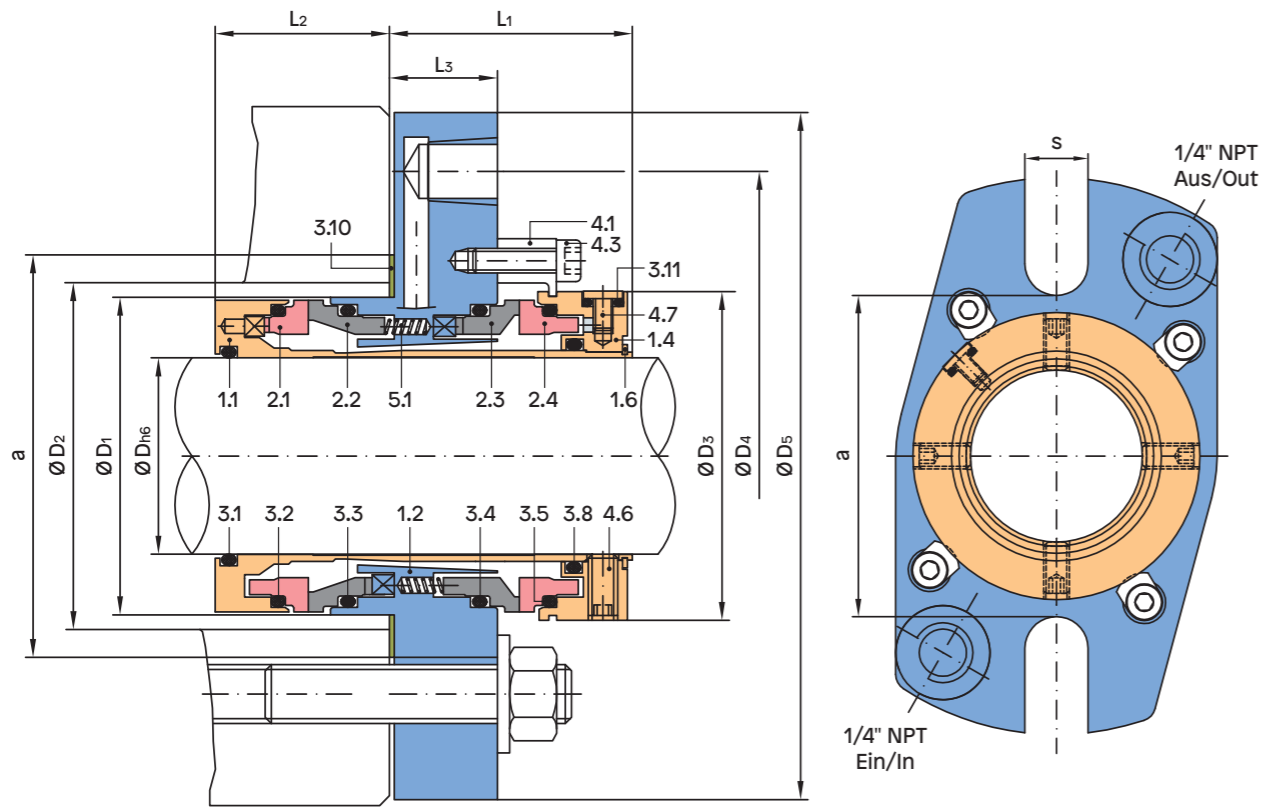
Bill of materials

Item	Description	Material
1.1	Sleeve	1.4571
1.2	Gland	1.4571
1.4	Adjusting ring	1.4571
1.6	Circlip	1.4310
2.1, 2.4	Dynamic seal face	SC/SSIC/TC
2.2, 2.3	Stationary seal face	CA/SC/SSIC/TC
3.1, 3.2, 3.3 3.4, 3.5, 3.8 3.11	O-ring	FKM, EPDM, Kalrez®, PTFE,...
3.10	Flat gasket	Klingsil® C-4300
4.1	Centering piece	Al
4.3	Cheesehead screw	A2
4.6	Threaded pin	A4
4.7	Bleed screw	A2
5.1	Spring	2.4610

Other materials on request!



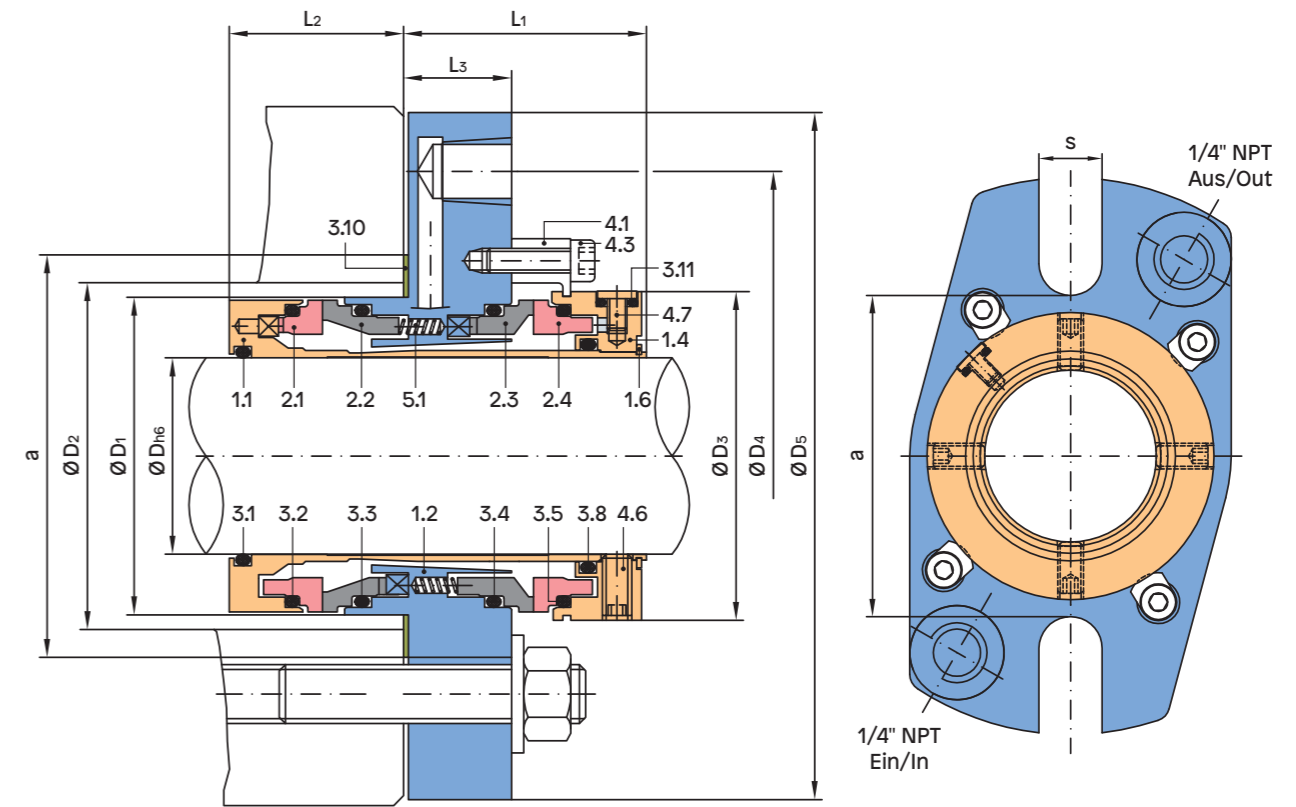
Mechanical seal Type 323



Dimension table Ø 24 – 43 mm

Dh6	D1	D2 min.	D2 max.	D3	D4	D5	L1	L2	L3	a	s	O-rings DASH no.						
												3.1	3.2	3.3	3.4	3.5	3.8	3.11
24	49,7	50,2	59	52	89	115	50	35	24	67	12,5	119	130	130	130	122	007	
25	49,7	50,2	59	52	89	115	50	35	24	67	12,5	120	130	130	130	122	007	
28	52,7	53,2	59	55	89	115	50	35	24	67	12,5	122	132	132	132	124	007	
30	54,7	55,2	59	57	89	115	50	35	24	67	12,5	123	133	133	133	125	007	
32	57,7	58,2	67	60	102	130	50	35	24	75	14,7	124	135	135	135	127	007	
33	57,7	58,2	67	60	102	130	50	35	24	75	14,7	125	135	135	135	127	007	
35	59,7	60,2	67	62	102	130	50	35	24	75	14,7	126	137	137	137	128	007	
38	62,7	63,2	74	65	114	140	50	35	24	82	14,7	128	138	138	138	130	007	
40	64,7	65,2	74	67	114	140	50	35	24	82	14,7	130	140	140	140	132	007	
42	66,7	67,2	74	69	114	140	50	35	24	82	14,7	131	141	141	141	133	007	
43	67,7	68,2	74	70	114	140	50	35	24	82	14,7	132	142	142	142	133	007	

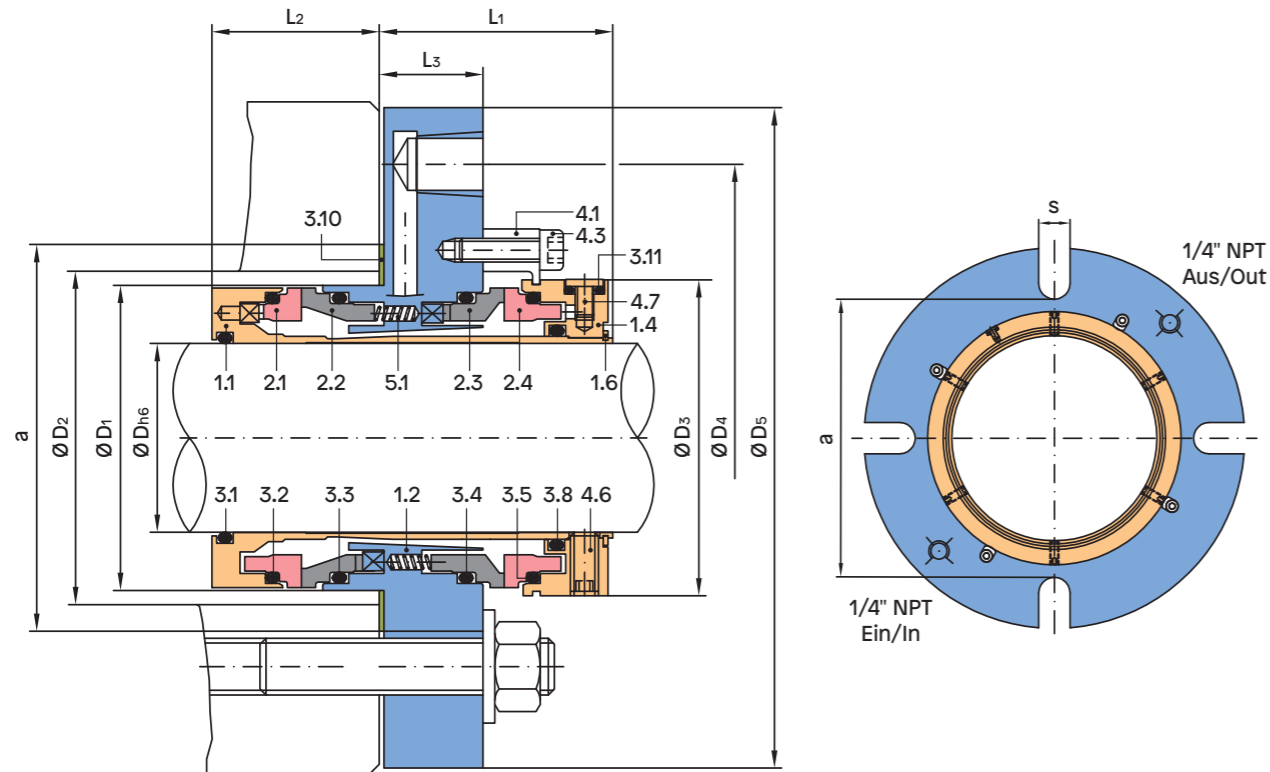
Mechanical seal Type 323



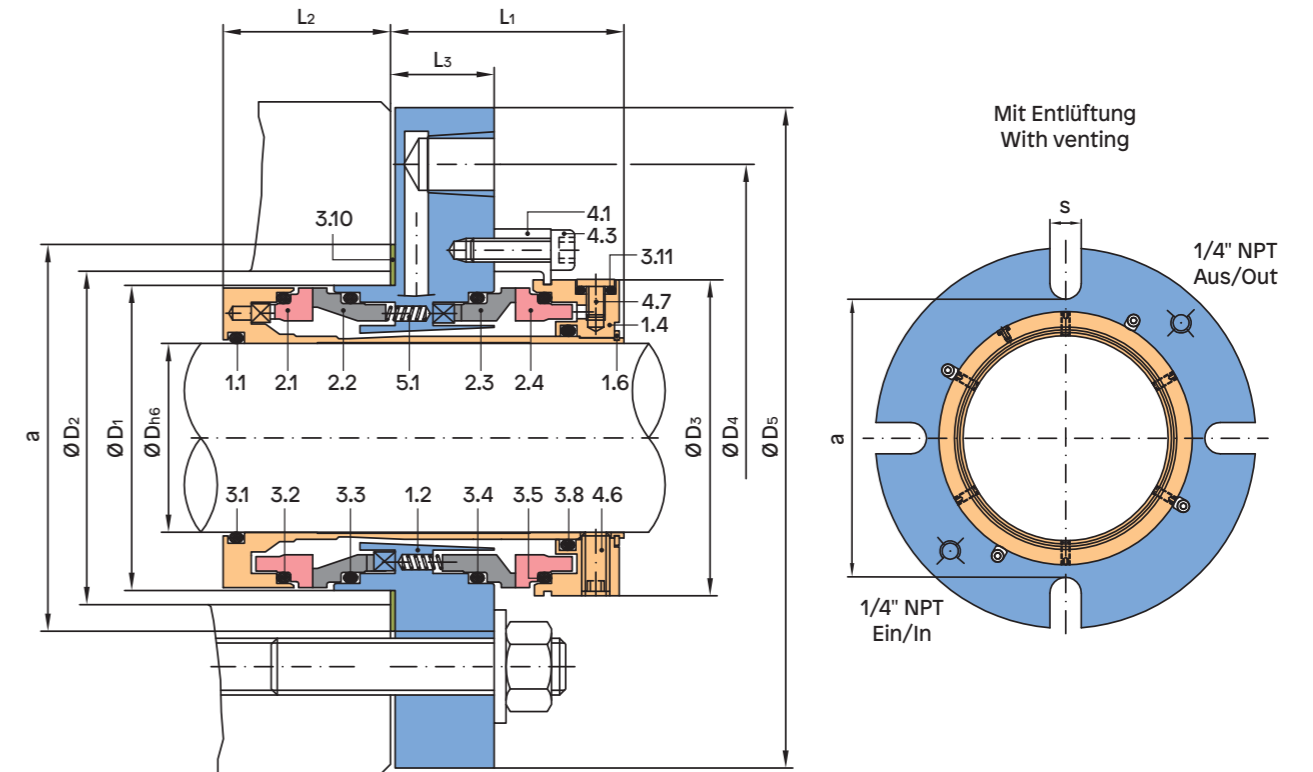
Dimension table Ø 45 – 70 mm

Dh6	D1	D2 min.	D2 max.	D3	D4	D5	L1	L2	L3	a	s	O-rings DASH no.						
												3.1	3.2	3.3	3.4	3.5	3.8	3.11
45	69,7	70,2	74	72	114	140	50	35	24	82	14,7	133	143	143	143	143	135	007
48	72,7	73,2	84	75	122	150	50	35	24	92	17,5	135	145	145	145	145	137	007
50	74,7	75,2	84	77	122	150	50	35	24	92	17,5	136	146	146	146	146	138	007
53	77,7	78,2	84	80	122	150	50	35	24	92	17,5	138	148	148	148	148	140	007
55	79,7	80,2	92	82	129	160	50	35	24	100	17,5	139	149	149	149	149	141	007
58	82,7	83,2	92	85	129	160	50	35	24	100	17,5	141	150	150	150	150	143	007
60	84,7	85,2	92	87	129	160	50	35	24	100	17,5	142	151	151	151	151	144	007
63	87,7	88,2	104	90	140	180	50	35	24	112	17,5	144	151	151	151	151	146	007
65	89,7	90,2	104	92	140	180	50	35	24	112	17,5	145	152	152	152	152	147	007
68	92,7	93,2	104	95	140	180	50	35	24	112	17,5	147	152	152	152	152	149	007
70	94,7	95,2	104	97	140	180	50	35	24	112	17,5	149	153	153	153	153	150	007

Mechanical seal Type 323



Mechanical seal Type 323



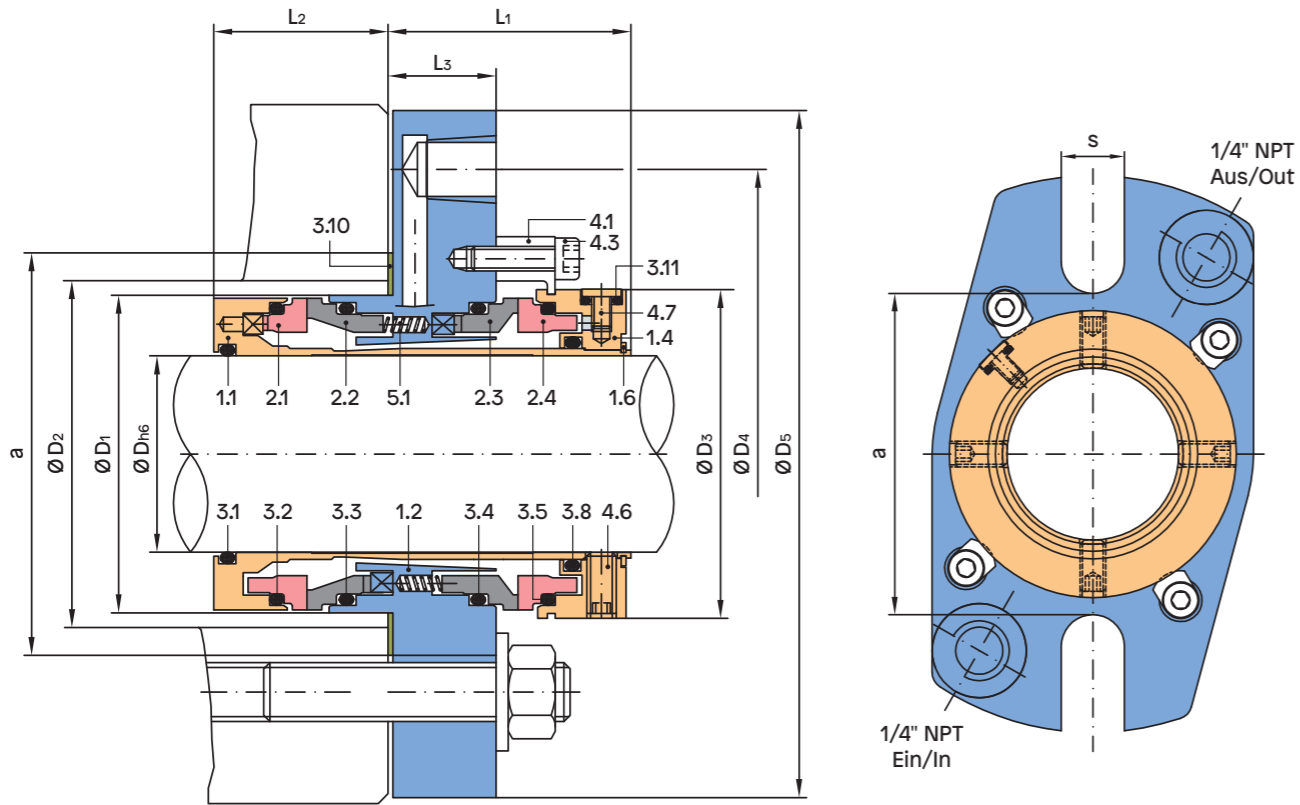
Dimension table Ø 75 – 115 mm

Dh6	D1	D2 min.	D2 max.	D3	D4	D5	L1	L2	L3	a	s	O-rings DASH no.						
												3.1	3.2	3.3	3.4	3.5	3.8	3.11
75	107,8	108,3	122	108	160	190	54,5	38,5	25,5	130	17,5	234	240	240	240	240	152	007
80	112,8	113,3	127	113	190	220	54,5	38,5	25,5	135	17,5	236	242	242	242	242	153	007
85	117,8	118,3	132	118	190	220	54,5	38,5	25,5	140	21,5	237	243	243	243	243	153	007
90	122,8	123,3	137	123	190	220	54,5	38,5	25,5	145	21,5	239	245	245	245	245	154	007
95	127,8	128,3	142	128	190	220	54,5	38,5	25,5	150	21,5	240	246	246	246	246	155	007
100	132,8	133,3	147	133	210	240	54,5	38,5	25,5	155	21,5	242	248	248	248	248	156	007
105	137,8	138,3	152	138	210	240	54,5	38,5	25,5	160	21,5	243	250	250	250	250	157	007
110	142,8	143,3	157	143	210	240	54,5	38,5	25,5	165	21,5	245	251	251	251	251	157	007
115	147,8	148,3	162	148	210	240	54,5	38,5	25,5	170	21,5	247	253	253	253	253	158	007

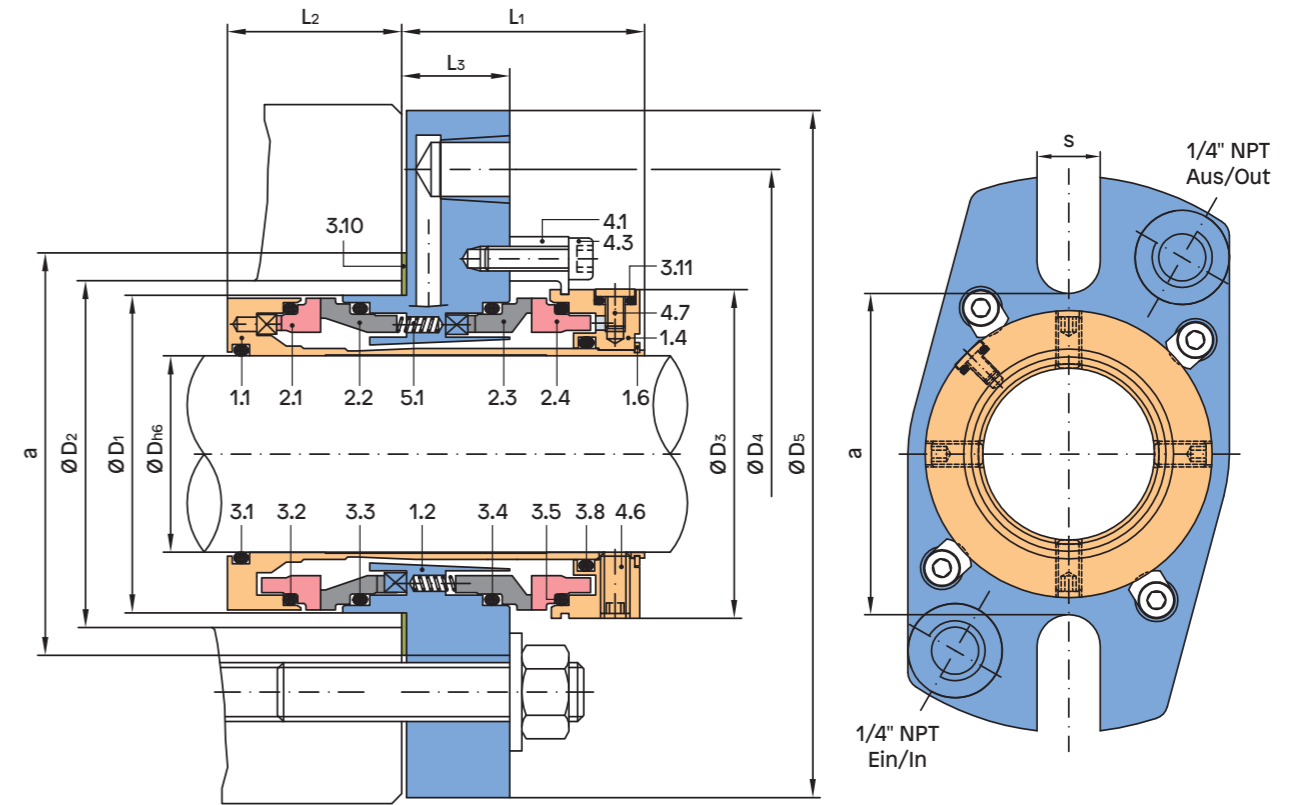
Dimension table Ø 120 – 160 mm

Dh6	D1	D2 min.	D2 max.	D3	D4	D5	L1	L2	L3	a	s	O-rings DASH no.						
												3.1	3.2	3.3	3.4	3.5	3.8	3.11
120	152,8	153,3	167	153	230	260	54,5	38,5	25,5	175	21,5	248	254	254	254	254	159	007
125	157,8	158,3	172	158	230	260	54,5	38,5	25,5	180	21,5	250	256	256	256	256	160	007
130	162,8	163,3	177	163	230	260	54,5	38,5	25,5	185	21,5	251	257	257	257	257	161	007
135	167,8	168,3	182	168	230	260	54,5	38,5	25,5	190	21,5	253	258	258	258	258	161	007
140	172,8	173,3	187	173	250	280	54,5	38,5	25,5	195	21,5	255	259	259	259	259	162	007
145	177,8	178,3	192	178	250	280	54,5	38,5	25,5	200	21,5	256	260	260	260	260	163	007
150	182,8	183,3	197	183	250	280	54,5	38,5	25,5	205	21,5	258	261	261	261	261	164	007
155	187,8	188,3	202	188	250	280	54,5	38,5	25,5	210	21,5	259	261	261	261	261	164	007
160	192,8	193,3	207	193	260	290	54,5	38,5	25,5	215	21,5	260	262	262	262	262	165	007

Mechanical seal Type 323



Mechanical seal Type 323



Dimension table $\varnothing 1\frac{5}{16} - 1\frac{3}{4}$ inches

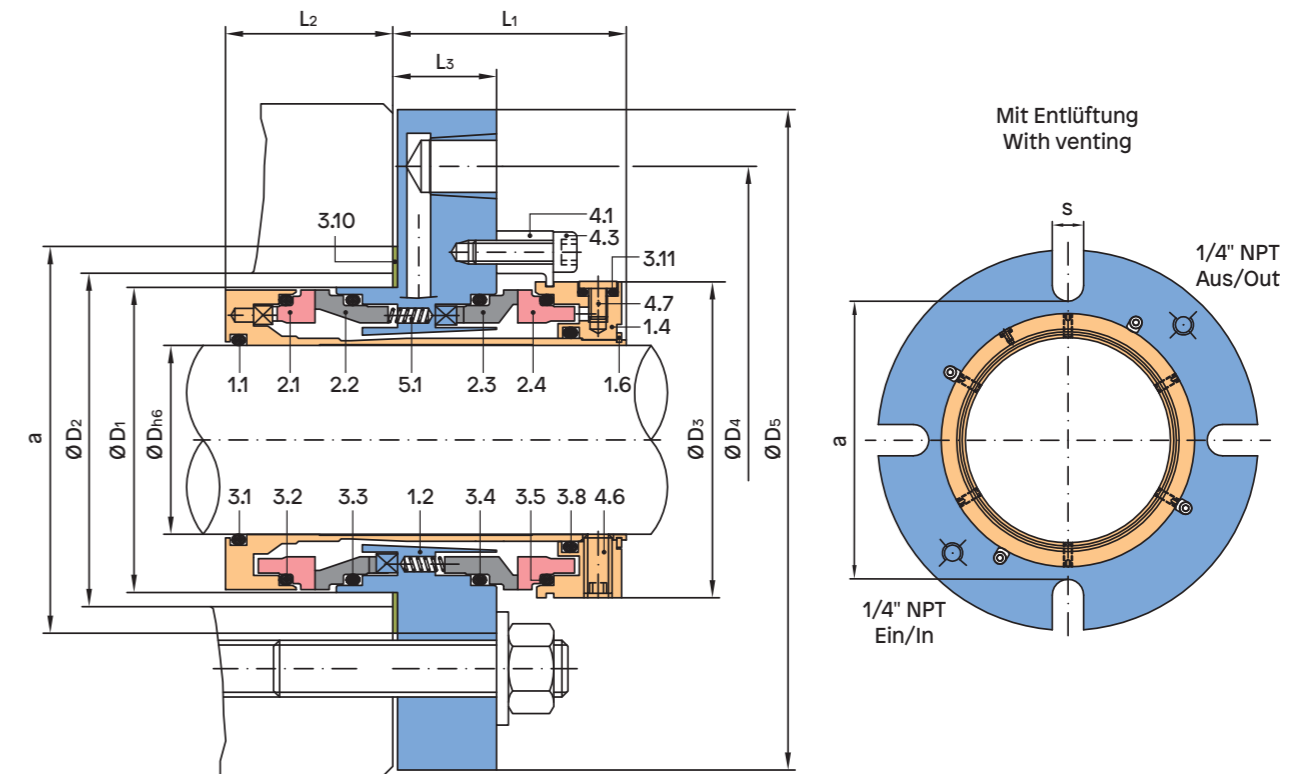
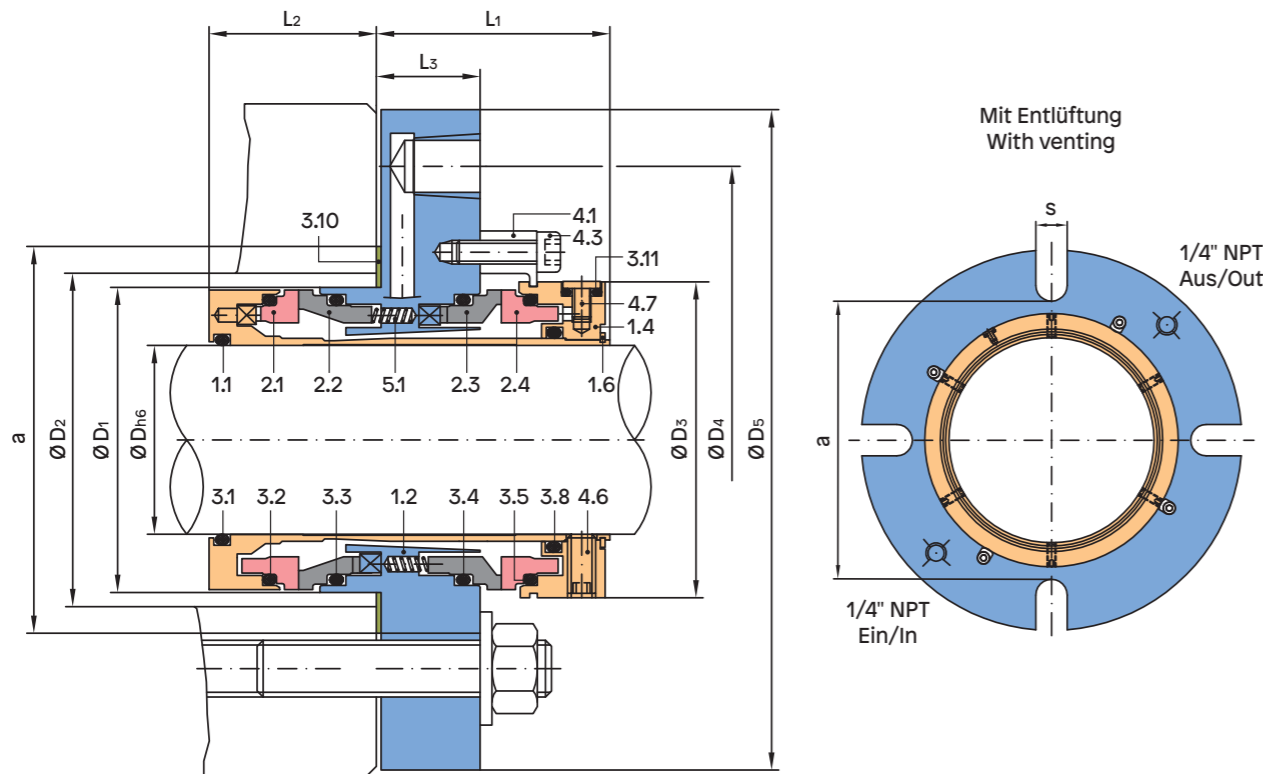
Dh6	D1	D2 min.	D2 max.	D3	D4	D5	O-rings DASH no.											
							L1	L2	L3	a	s	3.1	3.2	3.3	3.4	3.5	3.8	3.11
15/16	1,957	2,154	2,323	2,047	3,504	4,528	1,968	1,378	0,944	2,638	0,492	119	130	130	130	130	122	007
1	1,957	2,154	2,323	2,047	3,504	4,528	1,968	1,378	0,944	2,638	0,492	120	130	130	130	130	122	007
1 1/8	2,075	2,272	2,323	2,165	3,504	4,528	1,968	1,378	0,944	2,638	0,492	122	132	132	132	132	124	007
1 1/4	2,272	2,469	2,638	2,323	4,016	5,118	1,968	1,378	0,944	2,953	0,579	124	135	135	135	135	127	007
1 3/8	2,350	2,547	2,638	2,441	4,016	5,118	1,968	1,378	0,944	2,953	0,579	126	137	137	137	137	128	007
1 7/16	2,429	2,626	2,913	2,520	4,488	5,512	1,968	1,378	0,944	3,228	0,579	127	138	138	138	138	130	007
1 1/2	2,469	2,666	2,913	2,559	4,488	5,512	1,968	1,378	0,944	3,228	0,579	128	138	138	138	138	130	007
1 5/8	2,626	2,823	2,913	2,717	4,488	5,512	1,968	1,378	0,944	3,228	0,579	131	141	141	141	141	133	007
1 3/4	2,744	2,941	2,913	2,835	4,488	5,512	1,968	1,378	0,944	3,228	0,579	133	143	143	143	143	135	007

Dimension table $\varnothing 1\frac{7}{8} - 2\frac{3}{4}$ inches

Dh6	D1	D2 min.	D2 max.	D3	D4	D5	O-rings DASH no.											
							L1	L2	L3	a	s	3.1	3.2	3.3	3.4	3.5	3.8	3.11
1 7/8	2,862	3,059	3,307	2,953	4,803	5,906	1,968	1,378	0,944	3,622	0,689	135	145	145	145	145	137	007
2	2,941	3,138	3,307	3,031	4,803	5,906	1,968	1,378	0,944	3,622	0,689	136	146	146	146	146	138	007
2 1/8	3,059	3,256	3,307	3,150	4,803	5,906	1,968	1,378	0,944	3,622	0,689	138	148	148	148	148	140	007
2 1/4	3,217	3,414	3,622	3,307	5,079	6,299	1,968	1,378	0,944	3,937	0,689	140	150	150	150	150	142	007
2 3/8	3,335	3,532	3,622	3,425	5,079	6,299	1,968	1,378	0,944	3,937	0,689	142	151	151	151	151	144	007
2 1/2	3,453	3,650	4,094	3,543	5,512	7,087	1,968	1,378	0,944	4,409	0,689	144	151	151	151	151	146	007
2 5/8	3,610	3,807	4,094	3,701	5,512	7,087	1,968	1,378	0,944	4,409	0,689	146	152	152	152	152	148	007
2 3/4	3,728	3,925	4,094	3,819	5,512	7,087	1,968	1,378	0,944	4,409	0,689	149	153	153	153	153	150	007

Mechanical seal Type 323

Mechanical seal Type 323



Dimension table $\varnothing 2 \frac{7}{8} - 4 \frac{1}{4}$ inches

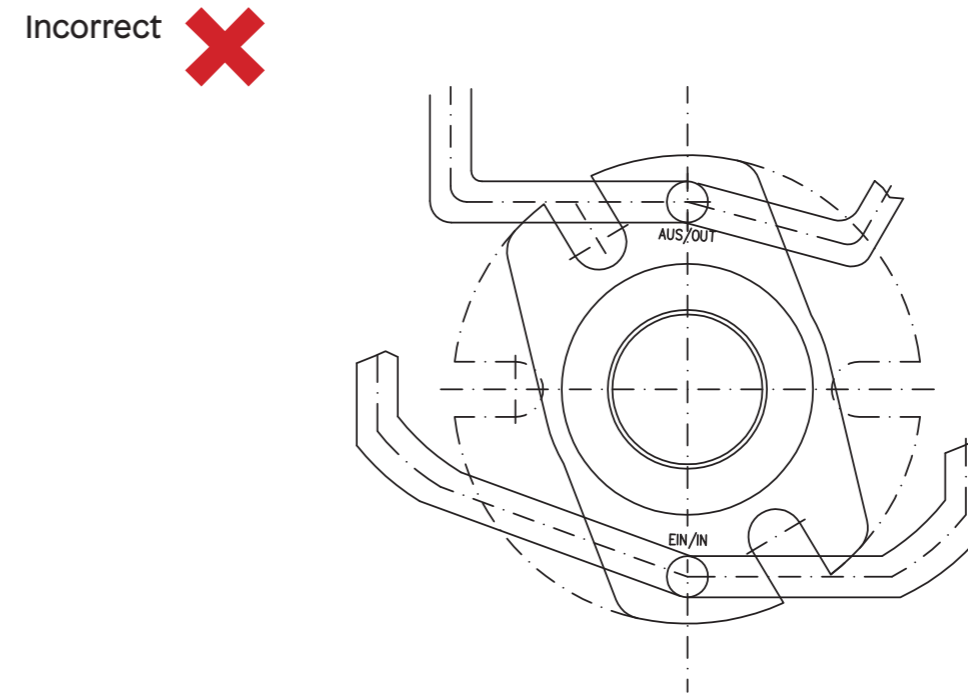
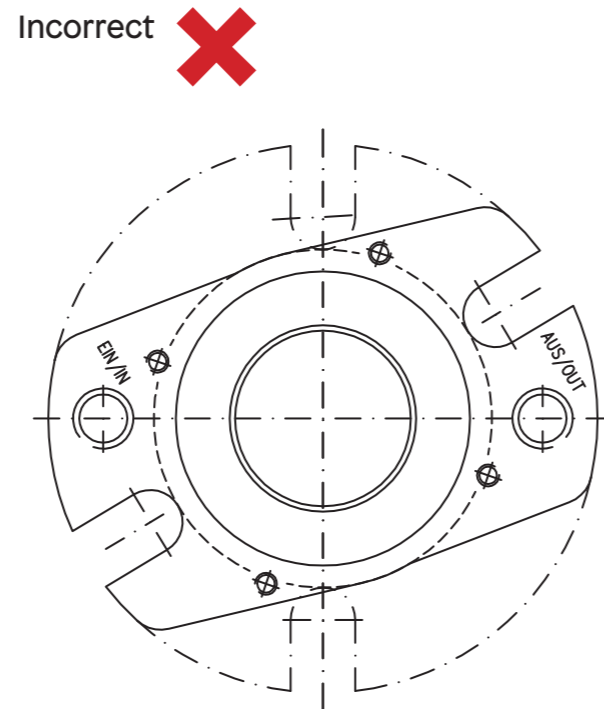
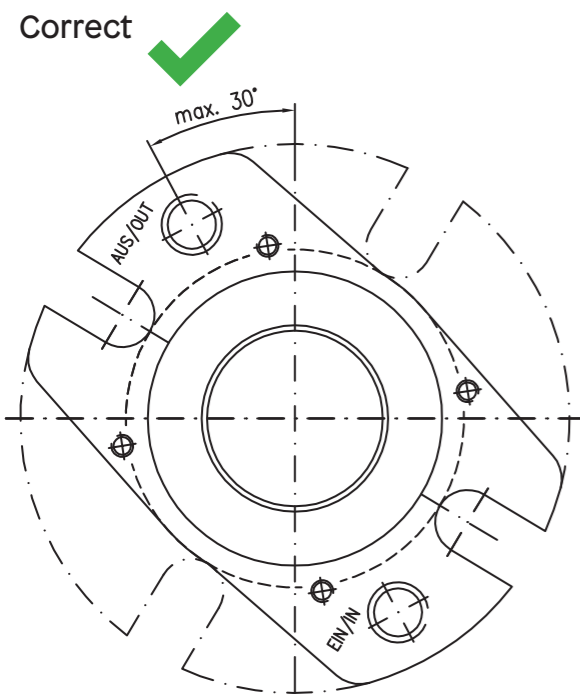
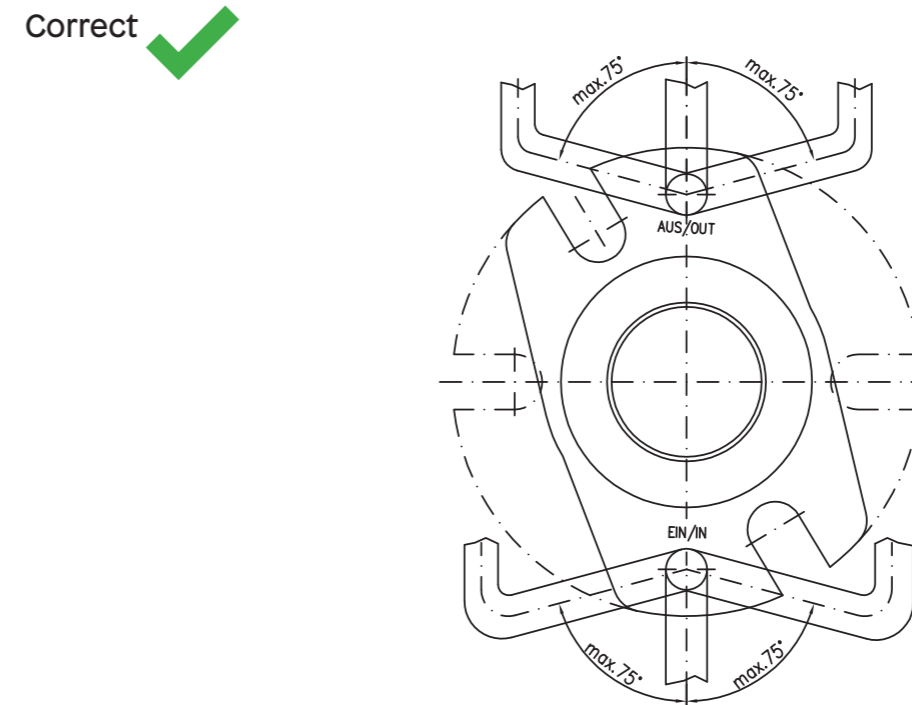
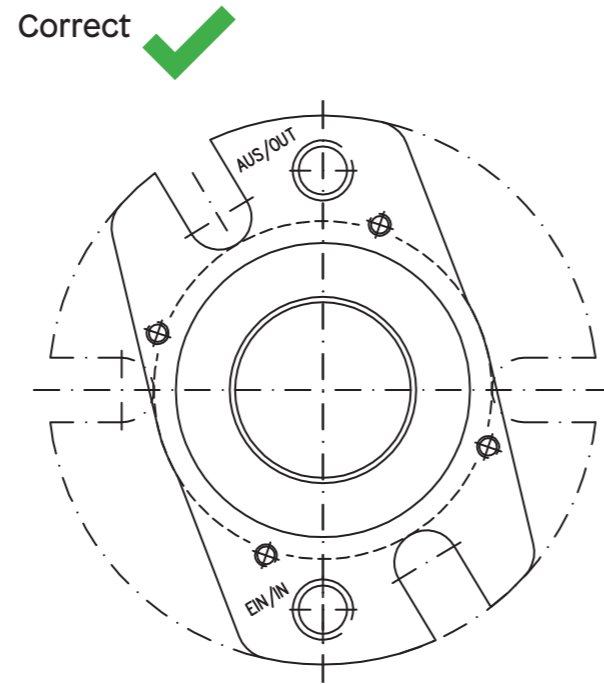
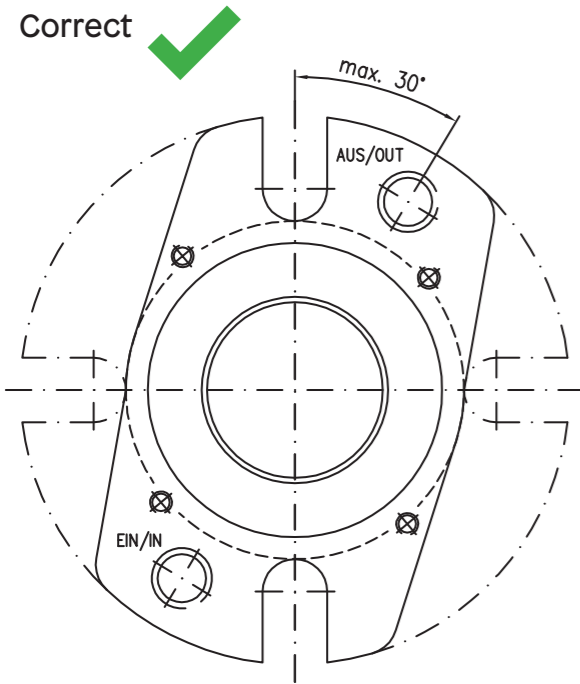
Dh6	D1	D2 min.	D2 max.	D3	D4	D5	L1	L2	L3	a	s	O-rings DASH no.						
												3.1	3.2	3.3	3.4	3.5	3.8	3.11
2 7/8	4,165	4,362	4,724	4,173	6,299	7,480	2,146	1,515	1,004	5,039	0,689	233	239	239	239	239	152	007
3	4,244	4,441	4,803	4,252	6,299	7,480	2,146	1,515	1,004	5,118	0,689	234	240	240	240	240	152	007
3 1/8	4,441	4,638	5,000	4,449	7,480	8,661	2,146	1,515	1,004	5,315	0,689	236	242	242	242	242	153	007
3 1/4	4,559	4,756	5,118	4,567	7,480	8,661	2,146	1,515	1,004	5,433	0,846	236	242	242	242	242	153	007
3 3/8	4,638	4,835	5,197	4,646	7,480	8,661	2,146	1,515	1,004	5,512	0,846	237	243	243	243	243	153	007
3 1/2	4,835	5,032	5,394	4,843	7,480	8,661	2,146	1,515	1,004	5,709	0,846	239	245	245	245	245	154	007
3 5/8	4,913	5,110	5,472	4,921	7,480	8,661	2,146	1,515	1,004	5,787	0,846	239	245	245	245	245	155	007
3 3/4	5,031	5,228	5,591	5,039	7,480	8,661	2,146	1,515	1,004	5,906	0,846	240	246	246	246	246	155	007
4	5,228	5,425	5,787	5,236	8,268	9,449	2,146	1,515	1,004	6,102	0,846	242	248	248	248	248	156	007
4 1/8	5,425	5,622	5,984	5,433	8,268	9,449	2,146	1,515	1,004	6,299	0,846	243	250	250	250	250	157	007
4 1/4	5,622	5,819	6,181	5,630	8,268	9,449	2,146	1,515	1,004	6,496	0,846	244	251	251	251	251	157	007

Dimension table $\varnothing 4 \frac{5}{16} - 6 \frac{1}{4}$ inches

Dh6	D1	D2 min.	D2 max.	D3	D4	D5	L1	L2	L3	a	s	O-rings DASH no.						
												3.1	3.2	3.3	3.4	3.5	3.8	3.11
4 5/16	5,622	5,819	6,181	5,630	8,268	9,449	2,146	1,515	1,004	6,496	0,846	244	251	251	251	251	157	007
4 1/2	5,819	6,016	6,378	5,827	8,268	9,449	2,146	1,515	1,004	6,693	0,846	246	253	253	253	253	158	007
4 3/4	6,016	6,213	6,575	6,024	9,055	10,236	2,146	1,515	1,004	6,890	0,846	248	254	254	254	254	159	007
5	6,409	6,606	6,968	6,417	9,055	10,236	2,146	1,515	1,004	7,283	0,846	250	257	257	257	257	161	007
5 1/8	6,409	6,606	6,968	6,417	9,055	10,236	2,146	1,515	1,004	7,283	0,846	251	257	257	257	257	161	007
5 1/4	6,606	6,803	7,165	6,614	9,055	10,236	2,146	1,515	1,004	7,480	0,846	252	258	258	258	258	161	007
5 1/2	6,803	7,000	7,362	6,811	9,843	11,024	2,146	1,515	1,004	7,677	0,846	254	259	259	259	259	162	007
5 3/4	7,000	7,197	7,559	7,008	9,843	11,024	2,146	1,515	1,004	7,874	0,846	256	260	260	260	260	163	007
6	7,394	7,591	7,953	7,402	9,843	11,024	2,146	1,515	1,004	8,268	0,846	258	261	261	261	261	164	007
6 1/4	7,591	7,788	8,150	7,598	10,236	11,417	2,146	1,515	1,004	8,465	0,846	259	262	262	262	262	164	007

Mechanical seal Type 323 Installation position

Mechanical seal Type 323 Pipe installation



Mechanical seal Type 323R



The DEPAC mechanical seal type 323R is a product variant of the type 323. This stationary, tandem-active, double-cartridge mechanical seal with integrated barrier fluid pumping assistance is available in all sizes with a round gland and four fastening slots. The double pressure relief of the seal faces on the product side also ensures that the seal faces do not open in case of pressure reversal - and that the pressure relief for reducing the friction values is present under all pressure conditions.

The product variants in the form of the type 321 and the type 322, which are intended especially for larger seal chamber cross sections, round off the universal range of application for this mechanical seal.

Advantages

- Integrated barrier fluid pumping assistance
- Cartridge-mounted
- Double balanced
- Tandem active
- Independent of the direction of rotation
- Multiple springs made of Hastelloy C
- Springs outside the medium - no blockage of the springs
- Vibration-dampend stationary face support
- Venting option

Mechanical seal Type 323R

Technical specifications

Area of application*

Pressure:	700 mmHg to 28 bar
Temperature:	depending on elastomer
Sliding speed:	up to 35 m/s
Shaft movements:	axial $\geq \varnothing 24 \pm 1.0$ mm radial $\geq \varnothing 24 \pm 0.5$ mm

* The maximum specifications for temperature, pressure and sliding speed apply in each case to independent higher operating conditions. However, this does not mean that the seal will function with all extreme conditions at the same time. If in doubt contact DEPAC.

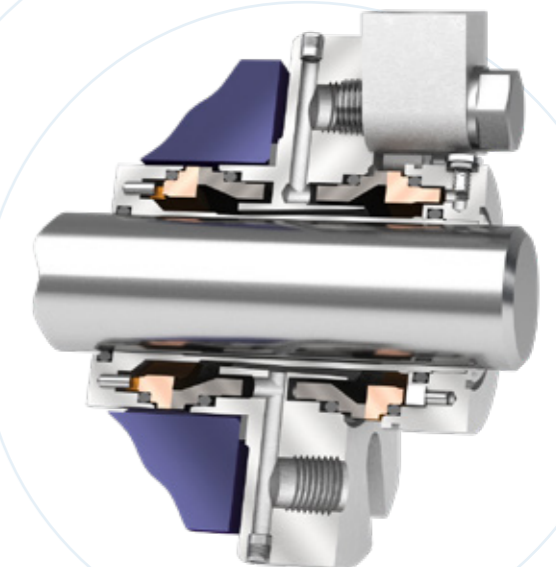
Dimensions

Shaft diameter:	24 – 70 mm $1\frac{5}{16}$ " – $2\frac{3}{4}$ " Special sizes on request
-----------------	--

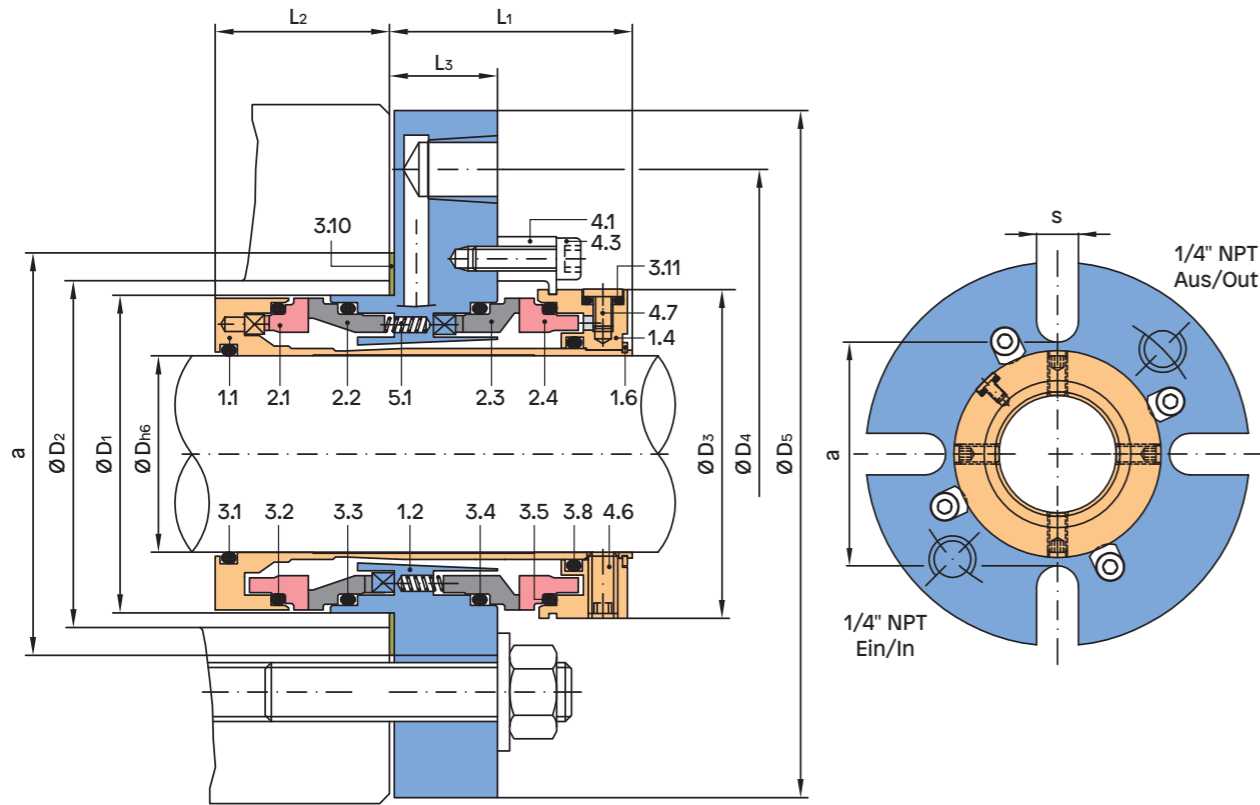
Bill of materials

Item	Description	Material
1.1	Sleeve	1.4571
1.2	Gland	1.4571
1.4	Adjusting ring	1.4571
1.6	Circlip	1.4310
2.1, 2.4	Dynamic seal face	SC/SSIC/TC
2.2, 2.3	Stationary seal face	CA/SC/SSIC/TC
3.1, 3.2, 3.3 3.4, 3.5, 3.8 3.11	O-ring	FKM, EPDM, Kalrez®, PTFE,...
3.10	Flat gasket	Klingersil® C-4300
4.1	Centering piece	Al
4.3	Cheesehead screw	A2
4.6	Threaded pin	A4
4.7	Bleed screw	A2
5.1	Spring	2.4610

Other materials on request!



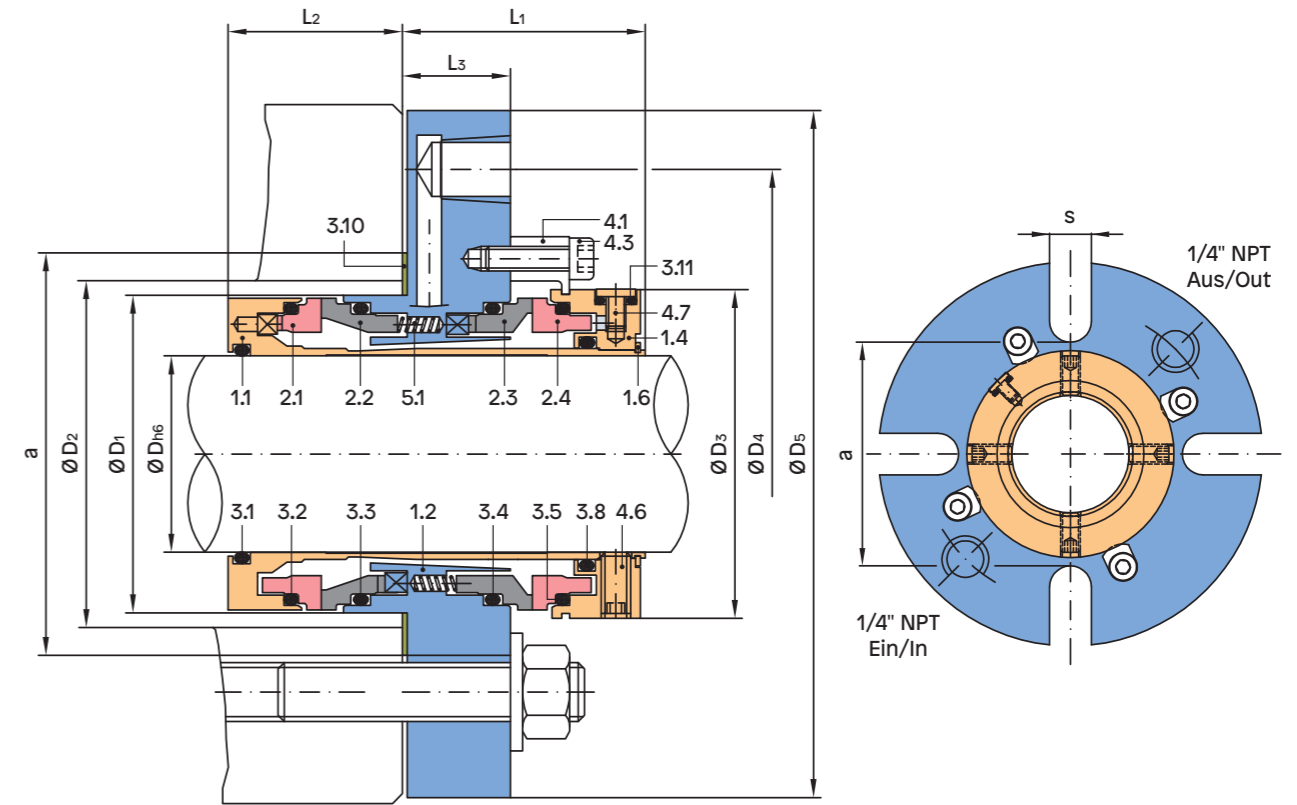
Mechanical seal Type 323R



Dimension table Ø 24 – 43 mm

Dh6	D1	D2 min.	D2 max.	D3	D4	D5	L1	L2	L3	a	s	O-rings DASH no.						
												3.1	3.2	3.3	3.4	3.5	3.8	3.11
24	49,7	50,2	59	52	89	115	50	35	24	67	12,5	119	130	130	130	130	122	007
25	49,7	50,2	59	52	89	115	50	35	24	67	12,5	120	130	130	130	130	122	007
28	52,7	53,2	59	55	89	115	50	35	24	67	12,5	122	132	132	132	132	124	007
30	54,7	55,2	59	57	89	115	50	35	24	67	12,5	123	133	133	133	133	125	007
32	57,7	58,2	67	60	102	130	50	35	24	75	14,7	124	135	135	135	135	127	007
33	57,7	58,2	67	60	102	130	50	35	24	75	14,7	125	135	135	135	135	127	007
35	59,7	60,2	67	62	102	130	50	35	24	75	14,7	126	137	137	137	137	128	007
38	62,7	63,2	74	65	114	140	50	35	24	82	14,7	128	138	138	138	138	130	007
40	64,7	65,2	74	67	114	140	50	35	24	82	14,7	130	140	140	140	140	132	007
42	66,7	67,2	74	69	114	140	50	35	24	82	14,7	131	141	141	141	141	133	007
43	67,7	68,2	74	70	114	140	50	35	24	82	14,7	132	142	142	142	142	133	007

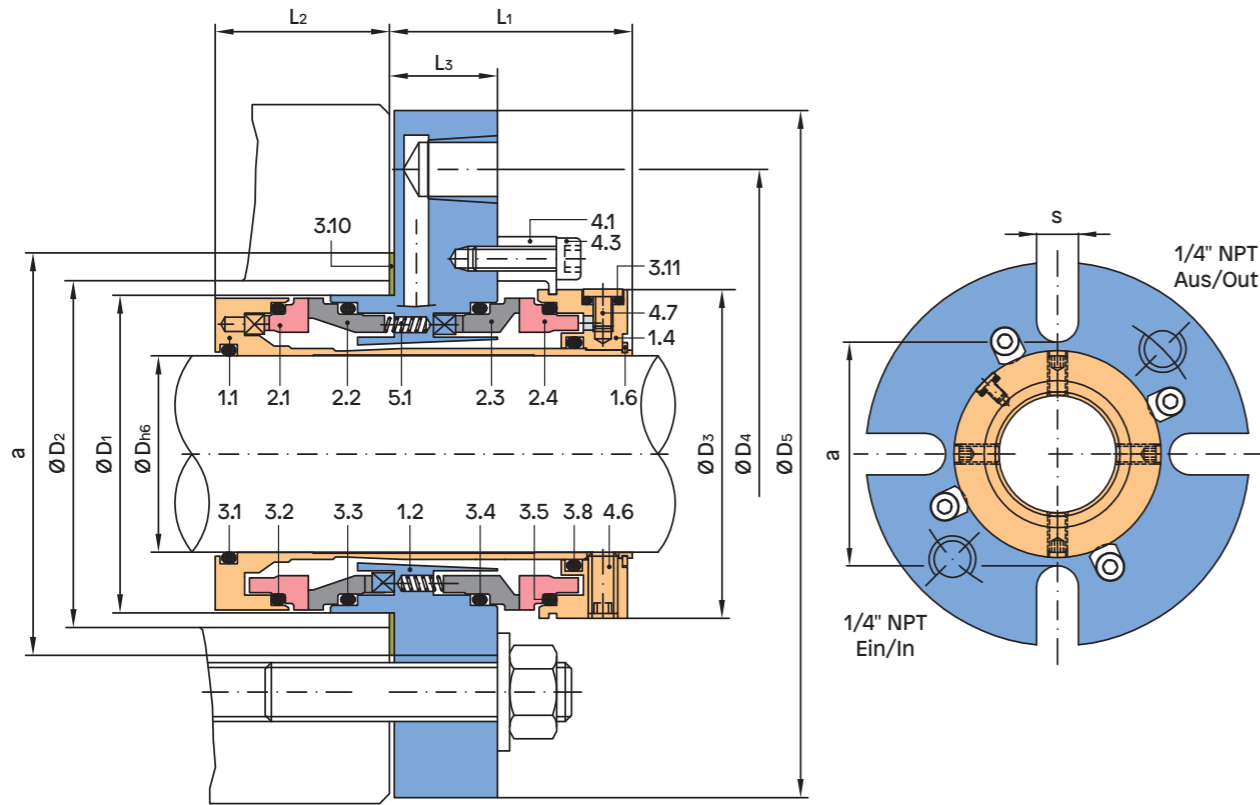
Mechanical seal Type 323R



Dimension table Ø 45 – 70 mm

Dh6	D1	D2 min.	D2 max.	D3	D4	D5	L1	L2	L3	a	s	O-rings DASH no.						
												3.1	3.2	3.3	3.4	3.5	3.8	3.11
45	69,7	70,2	74	72	114	140	50	35	24	82	14,7	133	143	143	143	143	135	007
48	72,7	73,2	84	75	122	150	50	35	24	92	17,5	135	145	145	145	145	137	007
50	74,7	75,2	84	77	122	150	50	35	24	92	17,5	136	146	146	146	146	138	007
53	77,7	78,2	84	80	122	150	50	35	24	92	17,5	138	148	148	148	148	140	007
55	79,7	80,2	92	82	129	160	50	35	24	100	17,5	139	149	149	149	149	141	007
58	82,7	83,2	92	85	129	160	50	35	24	100	17,5	141	150	150	150	150	143	007
60	84,7	85,2	92	87	129	160	50	35	24	100	17,5	142	151	151	151	151	144	007
63	87,7	88,2	104	90	140	180	50	35	24	112	17,5	144	151	151	151	151	146	007
65	89,7	90,2	104	92	140	180	50	35	24	112	17,5	145	152	152	152	152	147	007
68	92,7	93,2	104	95	140	180	50	35	24	112	17,5	147	152	152	152	152	149	007
70	94,7	95,2	104	97	140	180	50	35	24	112	17,5	149	153	153	153	153	150	007

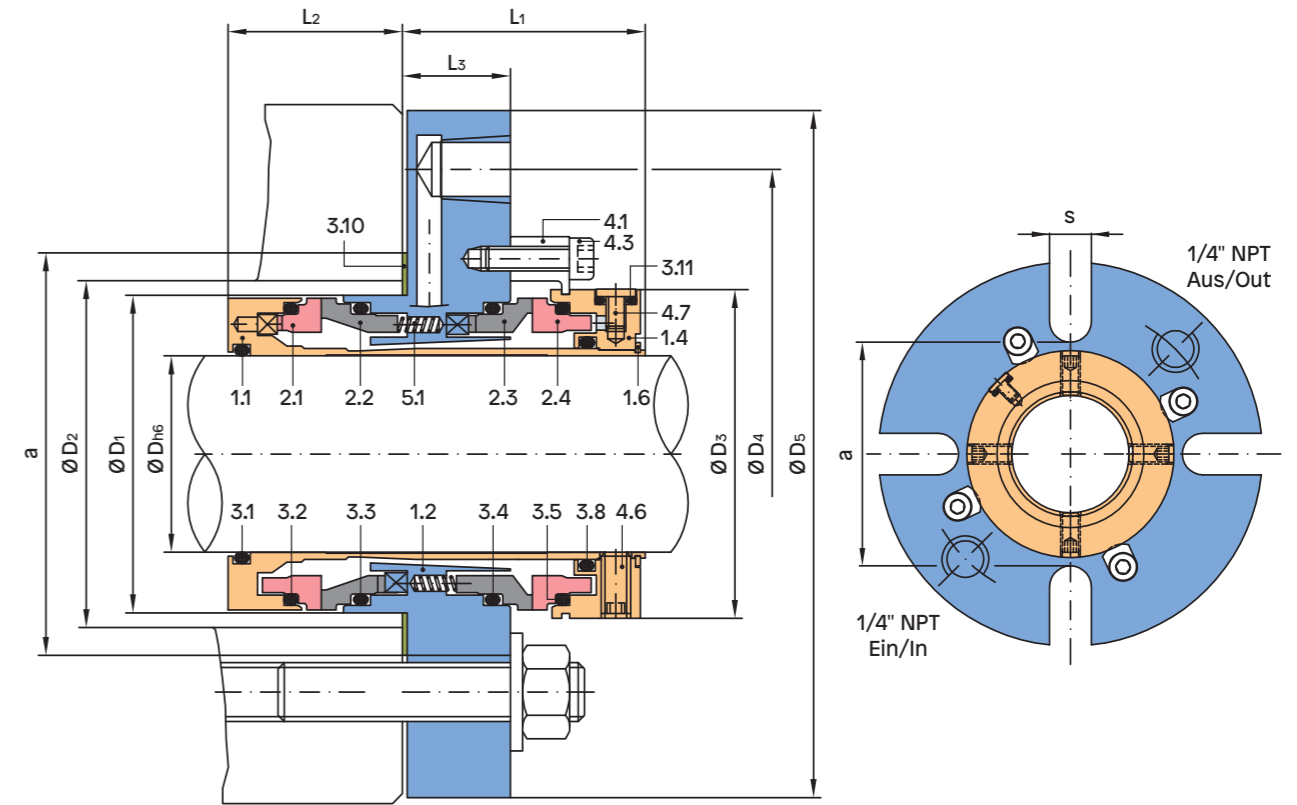
Mechanical seal Type 323R



Dimension table $\varnothing 1\frac{5}{16} - 1\frac{3}{4}$ inches

Dh6	D1	D2 min.	D2 max.	D3	D4	D5	L1	L2	L3	a	s	O-rings DASH no.							
												3.1	3.2	3.3	3.4	3.5	3.8	3.11	
$1\frac{5}{16}$	1,957	2,154	2,323	2,047	3,504	4,528	1,968	1,378	0,944	2,638	0,492	119	130	130	130	130	122	007	
1	1,957	2,154	2,323	2,047	3,504	4,528	1,968	1,378	0,944	2,638	0,492	120	130	130	130	130	122	007	
$1\frac{1}{8}$	2,075	2,272	2,323	2,165	3,504	4,528	1,968	1,378	0,944	2,638	0,492	122	132	132	132	132	124	007	
$1\frac{1}{4}$	2,272	2,469	2,638	2,323	4,016	5,118	1,968	1,378	0,944	2,953	0,579	124	135	135	135	135	127	007	
$1\frac{3}{8}$	2,350	2,547	2,638	2,441	4,016	5,118	1,968	1,378	0,944	2,953	0,579	126	137	137	137	137	128	007	
$1\frac{7}{16}$	2,429	2,626	2,913	2,520	4,488	5,512	1,968	1,378	0,944	3,228	0,579	127	138	138	138	138	130	007	
$1\frac{1}{2}$	2,469	2,666	2,913	2,559	4,488	5,512	1,968	1,378	0,944	3,228	0,579	128	138	138	138	138	130	007	
$1\frac{5}{8}$	2,626	2,823	2,913	2,717	4,488	5,512	1,968	1,378	0,944	3,228	0,579	131	141	141	141	141	133	007	
$1\frac{3}{4}$	2,744	2,941	2,913	2,835	4,488	5,512	1,968	1,378	0,944	3,228	0,579	133	143	143	143	143	135	007	

Mechanical seal Type 323R

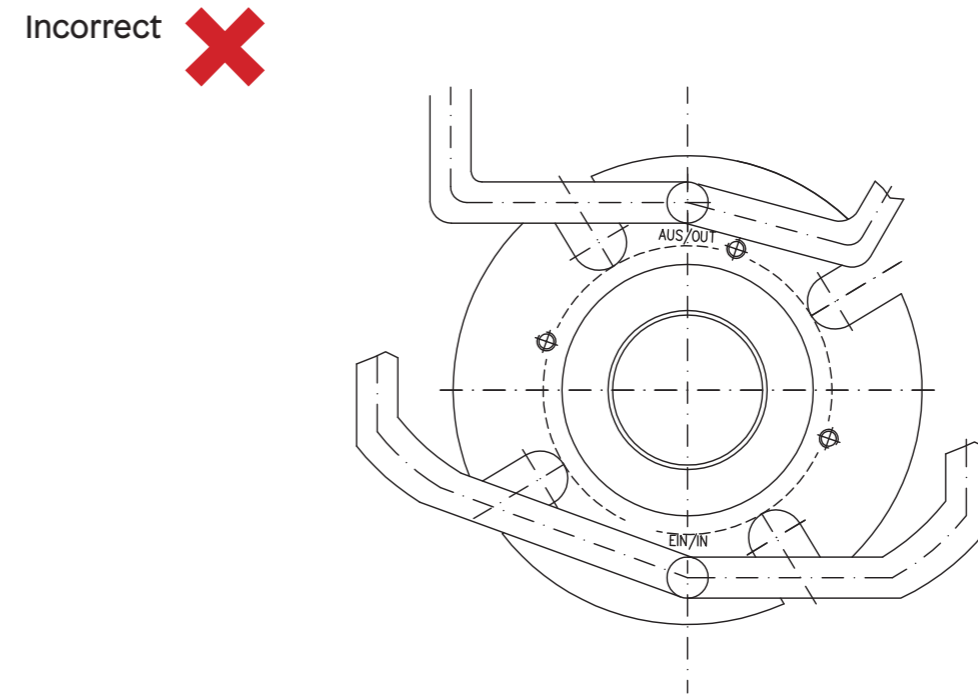
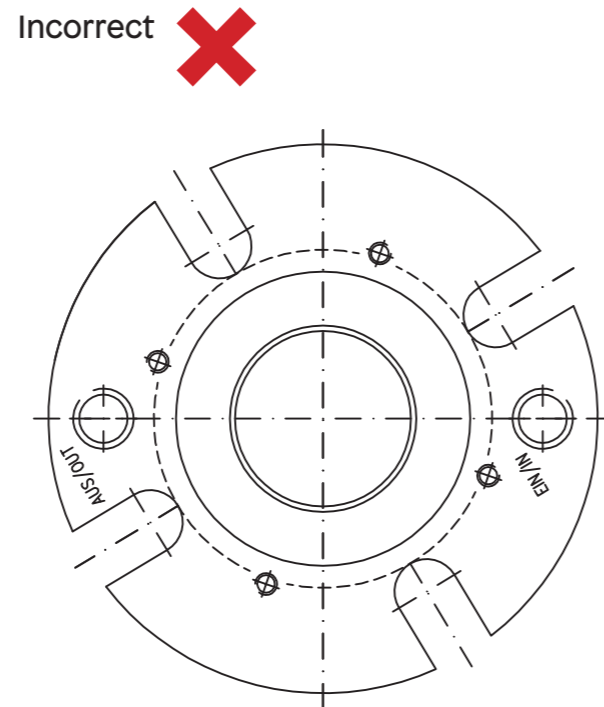
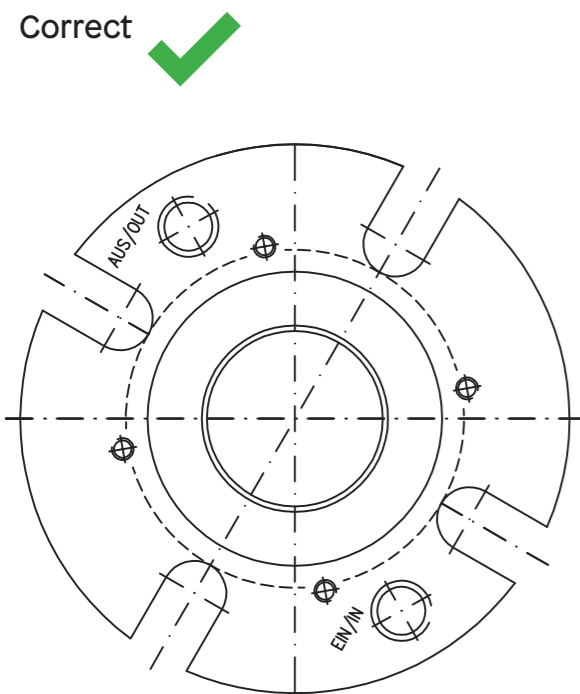
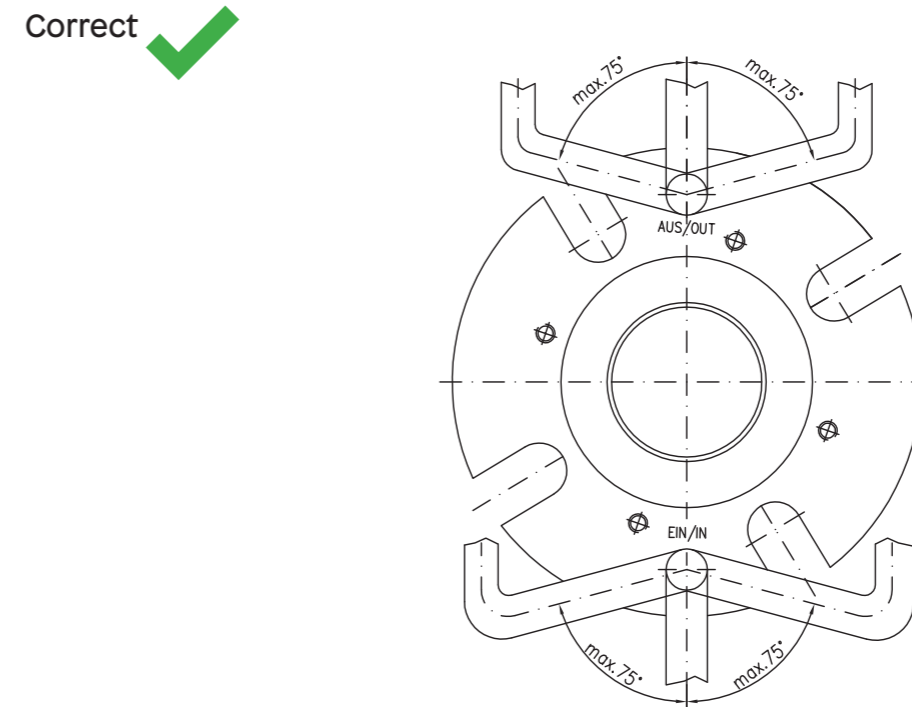
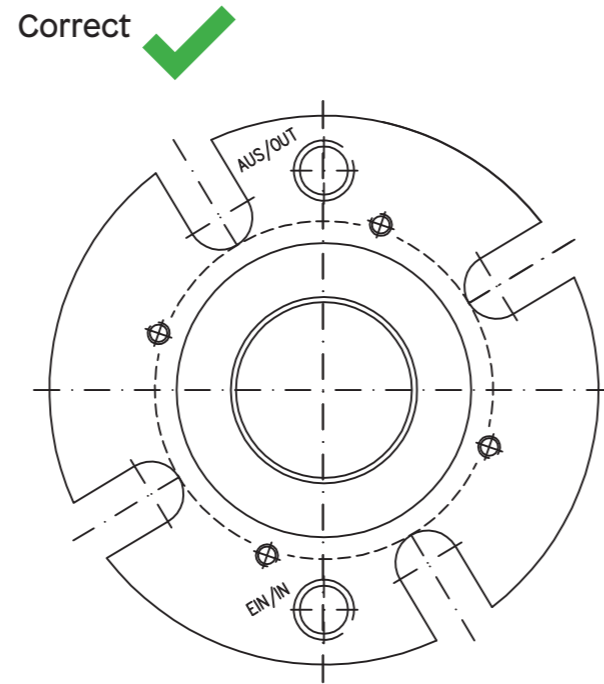
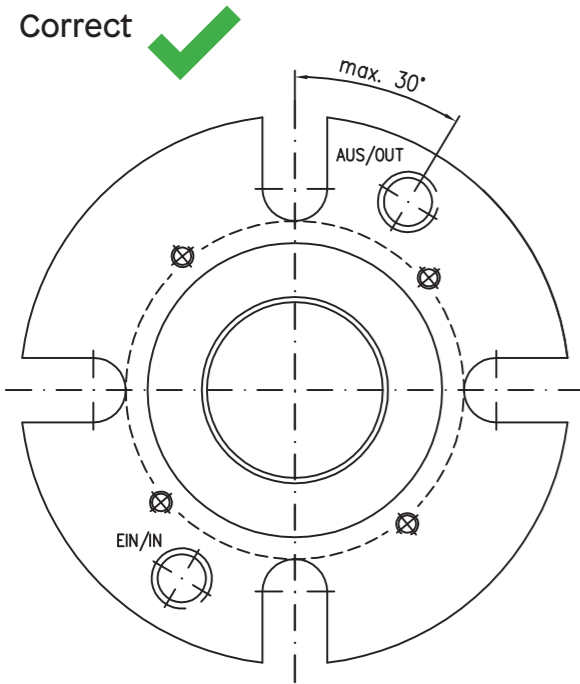


Dimension table $\varnothing 1\frac{7}{8} - 2\frac{3}{4}$ inches

Dh6	D1	D2 min.	D2 max.	D3	D4	D5	L1	L2	L3	a	s	O-rings DASH no.							
												3.1	3.2	3.3	3.4	3.5	3.8	3.11	
$1\frac{7}{8}$	2,862	3,059	3,307	2,953	4,803	5,906	1,968	1,378	0,944	3,622	0,689	135	145	145	145	145	137	007	
2	2,941	3,138	3,307	3,031	4,803	5,906	1,968	1,378	0,944	3,622	0,689	136	146	146	146	146	138	007	
$2\frac{1}{8}$	3,059	3,256	3,307	3,150	4,803	5,906	1,968	1,378	0,944	3,622	0,689	138	148	148	148	148	140	007	
$2\frac{1}{4}$	3,217	3,414	3,622	3,307	5,079	6,299	1,968	1,378	0,944	3,937	0,689	140	150	150	150	150	142	007	
$2\frac{3}{8}$	3,335	3,532	3,622	3,425	5,079	6,299	1,968	1,378	0,944	3,937	0,689	142	151	151	151	151	144	007	
$2\frac{1}{2}$	3,453	3,650	4,094	3,543	5,512	7,087	1,968	1,378	0,944	4,409	0,689	144	151	151	151	151	146	007	
$2\frac{5}{8}$	3,610	3,807	4,094	3,701	5,512	7,087	1,968	1,378	0,944	4,409	0,689	146	152	152	152	152	148	007	
$2\frac{3}{4}$	3,728	3,925	4,094	3,819	5,512	7,087	1,968	1,378	0,944	4,409	0,689	149	153	153	153	153	150	007	

Mechanical seal Type 323R Installation position

Mechanical seal Type 323R Pipe installation



Mechanical seal Type 326



The DEPAC mechanical seal type 326 is a stationary, tandem-active, double-cartridge mechanical seal with extended axial free movement space. Thanks to its unique design with „floating“ seal faces, the mechanical seal is capable of absorbing axial movements of up to ± 2.0 mm in the seal itself and nevertheless always maintaining the faces in the same pressure ratio to each other. The double pressure relief of the seal faces on the product side also ensures that the seal faces do not open in case of pressure reversal - and that the pressure relief for reducing the friction values is present under all pressure conditions. This mechanical seal operates reliably and fully independently of any axial shaft movements.

Advantages

- Extended axial free movement space of ± 2.0 mm
- Cartridge-mounted
- Double balanced and tandem-active
- Tandem-active
- Independent of the direction of rotation
- Venting option
- Multiple springs made of Hastelloy C
- Springs outside the medium - no blockage of the springs
- Vibration-dampend stationary face support

Mechanical seal Type 326

Technical specifications

Area of application*

Pressure:	700 mmHg to 28 bar
Temperature:	depending on elastomer
Sliding speed:	up to 25 m/s
Shaft movements:	axial ± 2.0 mm
	radial $\leq \varnothing 70 \pm 0.5$ mm $\geq \varnothing 75 \pm 0.8$ mm

* The maximum specifications for temperature, pressure and sliding speed apply in each case to independent higher operating conditions. However, this does not mean that the seal will function with all extreme conditions at the same time. If in doubt contact DEPAC.

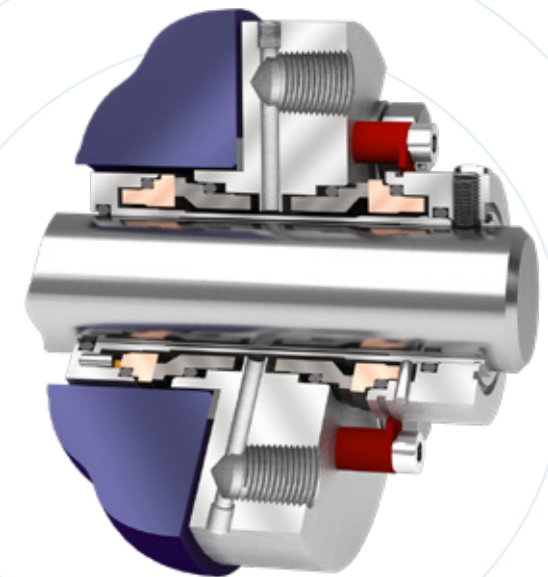
Dimensions

Shaft diameter:	24 – 160 mm
	$1\frac{5}{16}$ " – $6\frac{1}{4}$ "
	Special sizes on request

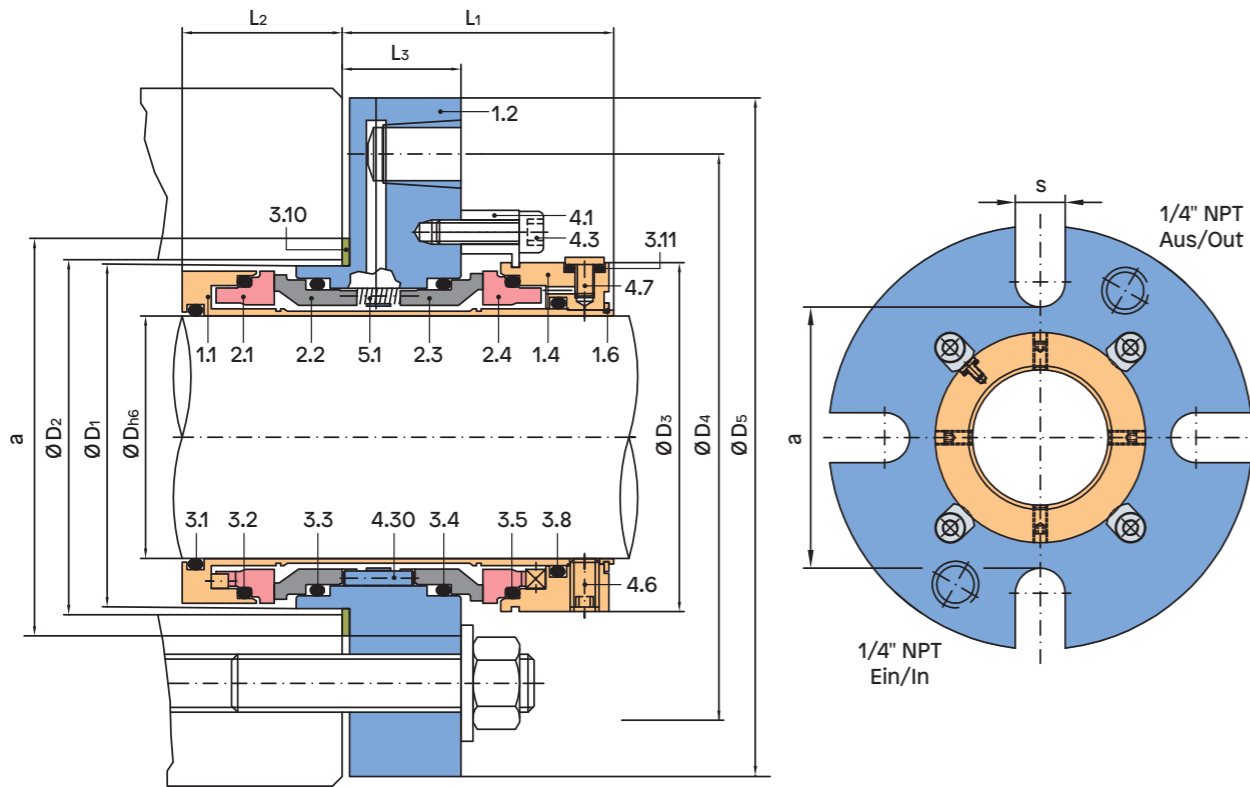
Bill of materials

Item	Description	Material
1.1	Sleeve	1.4571
1.2	Gland	1.4571
1.4	Adjusting ring	1.4571
1.6	Circlip	1.4310
2.1, 2.4	Dynamic seal face	SC/SSIC/TC
2.2, 2.3	Stationary seal face	CA/SC/SSIC/TC
3.1, 3.2, 3.3 3.4, 3.5, 3.8 3.11	O-ring	FKM, EPDM, Kalrez®, PTFE,...
3.10	Flat gasket	Klingersil® C-4300
4.1	Centering piece	Al
4.3	Cylindrical pin	A4
4.6	Threaded pin	A4
4.7	Bleed screw	A2
5.1	Spring	2.4610

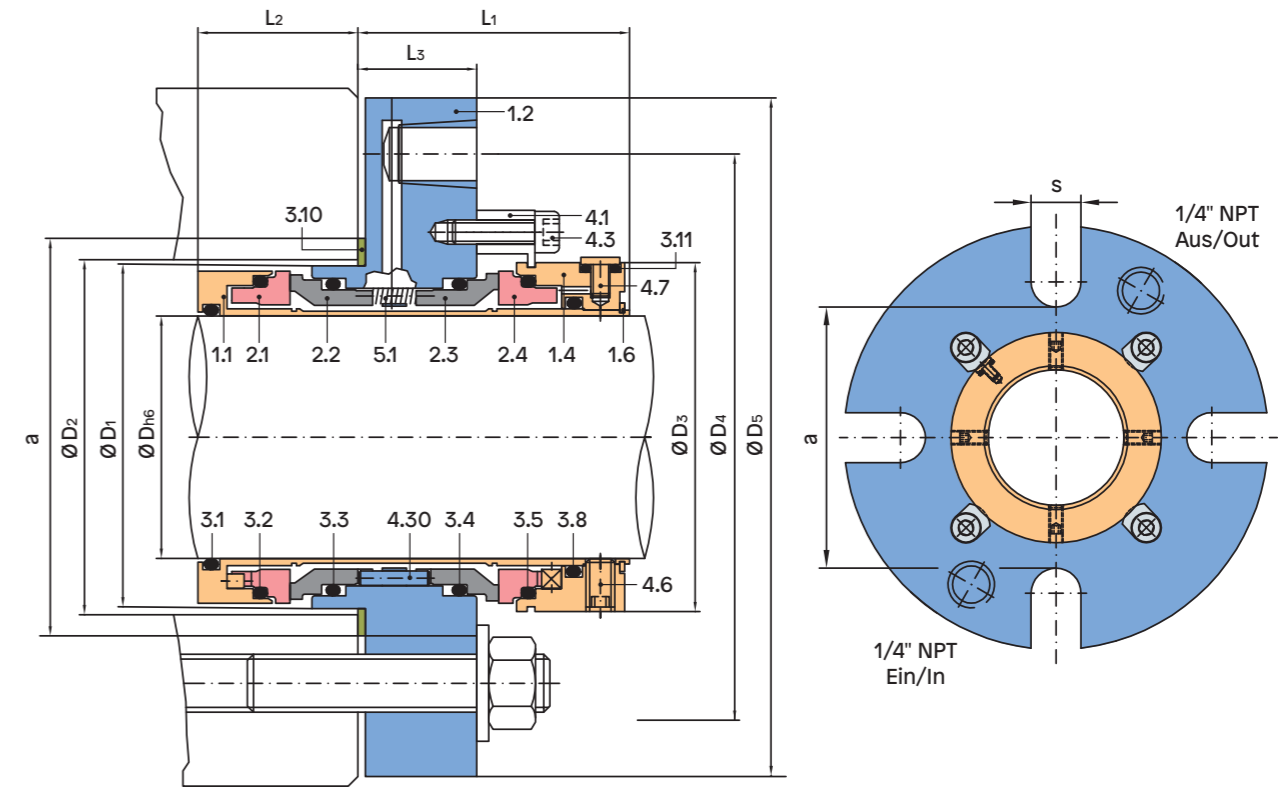
Other materials on request!



Mechanical seal Type 326



Mechanical seal Type 326



Dimension table $\varnothing 24 - 43$ mm

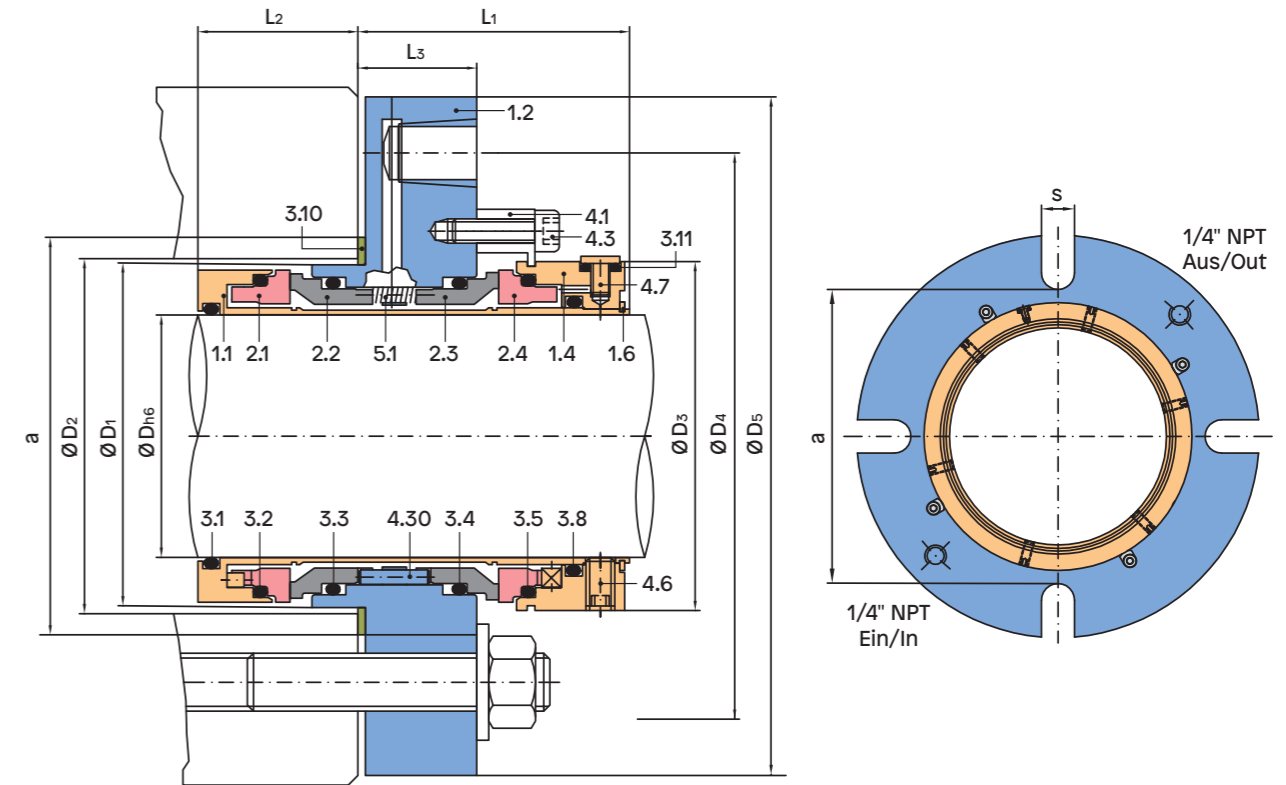
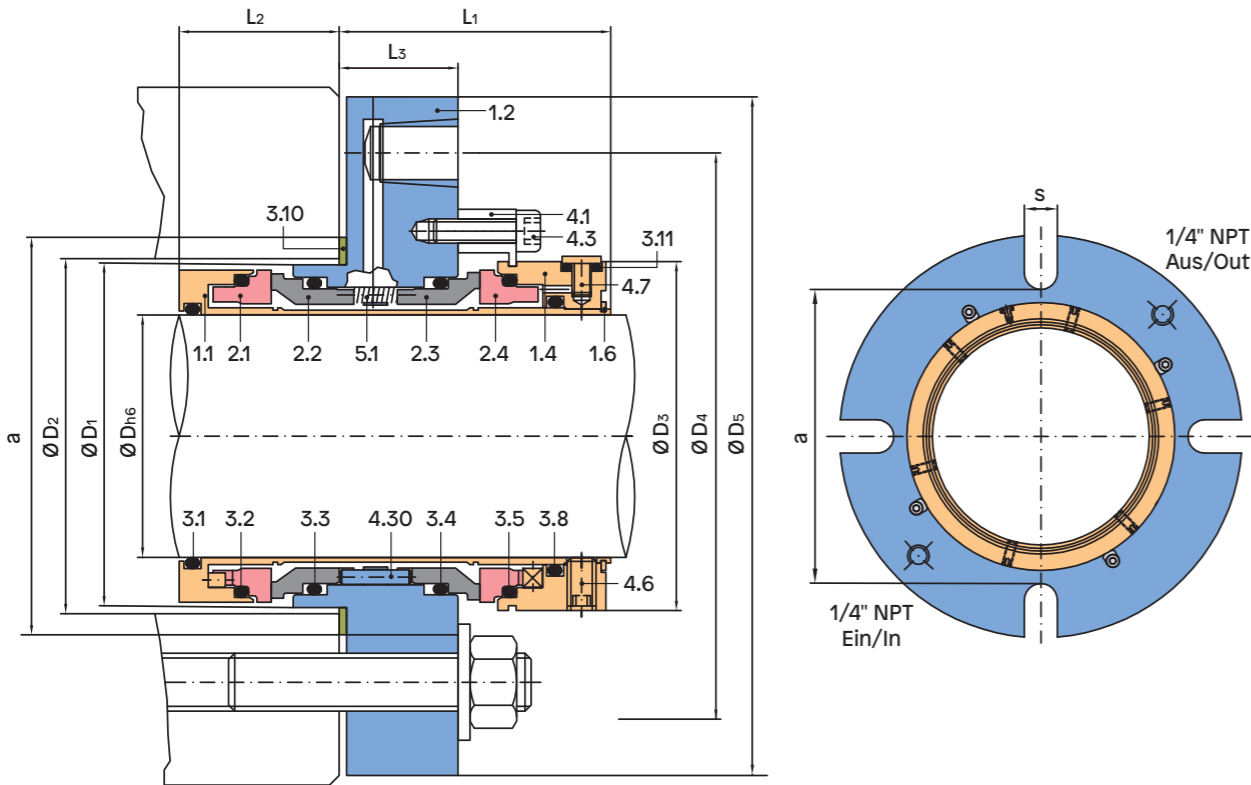
Dh6	D1	D2 min.	D2 max.	D3	D4	D5	L1	L2	L3	a	s	O-rings DASH no.					
												3.1	3.2	3.3	3.4	3.5	3.8
24	45,7	47	52	47	82	105	56	33	24,5	60	12,5	119	126	126	126	122	007
25	45,7	47	52	47	82	105	56	33	24,5	60	12,5	120	126	126	126	122	007
28	48,7	50	52	50	82	105	56	33	24,5	60	12,5	122	128	128	128	124	007
30	50,7	52	59	52	89	115	56	33	24,5	67	12,5	123	130	130	130	125	007
32	52,7	54	59	54	89	115	56	33	24,5	67	12,5	124	131	131	131	127	007
33	53,7	55	59	55	89	115	56	33	24,5	67	12,5	125	131	131	131	127	007
35	55,7	57	59	57	89	115	56	33	24,5	67	12,5	126	133	133	133	128	007
38	58,7	60	67	60	102	130	56	33	24,5	75	14,7	128	135	135	135	130	007
40	60,7	62	67	62	102	130	56	33	24,5	75	14,7	130	136	136	136	132	007
42	62,7	64	74	64	114	140	56	33	24,5	82	14,7	131	137	137	137	133	007
43	63,7	65	74	65	114	140	56	33	24,5	82	14,7	132	138	138	138	133	007

Dimension table $\varnothing 45 - 70$ mm

Dh6	D1	D2 min.	D2 max.	D3	D4	D5	L1	L2	L3	a	s	O-rings DASH no.					
												3.1	3.2	3.3	3.4	3.5	3.8
45	65,7	67	74	67	114	140	56	33	24,5	82	14,7	133	139	139	139	135	007
48	68,7	70	74	70	114	140	56	33	24,5	82	14,7	135	141	141	141	137	007
50	70,7	72	74	72	114	140	56	33	24,5	82	14,7	136	142	142	142	138	007
53	73,7	75	84	75	122	150	56	33	24,5	92	17,5	138	144	144	144	140	007
55	75,7	77	84	77	122	150	56	33	24,5	92	17,5	139	145	145	145	141	007
58	78,7	80	84	80	122	150	56	33	24,5	92	17,5	141	147	147	147	143	007
60	80,7	82	92	82	129	160	56	33	24,5	100	17,5	142	148	148	148	144	007
63	83,7	85	92	85	129	160	56	33	24,5	100	17,5	144	150	150	150	146	007
65	85,7	87	92	87	129	160	56	33	24,5	100	17,5	145	151	151	151	147	007
68	88,7	90	104	90	140	180	56	33	24,5	112	17,5	147	151	151	151	149	007
70	90,7	92	104	92	140	180	56	33	24,5	112	17,5	149	151	151	151	150	007

Mechanical seal Type 326

Mechanical seal Type 326



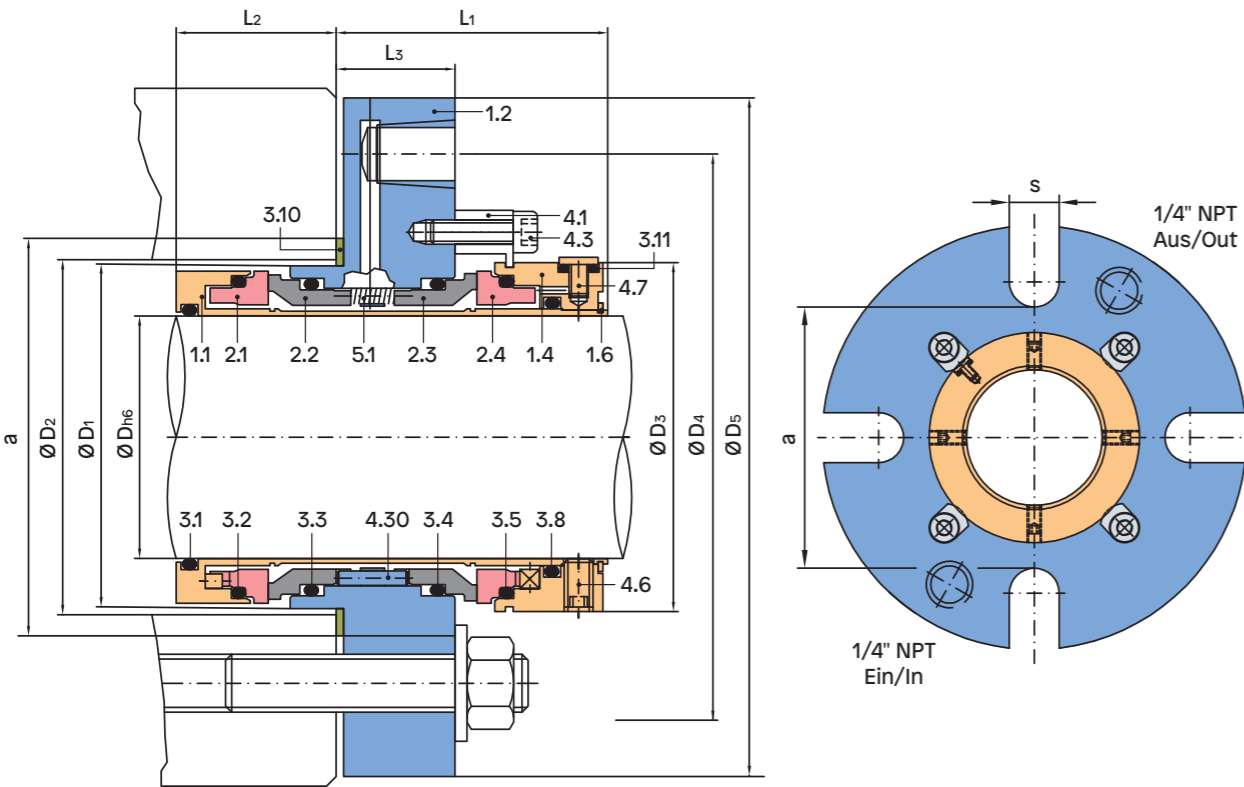
Dimension table $\varnothing 75 - 115$ mm

Dimension table $\varnothing 120 - 160$ mm

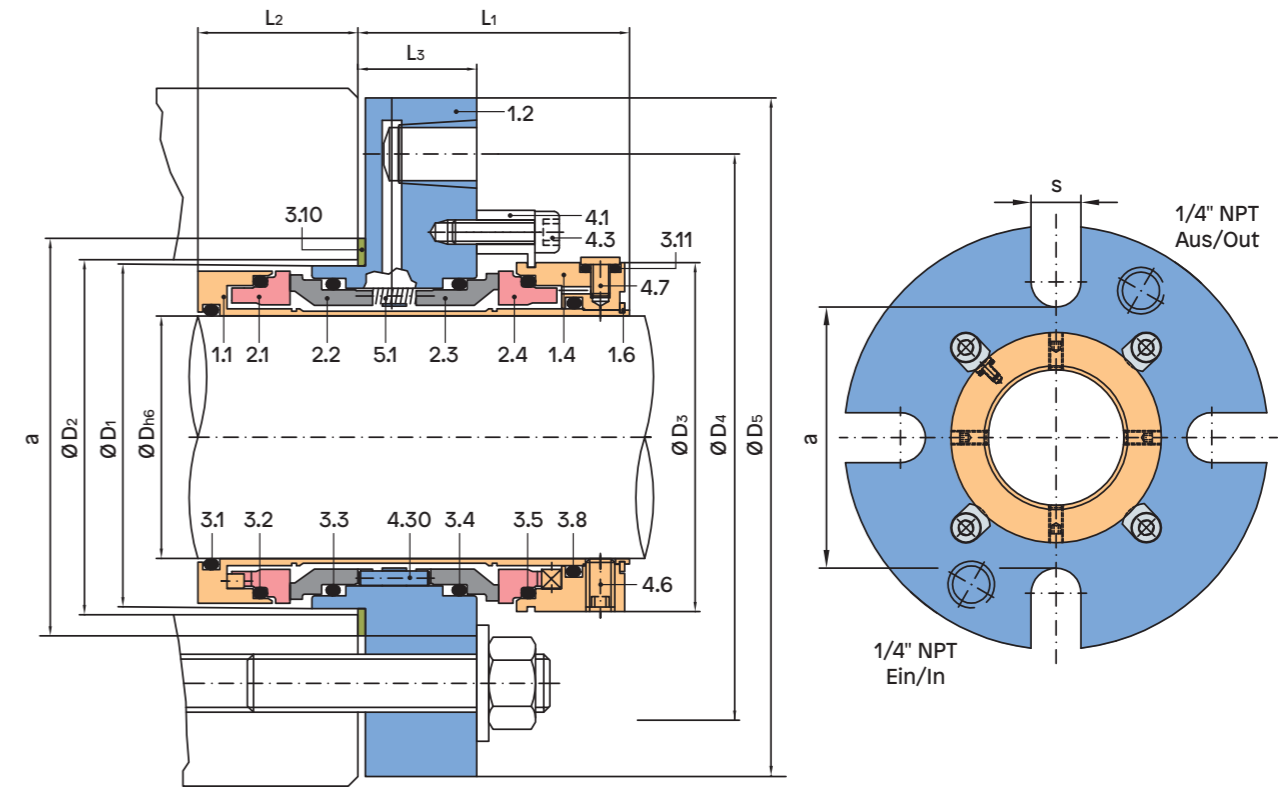
Dh6	D1	D2 min.	D2 max.	D3	D4	D5	L1	L2	L3	a	s	O-rings DASH no.						
												3.1	3.2	3.3	3.4	3.5	3.8	3.11
75	102,8	103	117	103	160	190	58,4	38,6	25,5	125	17,5	234	238	238	238	238	152	007
80	107,8	108	122	108	160	190	58,4	38,6	25,5	130	17,5	236	240	240	240	240	153	007
85	112,8	113	127	113	190	220	58,4	38,6	25,5	135	21,5	237	241	241	241	241	153	007
90	117,8	118	132	118	190	220	58,4	38,6	25,5	140	21,5	239	243	243	243	243	154	007
95	122,8	123	137	123	190	220	58,4	38,6	25,5	145	21,5	240	245	245	245	245	155	007
100	127,8	128	142	128	190	220	58,4	38,6	25,5	150	21,5	242	246	246	246	246	156	007
105	132,8	133	147	133	210	240	58,4	38,6	25,5	155	21,5	243	248	248	248	248	157	007
110	137,8	138	152	138	210	240	58,4	38,6	25,5	160	21,5	245	249	249	249	249	157	007
115	142,8	143	157	143	210	240	58,4	38,6	25,5	165	21,5	247	251	251	251	251	158	007

Dh6	D1	D2 min.	D2 max.	D3	D4	D5	L1	L2	L3	a	s	O-rings DASH no.						
												3.1	3.2	3.3	3.4	3.5	3.8	3.11
120	147,8	148	162	148	210	240	58,4	38,6	25,5	170	21,5	248	252	252	252	252	159	007
125	152,8	153	167	153	230	260	58,4	38,6	25,5	175	21,5	250	254	254	254	254	160	007
130	157,8	158	172	158	230	260	58,4	38,6	25,5	180	21,5	251	256	256	256	256	161	007
135	162,8	163	177	163	230	260	58,4	38,6	25,5	185	21,5	253	257	257	257	257	161	007
140	167,8	168	182	168	230	260	58,4	38,6	25,5	190	21,5	255	258	258	258	258	162	007
145	172,8	173	187	173	250	280	58,4	38,6	25,5	195	21,5	256	259	259	259	259	163	007
150	177,8	178	192	178	250	280	58,4	38,6	25,5	200	21,5	258	260	260	260	260	164	007
155	182,8	183	197	183	250	280	58,4	38,6	25,5	205	21,5	259	261	261	261	261	164	007
160	187,8	188	202	188	250	280	58,4	38,6	25,5	210	21,5	260	261	261	261	261	165	007

Mechanical seal Type 326



Mechanical seal Type 326



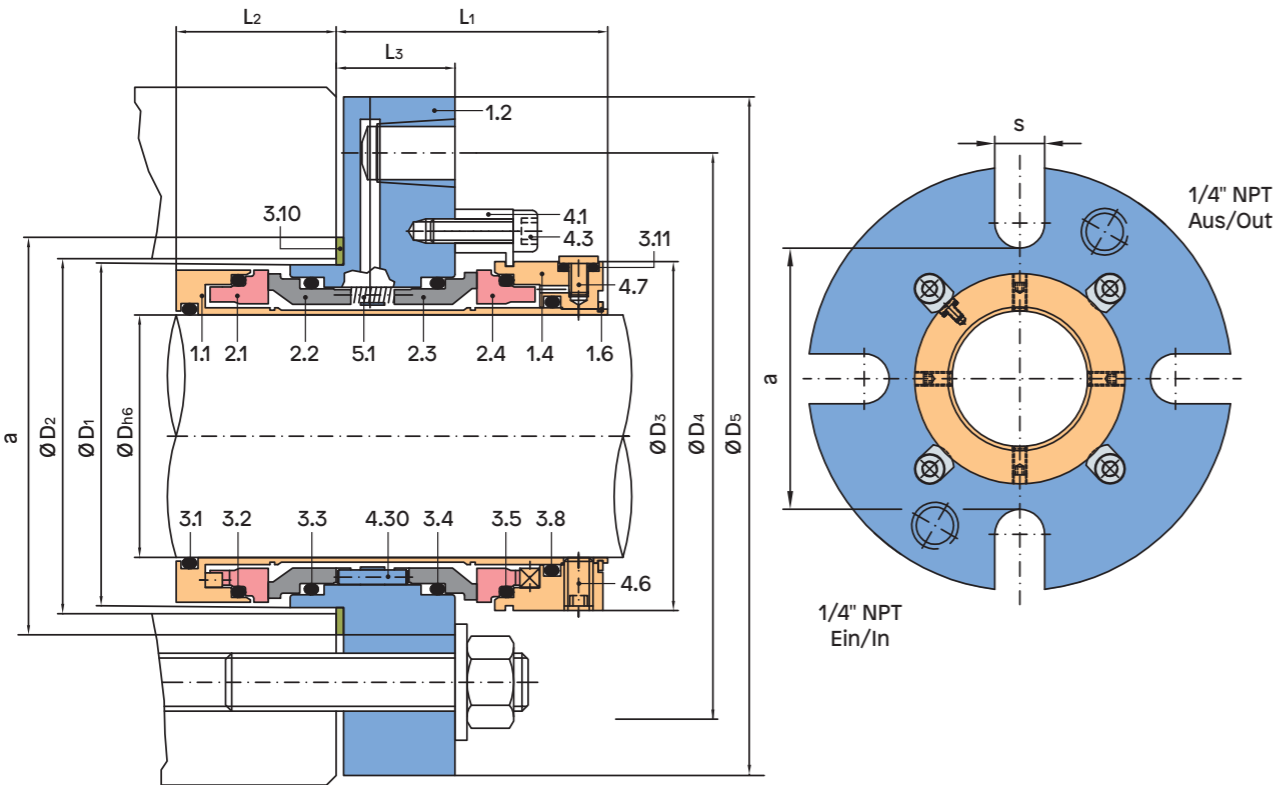
Dimension table $\varnothing 1\frac{5}{16} - 1\frac{3}{4}$ inches

Dh6	D1	D2 min.	D2 max.	D3	D4	D5	L1	L2	L3	a	s	O-rings DASH no.					
												3.1	3.2	3.3	3.4	3.5	3.8
$1\frac{5}{16}$	1,799	1,850	2,047	1,850	3,228	4,134	2,205	1,299	0,965	2,362	0,492	119	126	126	126	122	007
1	1,799	1,850	2,047	1,850	3,228	4,134	2,205	1,299	0,965	2,362	0,492	120	126	126	126	122	007
$1\frac{1}{8}$	1,917	1,969	2,047	1,969	3,228	4,134	2,205	1,299	0,965	2,362	0,492	122	128	128	128	124	007
$1\frac{1}{4}$	2,075	2,126	2,323	2,126	3,504	4,528	2,205	1,299	0,965	2,638	0,492	124	131	131	131	127	007
$1\frac{3}{8}$	2,193	2,244	2,323	2,244	3,504	4,528	2,205	1,299	0,965	2,638	0,492	126	133	133	133	128	007
$1\frac{7}{16}$	2,272	2,323	2,638	2,323	4,016	5,118	2,205	1,299	0,965	2,953	0,579	127	134	134	134	129	007
$1\frac{1}{2}$	2,311	2,362	2,638	2,362	4,016	5,118	2,205	1,299	0,965	2,953	0,579	128	135	135	135	130	007
$1\frac{5}{8}$	2,469	2,520	2,913	2,520	4,488	5,512	2,205	1,299	0,965	3,228	0,579	132	137	137	137	133	007
$1\frac{3}{4}$	2,587	2,638	2,913	2,638	4,488	5,512	2,205	1,299	0,965	3,228	0,579	133	139	139	139	135	007

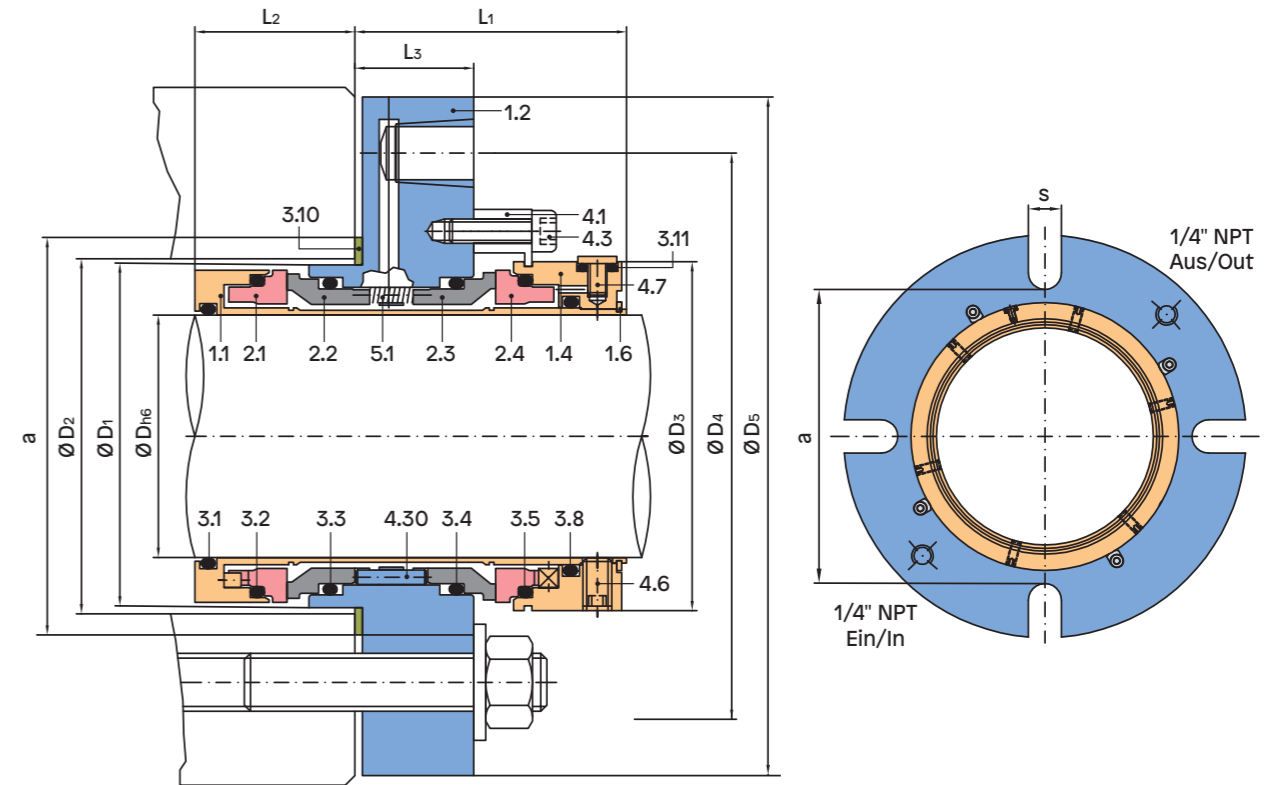
Dimension table $\varnothing 1\frac{7}{8} - 2\frac{3}{4}$ inches

Dh6	D1	D2 min.	D2 max.	D3	D4	D5	L1	L2	L3	a	s	O-rings DASH no.						
												3.1	3.2	3.3	3.4	3.5	3.8	3.11
$1\frac{7}{8}$	2,705	2,756	2,913	2,756	4,488	5,512	2,205	1,299	0,965	3,228	0,579	135	141	141	141	141	137	007
2	2,783	2,835	2,913	2,787	4,488	5,512	2,205	1,299	0,965	3,228	0,579	136	142	142	142	142	138	007
$2\frac{1}{8}$	2,902	2,953	3,307	2,953	4,803	5,906	2,205	1,299	0,965	3,622	0,689	138	144	144	144	144	140	007
$2\frac{1}{4}$	3,059	3,110	3,307	3,110	4,803	5,906	2,205	1,299	0,965	3,622	0,689	140	146	146	146	146	142	007
$2\frac{3}{8}$	3,177	3,228	3,622	3,228	5,079	6,299	2,205	1,299	0,965	3,937	0,689	142	148	148	148	148	144	007
$2\frac{1}{2}$	3,295	3,346	3,620	3,346	5,079	6,299	2,205	1,299	0,965	3,937	0,689	144	150	150	150	150	146	007
$2\frac{5}{8}$	3,453	3,504	4,094	3,504	5,512	7,087	2,205	1,299	0,965	4,409	0,689	146	151	151	151	151	148	007
$2\frac{3}{4}$	3,571	3,622	4,090	3,622	5,512	7,087	2,205	1,299	0,965	4,409	0,689	149	151	151	151	151	150	007

Mechanical seal Type 326



Mechanical seal Type 326



Dimension table Ø 2 7/8 – 4 1/8 inches

Dh6	D1	D2 min.	D2 max.	D3	D4	D5	L1	L2	L3	a	s	O-rings DASH no.					
												3.1	3.2	3.3	3.4	3.5	3.8
2 7/8	3,969	3,976	4,528	3,976	6,299	7,480	2,303	1,520	1,004	4,843	0,689	233	238	238	238	152	007
3	4,047	4,055	4,606	4,055	6,299	7,480	2,303	1,520	1,004	4,921	0,689	234	238	238	238	152	007
3 1/8	4,244	4,252	4,803	4,252	6,299	7,480	2,303	1,520	1,004	5,118	0,689	235	240	240	240	153	007
3 1/4	4,362	4,370	4,921	4,370	7,480	7,480	2,303	1,520	1,004	5,236	0,689	236	241	241	241	153	007
3 3/8	4,441	4,449	5,000	4,449	7,480	8,661	2,303	1,520	1,004	5,315	0,846	237	241	241	241	153	007
3 1/2	4,638	4,646	5,197	4,646	7,480	8,661	2,303	1,520	1,004	5,512	0,846	238	243	243	243	154	007
3 5/8	4,717	4,724	5,276	4,724	7,480	8,661	2,303	1,520	1,004	5,591	0,846	239	244	244	244	155	007
3 3/4	4,835	4,843	5,394	4,843	7,480	8,661	2,303	1,520	1,004	5,709	0,846	240	245	245	245	155	007
3 7/8	5,031	5,039	5,591	5,039	7,480	8,661	2,303	1,520	1,004	5,906	0,846	241	246	246	246	156	007
4	5,031	5,039	5,591	5,039	7,480	8,661	2,303	1,520	1,004	5,906	0,846	242	246	246	246	156	007
4 1/8	5,228	5,236	5,787	5,236	8,268	9,449	2,303	1,520	1,004	6,102	0,846	243	248	248	248	157	007

Dimension table Ø 4 1/4 – 6 1/4 inches

Dh6	D1	D2 min.	D2 max.	D3	D4	D5	L1	L2	L3	a	s	O-rings DASH no.					
												3.1	3.2	3.3	3.4	3.5	3.8
4 1/4	5,425	5,433	5,984	5,433	8,268	9,449	2,303	1,520	1,004	6,299	0,846	244	249	249	249	157	007
4 1/2	5,622	5,630	6,181	5,630	8,268	9,449	2,303	1,520	1,004	6,496	0,846	246	251	251	251	158	007
4 3/4	5,819	5,827	6,378	5,827	8,268	9,449	2,303	1,520	1,004	6,693	0,846	248	252	252	252	159	007
5	6,213	6,220	6,575	6,220	9,055	10,236	2,229	1,520	1,004	6,890	0,846	250	256	256	256	161	007
5 1/8	6,213	6,220	6,575	6,220	9,055	10,236	2,229	1,520	1,004	6,890	0,846	251	256	256	256	161	007
5 1/4	6,409	6,417	6,970	6,417	9,055	10,236	2,229	1,520	1,004	7,283	0,846	252	257	257	257	161	007
5 1/2	6,606	6,614	7,165	6,614	9,055	10,236	2,229	1,520	1,004	7,480	0,846	254	258	258	258	162	007
5 3/4	6,803	6,811	7,362	6,811	9,843	11,024	2,229	1,520	1,004	7,677	0,846	256	259	259	259	163	007
6	7,197	7,205	7,756	7,205	9,843	11,024	2,229	1,520	1,004	8,071	0,846	258	261	261	261	164	007
6 1/4	7,394	7,402	7,953	7,402	9,843	11,024	2,229	1,520	1,004	8,268	0,846	259	261	261	261	165	007

Mechanical seal Type 365



Particularly large pumps, agitators, mixers, autoclaves, filters, calenders, fermenters and similar units with large shafts often have a tendency for the shafts to move very eccentrically. This applies both to axial, radial and pendulating movements. Conventional mechanical seals cannot cope with these extreme conditions. DEPAC offers the mechanical seal type 365 for such applications. Thanks to its unique design with „floating“ seal faces, the mechanical seal is capable of absorbing these extreme movements in the seal itself and nevertheless always maintaining the faces in the same pressure ratio to each other. The double pressure balancing of the seal faces on the product side also ensures that the seal faces do not open in case of pressure reversal - and that the pressure balancing for reducing the friction values is present under all pressure conditions. This mechanical seal operates reliably and fully independently of any shaft movements.

Advantages

- Free movement space of ± 3.0 mm* axial, radial and pendulating
- Cartridge-mounted
- Double balanced and tandem-active
- Tandem-active
- Independent of the direction of rotation
- Venting option
- Multiple springs made of Hastelloy C
- Springs outside the medium - no blockage of the springs
- Vibration-dampend stationary face support

Mechanical seal Type 365

Technical specifications

Area of application*

Pressure:	700 mmHg to 28 bar
Temperature:	depending on elastomer
Sliding speed:	up to 25 m/s
Shaft movements:	axial ± 3.0 mm radial ± 3.0 mm

* The maximum specifications for temperature, pressure and sliding speed apply in each case to independent higher operating conditions. However, this does not mean that the seal will function with all extreme conditions at the same time. If in doubt contact DEPAC.

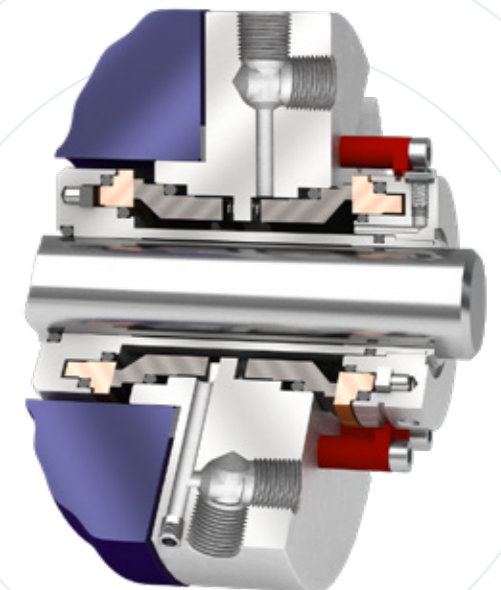
Dimensions

Shaft diameter:	25 – 200 mm 1" – 7 3/4"
	Special sizes on request

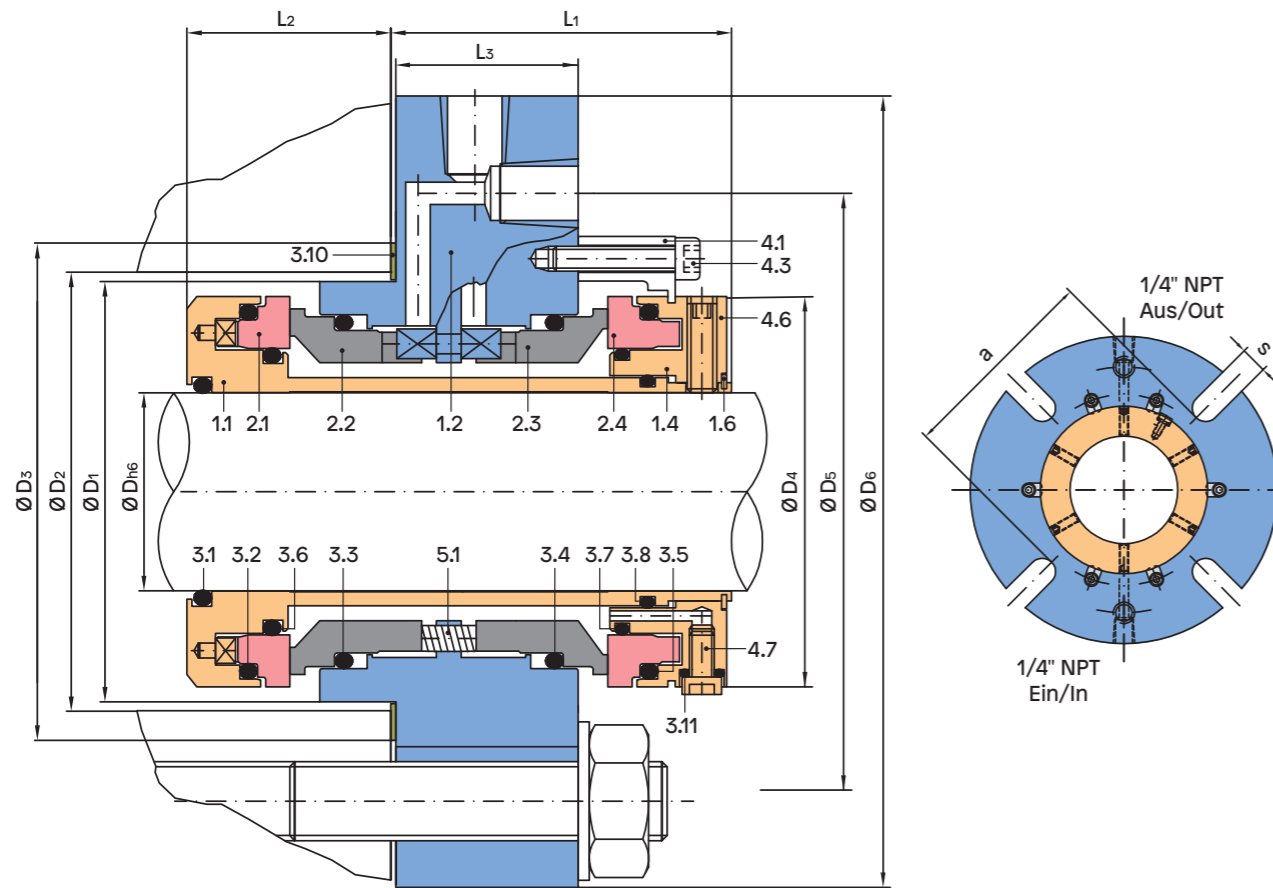
Bill of materials

Item	Description	Material
1.1	Sleeve	1.4571
1.2	Gland	1.4571
1.4	Adjusting ring	1.4571
1.6	Circlip	1.4310
2.1, 2.4	Dynamic seal face	SC/SSIC/TC
2.2, 2.3	Stationary seal face	CA/SC/SSIC/TC
3.1, 3.2, 3.3, 3.4, 3.5, 3.6, 3.7, 3.8, 3.11	O-ring	FKM, EPDM, Kalrez®, PTFE,...
3.10	Flat gasket	Klingersil® C-4300
4.1	Centering piece	Al
4.3	Cheesehead screw	A2
4.6	Threaded pin	A4
4.7	Bleed screw	A2
5.1	Spring	2.4610

Other materials on request!



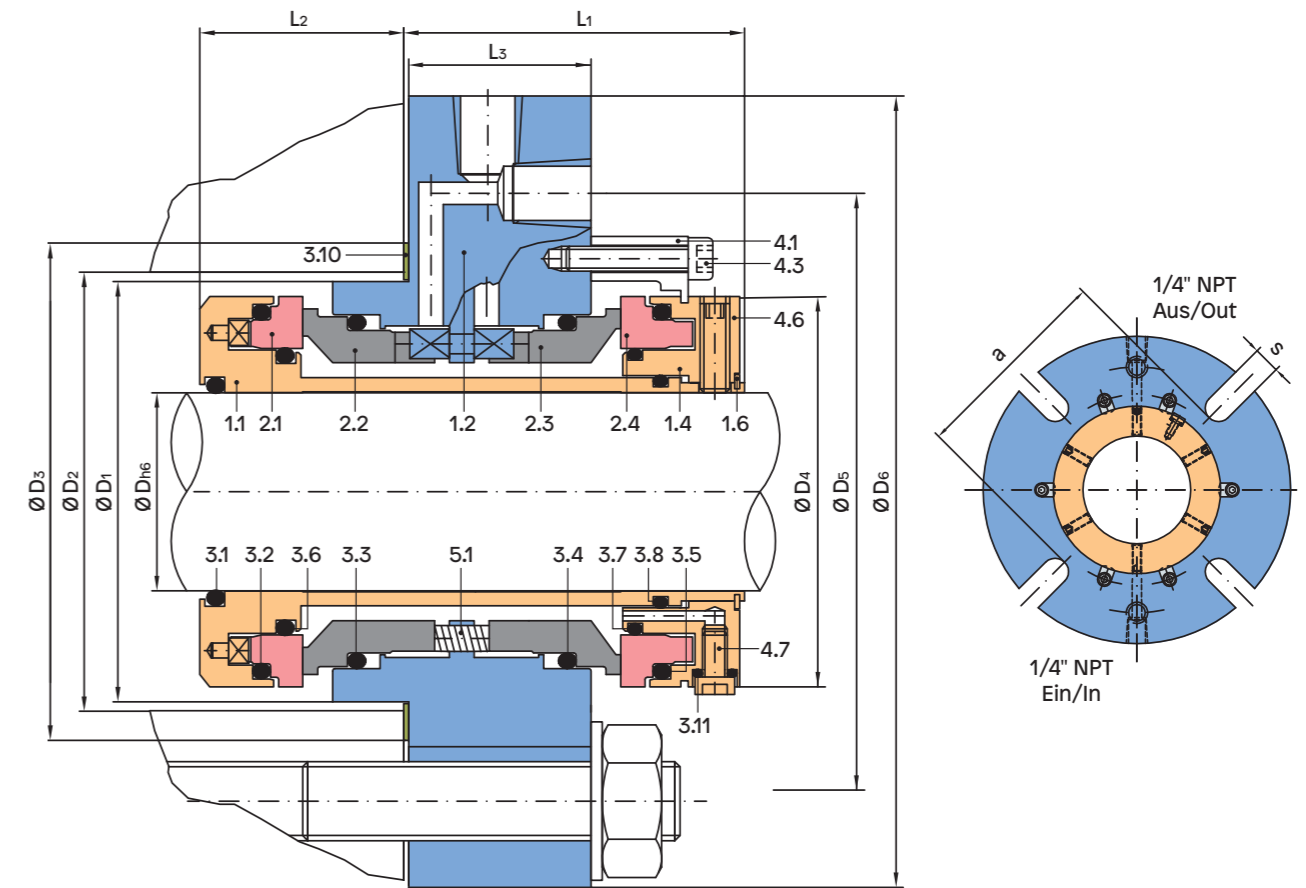
Mechanical seal Type 365



Dimension table Ø 25 – 50 mm

Dh6	D1	D2 min.	D2 max.	D3	D4	D5	D6	L1	L2	L3	a	s	O-rings DASH no.									
													3.1	3.2	3.3	3.4	3.5	3.6	3.7	3.8	3.11	
25	70	70,5	80	88	64	115	155	68,5	42,5	37,5	88	14,7	214	227	226	226	227	221	128	121	009	
28	73	73,5	83	91	67	115	155	68,5	42,5	37,5	91	14,7	216	228	226	226	228	222	130	123	009	
30	75	75,5	85	93	69	120	160	68,5	42,5	37,5	93	14,7	217	228	227	227	228	223	131	124	009	
32	77	77,5	87	95	71	120	160	68,5	42,5	37,5	95	14,7	219	229	228	228	229	223	132	125	009	
33	78	78,5	88	96	72	120	160	68,5	42,5	37,5	96	14,7	219	229	228	228	229	224	133	126	009	
35	80	80,5	90	98	74	125	165	68,5	42,5	37,5	98	14,7	221	230	229	229	230	224	134	127	009	
38	83	83,5	93	101	77	125	165	68,5	42,5	37,5	101	14,7	222	231	230	230	231	225	136	129	009	
40	85	85,5	95	103	79	130	170	68,5	42,5	37,5	103	14,7	223	232	230	230	232	226	137	130	009	
43	88	88,5	98	106	82	130	170	68,5	42,5	37,5	106	14,7	224	233	231	231	233	227	139	132	009	
45	90	90,5	100	108	84	135	175	68,5	42,5	37,5	108	14,7	225	233	232	232	233	228	140	133	009	
48	93	93,5	103	111	87	135	175	68,5	42,5	37,5	111	14,7	226	234	233	233	234	229	142	135	009	
50	95	95,5	105	113	89	140	180	68,5	42,5	37,5	113	17,5	226	235	233	233	235	229	144	137	009	

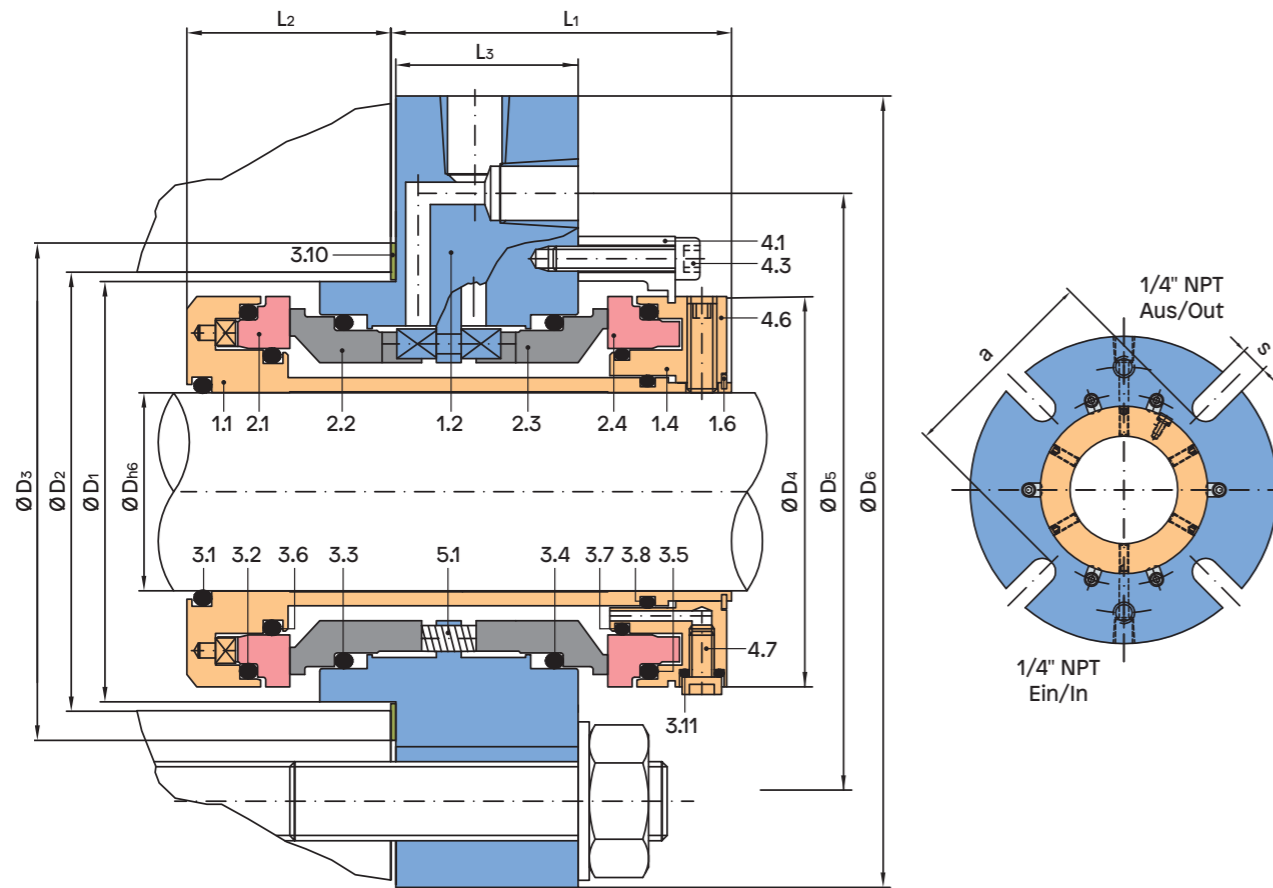
Mechanical seal Type 365



Dimension table Ø 55 – 110 mm

Dh6	D1	D2 min.	D2 max.	D3	D4	D5	D6	L1	L2	L3	a	s	O-rings DASH no.									
													3.1	3.2	3.3	3.4	3.5	3.6	3.7	3.8	3.11	
55	100	100,5	110	118	94	145	185	68,5	42,5	37,5	118	17,5	228	236	235	235	236	231	147	140	009	
60	105	105,5	115	123	99	150	190	68,5	42,5	37,5	123	17,5	229	238	237	237	238	232	150	143	009	
65	110	110,5	120	128	104	155	195	68,5	42,5	37,5	128	17,5	231	240	238	238	240	234	151	146	009	
70	115	115,5	125	133	109	160	200	68,5	42,5	37,5	133	17,5	232	241	240	240	241	235	152	149	009	
75	120	120,5	130	138	114	165	205	68,5	42,5	37,5	138	17,5	234	243	241	241	243	237	153	151	009	
80	125	125,5	135	143	119	170	210	68,5	42,5	37,5	143	17,5	236	244	243	243	244	239	153	152	009	
85	130	130,5	140	148	124	175	215	68,5	42,5	37,5	148	21,5	237	246	244	244	246	240	154	152	009	
90	135	135,5	145	153	129	180	220	68,5	42,5	37,5	153	21,5	239	247	246	246	247	242	155	153	009	
95	140	140,5	150	158	134	185	225	68,5	42,5	37,5	158	21,5	240	249	248	248	249	243	156	154	009	
100	145	145,5	155	163	139	190	230	68,5	42,5	37,5	163	21,5	242	251	249	249	251	245	157	155	009	
105	150	150,5	160	168	144	195	235	68,5	42,5	37,5	168	21,5	244	252	251	251	252	246	157	156	009	
110	155	155,5	165	173	149	200	240	68,5	42,5	37,5	173	21,5	245	254	252	252	254	248	158	156	009	

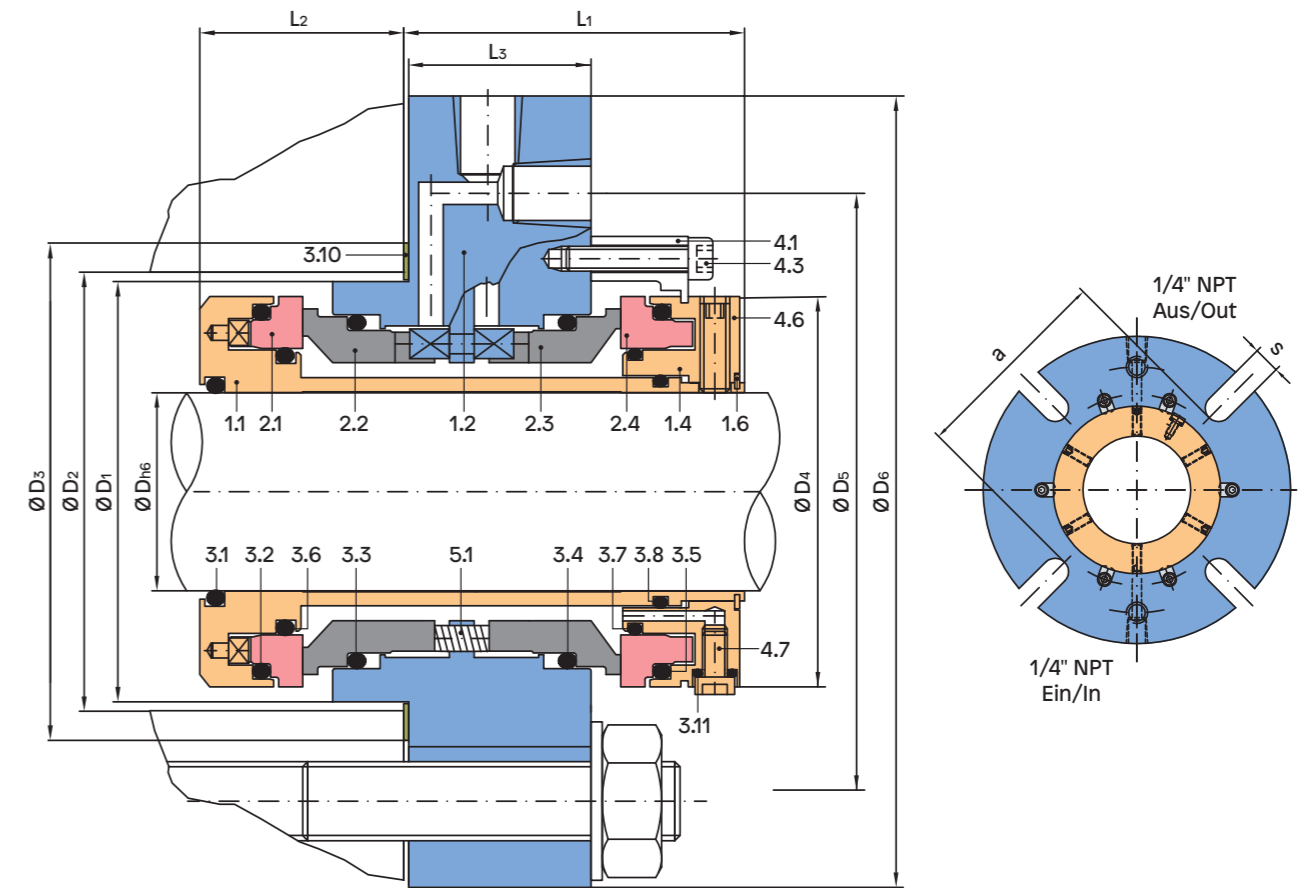
Mechanical seal Type 365



Dimension table Ø 115 – 155 mm

Dh6	D1	D2 min.	D2 max.	D3	D4	D5	D6	L1	L2	L3	a	s	O-rings DASH no.									
													3.1	3.2	3.3	3.4	3.5	3.6	3.7	3.8	3.11	
115	160	160,5	170	178	154	205	245	68,5	42,5	36	178	21,5	247	255	254	254	255	250	159	157	009	
120	165	165,5	175	183	159	210	250	68,5	42,5	36	183	21,5	248	257	255	255	257	251	160	158	009	
125	170	170,5	180	188	164	215	255	68,5	42,5	36	188	21,5	250	258	257	257	258	253	160	159	009	
130	175	175,5	185	193	169	220	260	68,5	42,5	36	193	21,5	251	259	258	258	259	254	161	159	009	
135	180	180,5	190	198	174	225	265	68,5	42,5	36	198	21,5	253	260	259	259	260	256	162	160	009	
140	185	185,5	195	203	179	230	270	68,5	42,5	36	203	21,5	255	260	260	260	260	258	163	161	009	
145	190	190,5	200	208	184	235	275	68,5	42,5	36	208	21,5	256	261	260	260	261	258	164	162	009	
150	195	195,5	205	213	189	240	280	68,5	42,5	36	213	21,5	258	262	261	261	262	259	164	163	009	
155	200	200,5	210	218	194	245	285	68,5	42,5	36	218	21,5	259	263	262	262	263	260	165	163	009	

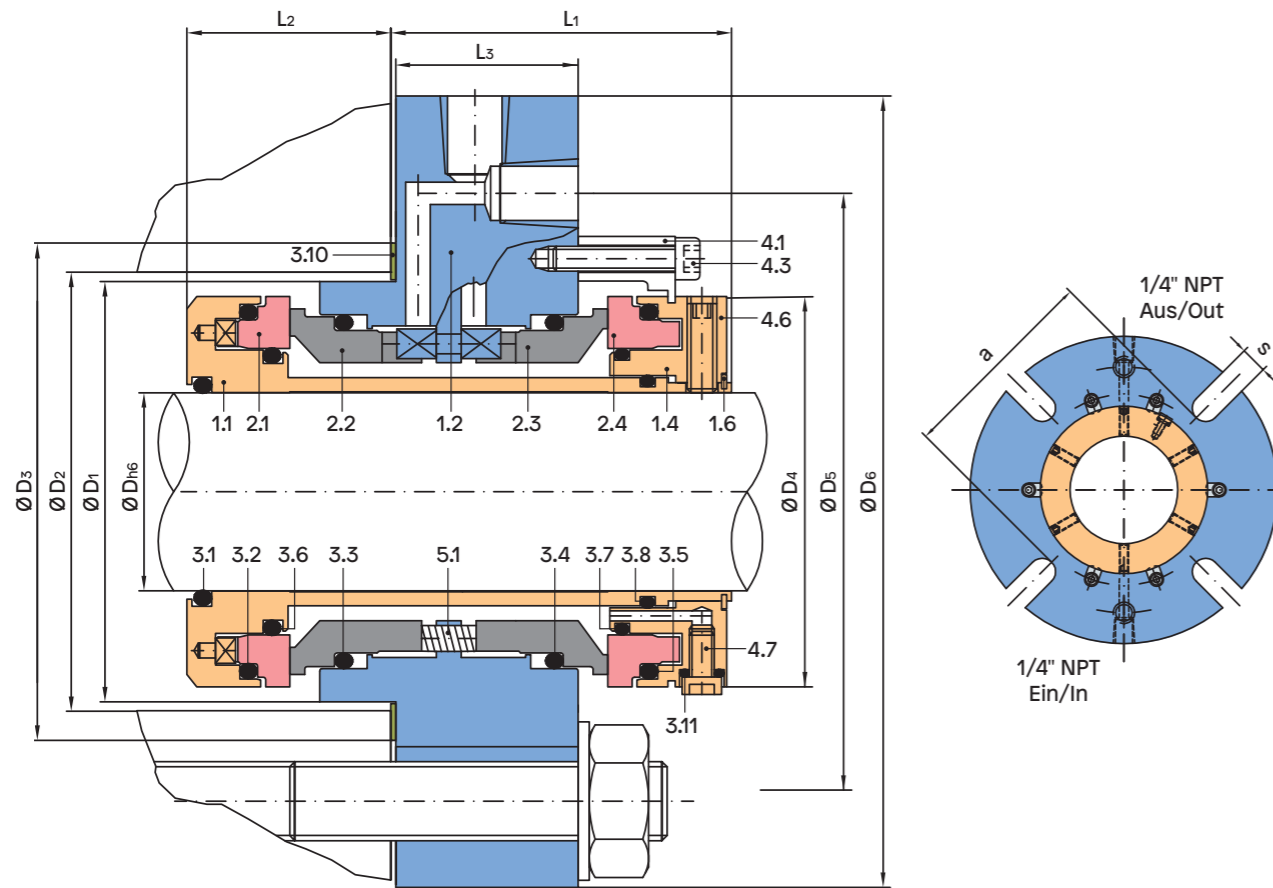
Mechanical seal Type 365



Dimension table Ø 160 – 200 mm

Dh6	D1	D2 min.	D2 max.	D3	D4	D5	D6	L1	L2	L3	a	s	O-rings DASH no.									
													3.1	3.2	3.3	3.4	3.5	3.6	3.7	3.8	3.11	
160	205	205,5	215	223	199	250	290	68,5	42,5	36	223	21,5	260	263	263	263	263	261	166	164	009	
165	210	210,5	220	228	204	255	295	68,5	42,5	36	228	21,5	260	264	264	264	264	261	167	165	009	
170	215	215,5	225	233	209	260	300	68,5	42,5	36	233	21,5	261	265	264	264	265	262	168	166	009	
175	220	220,5	230	238	214	265	305	68,5	42,5	36	238	21,5	262	266	265	265	266	263	168	167	009	
180	225	225,5	235	243	219	270	310	68,5	42,5	36	243	21,5	263	267	266	266	267	264	169	167	009	
185	230	230,5	240	248	224	275	315	68,5	42,5	36	248	21,5	264	267	267	267	267	265	170	168	009	
190	235	235,5	245	253	229	280	320	68,5	42,5	36	253	21,5	264	268	268	268	268	265	171	169	009	
195	240	240,5	250	258	234	285	325	68,5	42,5	36	258	21,5	265	269	268	268	269	266	171	170	009	
200	245	245,5	255	263	239	290	330	68,5	42,5	36	263	21,5	266	270	269	269	270	267	172	171	009	

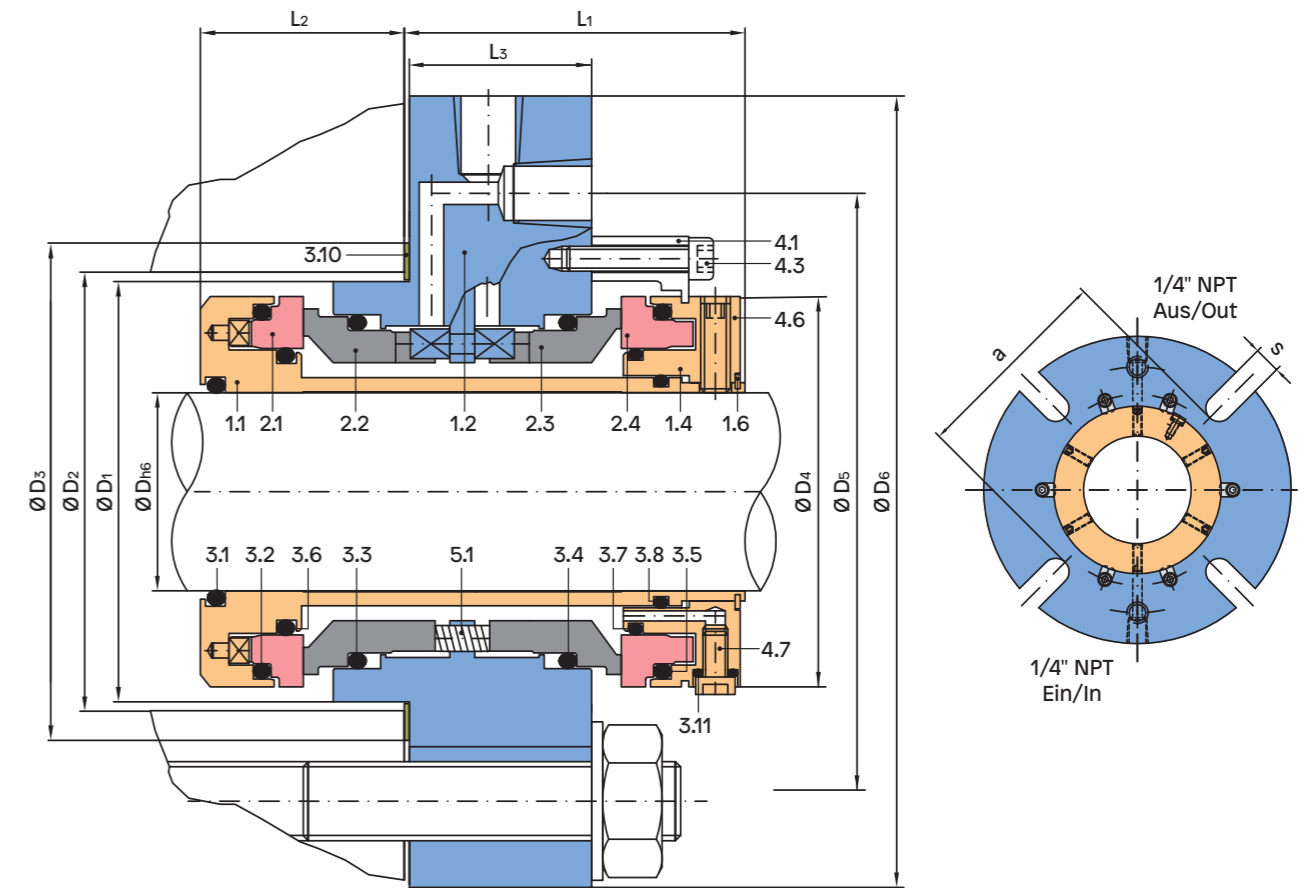
Mechanical seal Type 365



Dimension table $\varnothing 1 - 2 \frac{3}{8}$ inches

Dh6	D1	D2 min.	D2 max.	D3	D4	D5	D6	L1	L2	L3	a	s	O-rings DASH no.								
													3.1	3.2	3.3	3.4	3.5	3.6	3.7	3.8	3.11
1	2,756	2,776	3,150	3,465	2,520	4,528	6,102	2,697	1,735	1,469	3,465	0,579	214	227	226	226	227	221	128	121	009
1 1/8	2,874	2,894	3,268	3,583	2,638	4,528	6,102	2,697	1,735	1,469	3,583	0,579	216	228	226	226	228	222	130	123	009
1 1/4	3,031	3,051	3,425	3,740	2,795	4,724	6,299	2,697	1,735	1,469	3,740	0,579	219	229	228	228	229	223	132	125	009
1 3/8	3,150	3,170	3,543	3,858	2,913	4,921	6,496	2,697	1,735	1,469	3,858	0,579	221	230	229	229	230	224	134	127	009
1 1/2	3,268	3,288	3,661	3,976	3,031	4,921	6,496	2,697	1,735	1,469	3,976	0,579	222	231	230	230	231	225	136	129	009
1 5/8	3,425	3,445	3,819	4,134	3,189	5,118	6,693	2,697	1,735	1,469	4,134	0,579	223	232	231	231	232	227	139	132	009
1 3/4	3,543	3,563	3,937	4,252	3,307	5,315	6,890	2,697	1,735	1,469	4,252	0,579	225	233	232	232	233	228	140	133	009
1 7/8	3,661	3,681	4,055	4,370	3,425	5,315	6,890	2,697	1,735	1,469	4,370	0,579	226	234	233	233	234	229	142	135	009
2	3,937	3,957	4,331	4,646	3,661	5,512	7,283	2,697	1,735	1,469	4,646	0,689	228	236	235	235	236	231	147	140	009
2 1/8	3,937	3,957	4,331	4,646	3,701	5,709	7,283	2,697	1,735	1,469	4,646	0,689	228	236	235	235	236	231	147	140	009
2 1/4	4,134	4,154	4,528	4,843	3,858	5,709	7,480	2,697	1,735	1,469	4,843	0,689	229	238	237	237	238	232	150	143	009
2 3/8	4,134	4,154	4,528	4,843	3,898	5,909	7,480	2,697	1,735	1,469	4,843	0,689	229	238	237	237	238	232	150	143	009

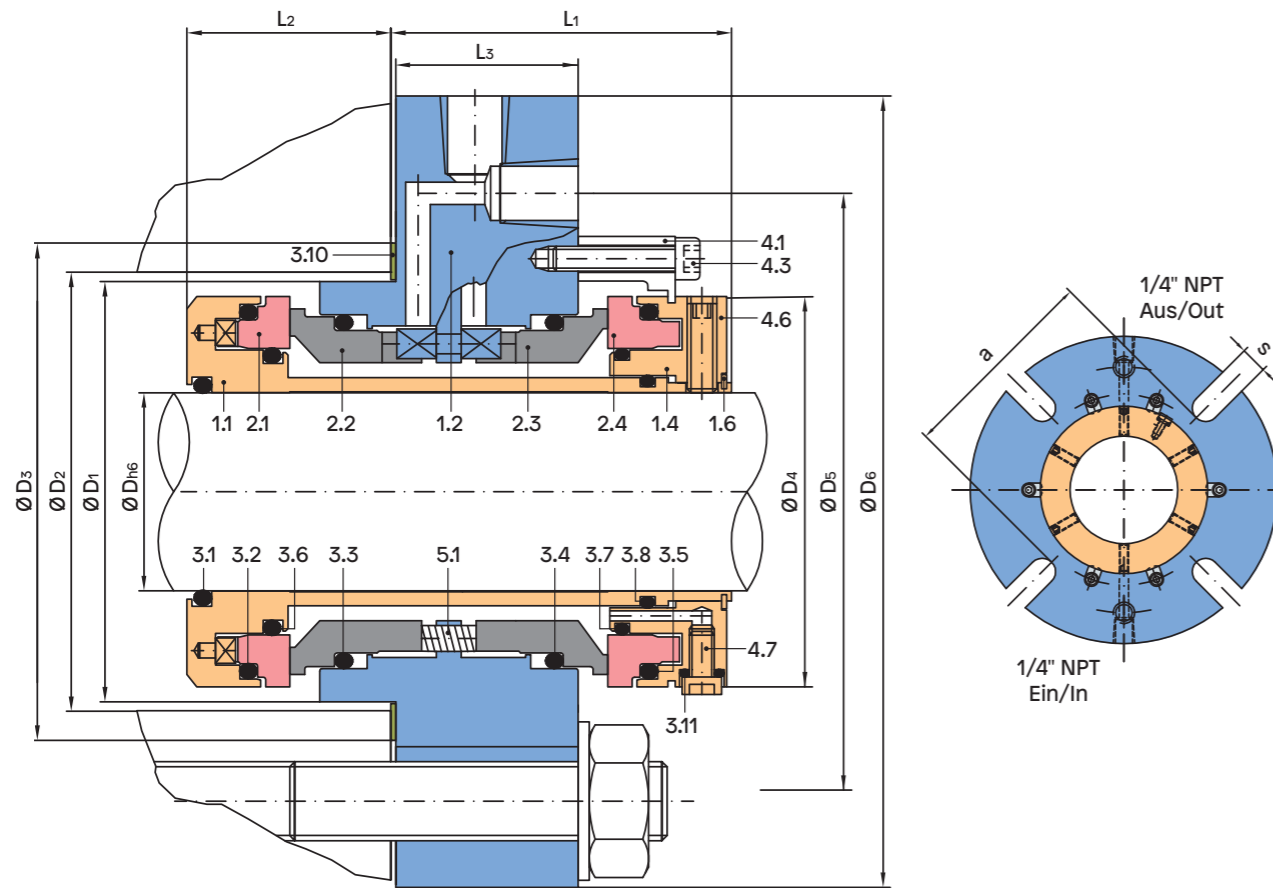
Mechanical seal Type 365



Dimension table $\varnothing 2 \frac{1}{2} - 4$ inches

Dh6	D1	D2 min.	D2 max.	D3	D4	D5	D6	L1	L2	L3	a	s	O-rings DASH no.								
													3.1	3.2	3.3	3.4	3.5	3.6	3.7	3.8	3.11
2 1/2	4,331	4,351	4,724	5,039	4,094	6,102	7,677	2,697	1,735	1,469	5,039	0,689	231	240	238	238	240	234	151	146	009
2 5/8	4,528	4,548	4,921	5,236	4,252	6,102	7,874	2,697	1,735	1,469	5,236	0,689	232	241	240	240	241	235	152	149	009
2 3/4	4,528	4,548	4,921	5,236	4,291	6,299	7,874	2,697	1,735	1,469	5,236	0,689	232	241	240	240	241	235	152	149	009
2 7/8	4,724	4,744	5,118	5,433	4,488	6,496	8,071	2,697	1,735	1,469	5,433	0,689	234	243	241	241	243	237	153	151	009
3	4,921	4,941	5,315	5,630	4,685	6,693	8,268	2,697	1,735	1,469	5,630	0,689	234	244	243	243	244	239	153	152	009
3 1/8	4,921	4,941	5,315	5,630	4,685	6,693	8,268	2,697	1,735	1,469	5,630	0,689	236	244	243	243	244	239	153	152	009
3 1/4	5,118	5,138	5,512	5,827	4,882	6,890	8,465	2,697	1,735	1,469	5,827	0,846	237	246	244	244	246	240	154	152	009
3 3/8	5,315	5,335	5,512	6,024	4,882	6,890	8,661	2,697	1,735	1,469	6,024	0,846	239	247	246	246	247	242	155	153	009
3 1/2	5,315	5,335	5,709	6,024	5,079	7,087	8,661	2,697	1,735	1,469	6,024	0,846	239	247	246	246	247	242	155	153	009
3 5/8	5,512	5,532	5,709	6,220	5,157	7,283	8,858	2,697	1,735	1,469	6,220	0,846	240	249	248	248	249	243	156	154	009
3 3/4	5,512	5,532	5,906	6,220	5,276	7,283	8,858	2,697	1,735	1,469	6,220	0,846	240	249	248	248	249	243	156	154	009
4	5,906	5,926	6,102	6,614	5,472	7,480	9,252	2,697	1,735	1,469	6,614	0,846	244	252	251	251	252	246	157	156	009

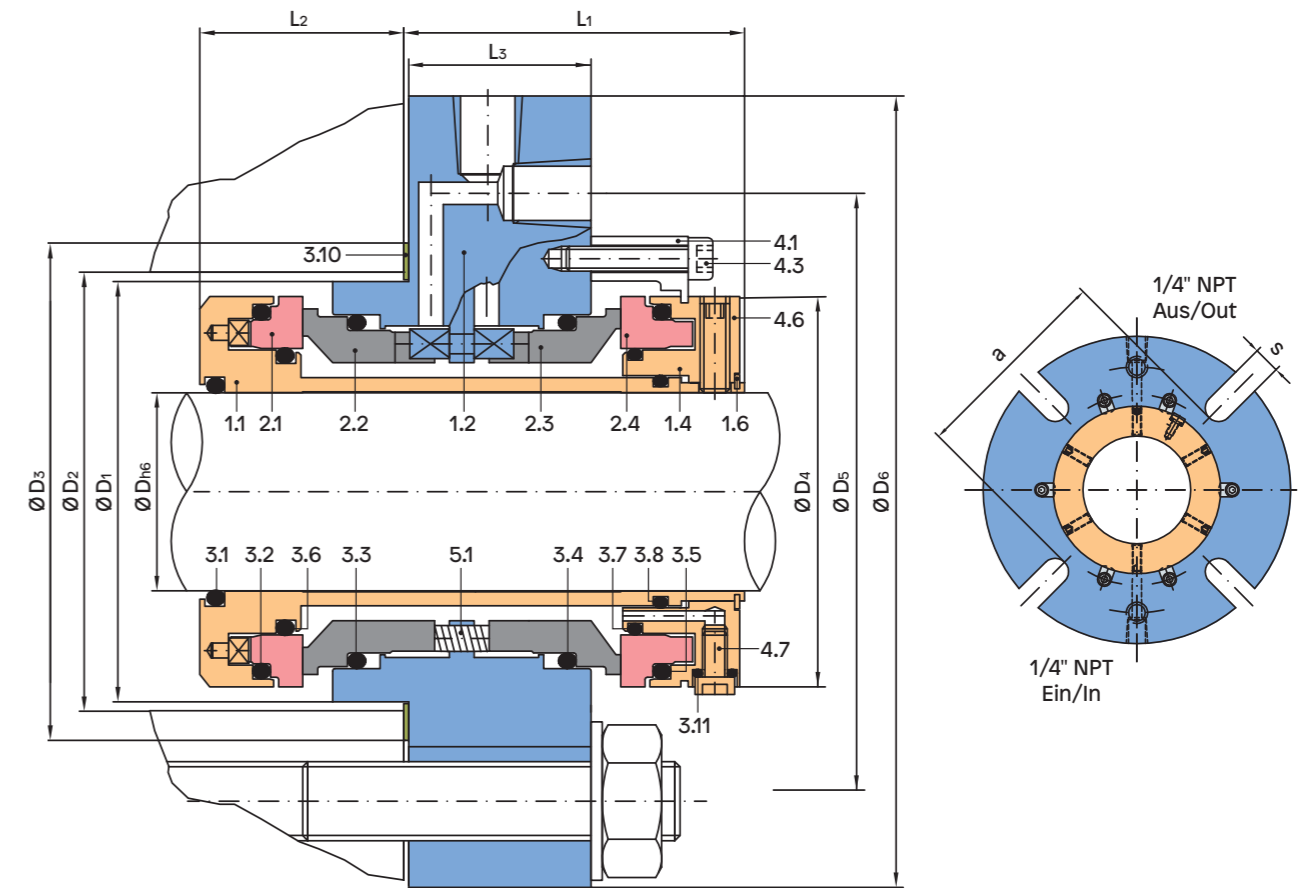
Mechanical seal Type 365



Dimension table $\varnothing 4 \frac{1}{8} - 5 \frac{3}{4}$ inches

Dh6	D1	D2 min.	D2 max.	D3	D4	D5	D6	L1	L2	L3	a	s	O-rings DASH no.									
													3.1	3.2	3.3	3.4	3.5	3.6	3.7	3.8	3.11	
4 1/8	5,906	5,926	4,531	6,614	5,669	7,677	9,252	2,697	1,735	1,469	6,614	0,846	244	252	251	251	252	246	157	156	009	
4 1/4	6,102	6,122	4,666	6,811	5,866	7,874	9,449	2,697	1,735	1,469	6,811	0,846	245	254	252	252	254	248	158	156	009	
4 1/2	6,299	6,319	4,801	7,008	6,063	8,071	9,646	2,697	1,735	1,469	7,008	0,846	247	255	254	254	255	250	159	157	009	
4 3/4	6,693	6,713	5,071	7,402	6,457	8,465	10,039	2,697	1,735	1,469	7,402	0,846	250	258	257	257	258	253	160	159	009	
5	6,890	6,910	5,205	7,598	6,457	8,465	10,236	2,697	1,735	1,469	7,598	0,846	251	259	258	258	259	254	161	159	009	
5 1/8	6,890	6,910	5,205	7,598	6,654	8,661	10,236	2,697	1,735	1,469	7,598	0,846	251	259	258	258	259	254	161	159	009	
5 1/4	7,087	7,107	5,340	7,795	6,850	8,858	10,433	2,697	1,735	1,469	7,795	0,846	253	260	259	259	260	256	162	160	009	
5 1/2	7,283	7,303	5,340	7,992	7,047	9,055	10,630	2,697	1,735	1,469	7,992	0,846	255	260	260	260	260	258	163	161	009	
5 3/4	7,677	7,697	5,745	8,386	7,441	9,449	11,024	2,697	1,735	1,469	8,386	0,846	258	262	261	261	262	259	164	163	009	

Mechanical seal Type 365



Dimension table $\varnothing 6 - 7 \frac{3}{4}$ inches

Dh6	D1	D2 min.	D2 max.	D3	D4	D5	D6	L1	L2	L3	a	s	O-rings DASH no.									
													3.1	3.2	3.3	3.4	3.5	3.6	3.7	3.8	3.11	
6	7,874	7,894	5,880	8,583	7,638	9,646	11,220	2,697	1,735	1,469	8,583	0,846	259	263	262	262	263	260	165	163	009	
6 1/4	8,071	8,091	6,015	8,780	7,835	9,843	11,417	2,697	1,735	1,469	8,780	0,846	260	263	263	263	263	261	166	164	009	
6 1/2	8,268	8,288	6,149	8,976	8,031	10,039	11,614	2,697	1,735	1,469	8,976	0,846	260	264	264	264	264	261	167	165	009	
6 3/4	8,661	8,681	6,419	9,370	8,425	10,433	12,008	2,697	1,735	1,469	9,370	0,846	262	266	265	265	266	263	168	167	009	
7	8,858	8,878	6,554	9,567	8,622	10,630	12,205	2,697	1,735	1,469	9,567	0,846	263	267	266	266	267	264	169	167	009	
7 1/4	9,055	9,075	6,689	9,764	8,819	10,827	12,402	2,697	1,735	1,469	9,764	0,846	264	267	267	267	267	265	170	168	009	
7 1/2	9,449	9,469	6,958	10,157	9,213	11,220	12,795	2,697	1,735	1,469	10,157	0,846	265	269	268	268	269	266	171	170	009	
7 3/4	9,646	9,666	7,093	10,354	9,409	11,417	12,992	2,697	1,735	1,469	10,354	0,846	266	270	269	269	270	267	172	171	009	



Mechanical seals
Packings
Hydraulic seals
Workshop
Comtec

DEPAC Anstalt
Wirtschaftspark 44, FL-9492 Eschen
T +423 373 9700, F +423 373 9719
office@depac-fl.com, www.depac.at

Your authorized DEPAC dealer:

E200836